



77640

# 7764 Magnetic Door Position Switch

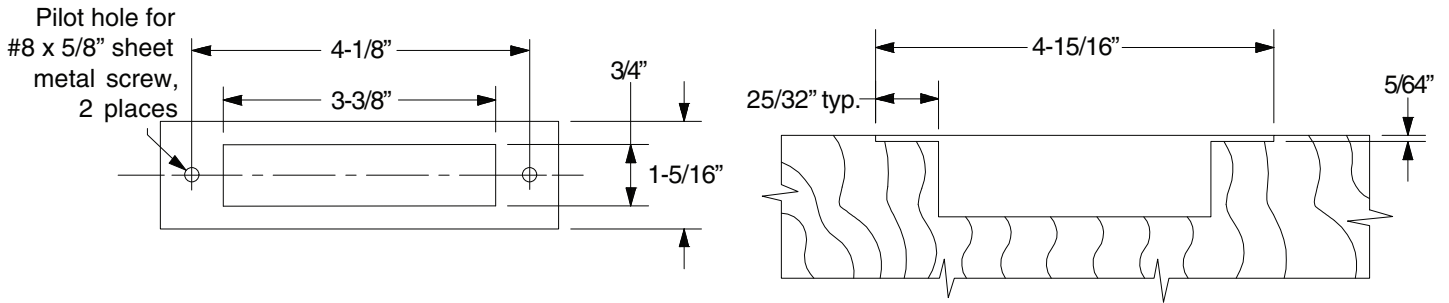
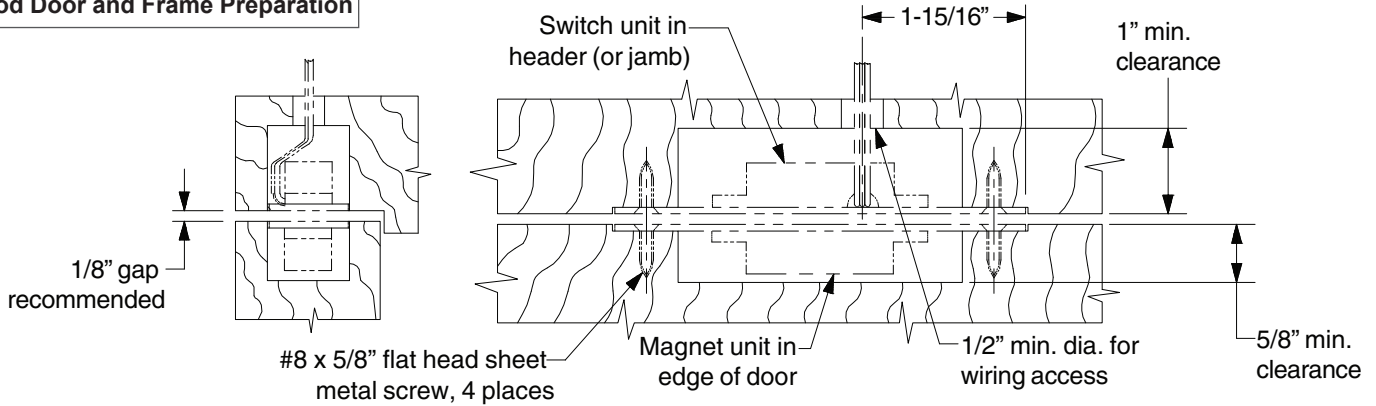


Concealed/Flush Mount

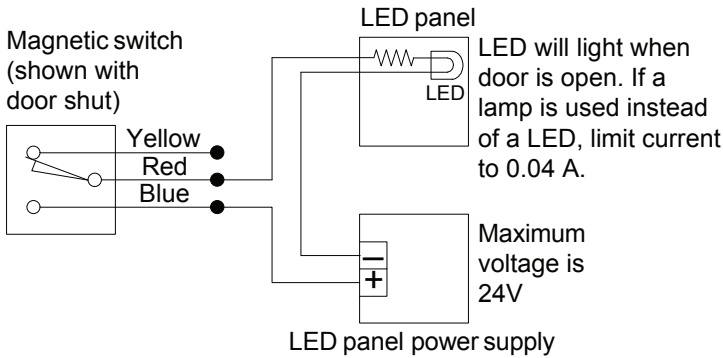
Installation Instructions

## Preparation

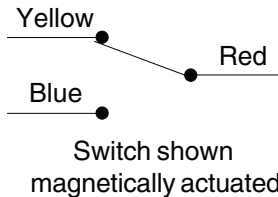
### Wood Door and Frame Preparation



### Typical Signalling Application



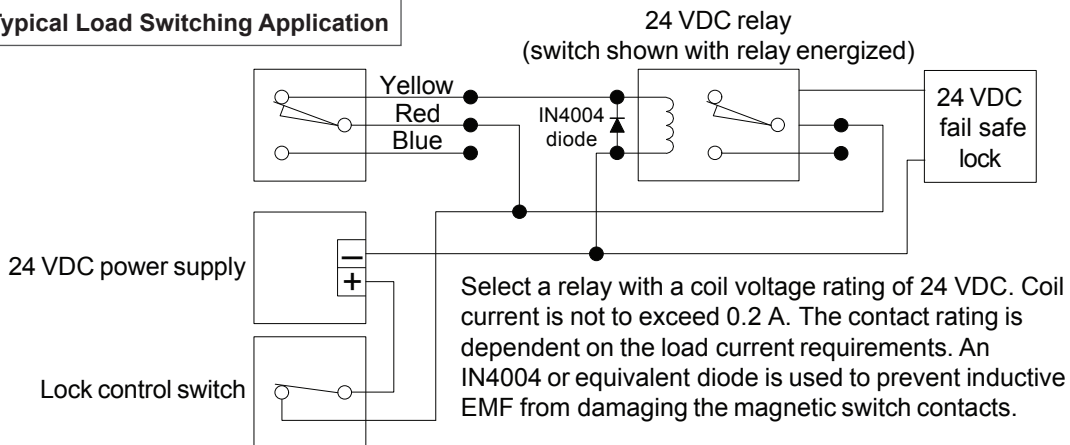
### Wiring Diagram



**⚠ WARNING ⚠**

These are signal switches with current ratings of 0.25 A. They are not intended for direct switching.

### Typical Load Switching Application



## Installation

**1** Prepare frame for mortise installation of 7764 (see opposite side of sheet for wood frame).

**3** Prepare door for magnet (see opposite side of sheet for wood door).

**NOTE**

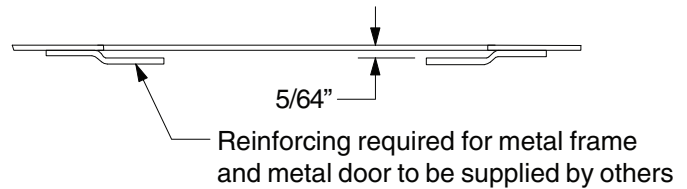
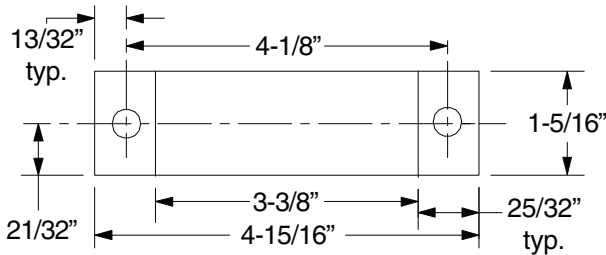
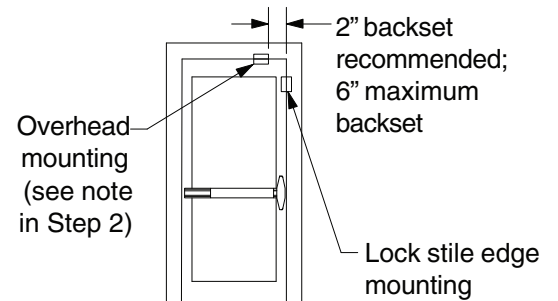
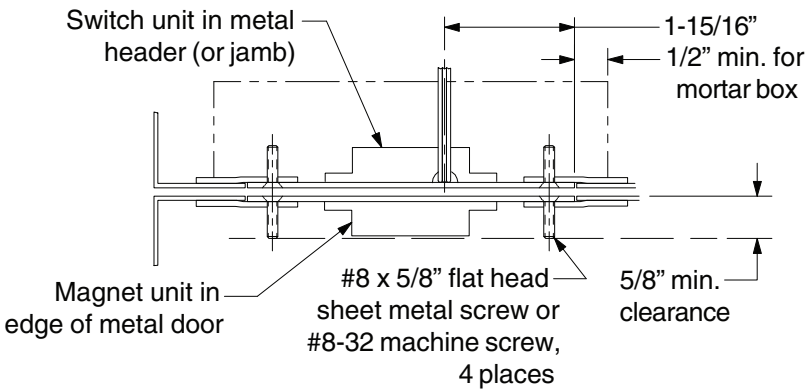
**For maximum security, install the switch in the header, 2" from the lock stile edge.**

**4** Install magnet.

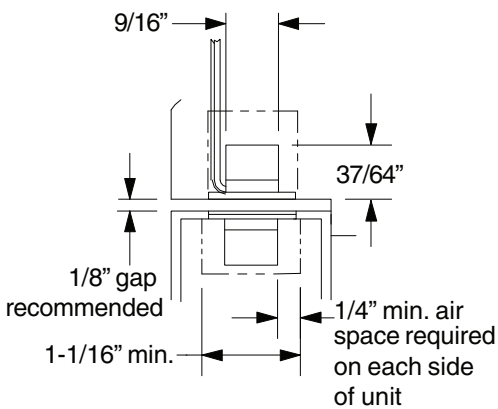
**NOTE**

**If switch does not work, check recommended gap and decrease if necessary.**

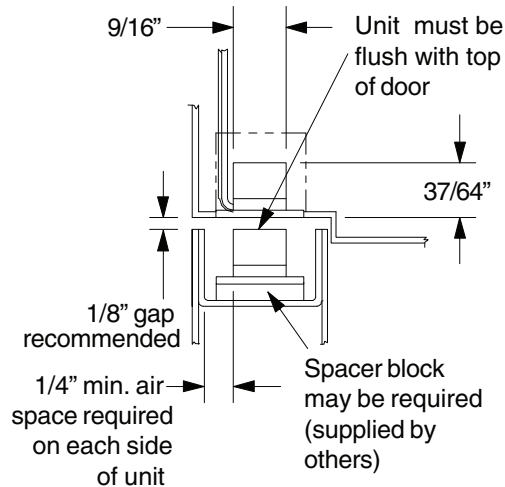
**2** Wire and install switch (see opposite side of sheet for wiring diagram).



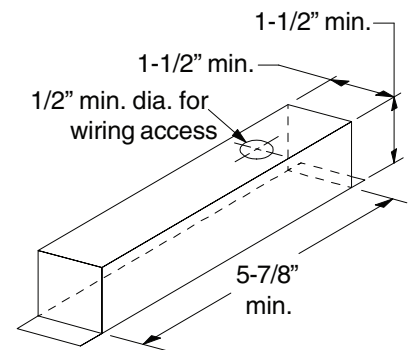
### Hollow Metal Door Installation



### Metal Door with "U" Channel Construction



### Suggested Mortar Box by Others



### Customer Service

1-877-671-7011    www.allegion.com

