

# FALCON®

19, 24, 25 and  
XX series exit  
devices

Service manual





# Contents

- 4 Introduction
- 4 How to order
- 4 Part number changes
  
- 5 19 Series
- 6 19 and F-19 rim exit device
- 8 19-V and F-19-V surface vertical rod exit device
- 10 19-V and F-19-V surface vertical rods and latch cases
- 12 19 Series: control trim, knob (911) and lever (912) for rim and vertical device
- 14 19 Series: control trim, knob (911) and lever (912) dummy for rim and vertical device
- 15 19 Series: control trim (918) for rim and vertical device
- 16 19 Series: Trident trim\* (920) and Centron trim\* (917, 930)
- 16 19 Series: optional equipment
  
- 17 24 Series
- 18 (F)24 rim exit device
- 20 (F)24-V surface vertical rod exit device
- 22 (F)24-C concealed vertical rod exit device
- 24 (F)24-V surface vertical rods and latches
- 26 (F)24-C and F-24-C-WDC-90 concealed vertical rods and latches
- 28 24-C-WDC and F-24-C-WDC-20 concealed vertical rods latches
- 30 24 Series: knob (711) and lever (712) trim—rim and vertical device
- 32 24 Series: knob (711) and lever (712) trim—concealed device
- 34 24 Series: knob (711) and lever (712) dummy trim for rim, vertical and concealed device
- 36 24 Series: Athena (715) pull and Delta pull (717, 718) trim for rim and vertical device
- 37 24 Series: Delta pull (717, 718) trim for concealed devices
- 38 24 Series: Delta (718) trim for rim and vertical device
- 39 24 Series: Delta (718) trim for concealed device
- 40 24 Series: control pull trim (710) for rim and vertical device
- 41 24 Series: control thumbpiece (710) trim for rim and vertical device
- 42 24 Series: Delta thumbpiece (718) trim for rim and vertical device
- 43 24 Series: Delta thumbpiece (718) trim for concealed device
- 44 24 Series: turn lever (719) trim for surface vertical device
  
- 45 24 Series: turn lever (719) trim for concealed vertical device
  
- 46 25 Series
- 47 (F)25 rim exit device
- 49 25-V surface vertical rod exit device
- 51 (F)25-V surface vertical rods and latches
- 53 (F)25-C concealed vertical rod exit device
- 55 (F)25-C and F-25-C-WDC-90 concealed vertical rods and latches
- 57 25-C-WDC and F-25-C-WDC-20 concealed vertical rods and latches
- 59 (F)25-M mortise exit device
- 61 25 Series trim: lever (510), vandal resistant (vr) lever (511), knob (513)
- 63 25 Series trim: lever (510), knob (513)
- 65 25 Series trim: thumbpiece (512)
- 67 25 Series trim: thumbpiece (512)
- 69 25 Series trim: delta pull
- 70 25 Series trim: FSA/FSE, electric lock/unlock
- 71 24/25 Series channel cover plate options
- 72 24/25 Series electrical options
- 74 (F)25-R-L-2 double cylinder option
- 75 24/25 Series miscellaneous kits and parts
- 77 Refill parts/packages
  
- 78 XX Series
- 79 XX-rim exit device
- 80 F-XX-rim exit device
- 81 (F)XX-rim center case
- 82 XX-V surface vertical rod exit device
- 83 F-XX-V surface vertical rod exit device
- 84 (F)XX-V surface vertical rods and latches
- 85 XX-C concealed vertical rod exit device
- 86 F-XX-C concealed vertical rod exit device
- 87 (F)XX-C concealed vertical rods and latches
- 88 (F)XX-C concealed vertical top latches and plates
- 89 XX-M mortise exit device
- 90 F-XX-M mortise exit device
- 91 (F)XX-M mortise lock
  
- 92 Strikes
  
- 93 Mullions





## Introduction

# Introduction

This manual contains a listing of replaceable parts and assemblies for the 19, 24, 25 and XX Series exit devices. All products listed meet ANSI A156.3 Grade 1 standards.

## How to order

Some parts are sold separately. Other parts are available as part of a kit or multiple quantity package. For the best possible service when ordering replacement parts or assemblies, please provide the following information:

- Part number or assembly number
- Description
- Quantity needed
- Finish desired (available finishes shown below)

| <b>BHMA</b> | <b>US</b> | <b>Finish description</b>          |
|-------------|-----------|------------------------------------|
| 605         | US3       | Brass, bright                      |
| 606         | US4       | Brass, satin                       |
| 612         | US10      | Bronze, satin                      |
| 613         | US10B     | Brass, satin, oxidized, oil rubbed |
| 619         | US15      | Satin Nickel Plated, clear-coated  |
| 622         | US19      | Dull Black, painted                |
| 625         | US26      | Chromium, bright                   |

| <b>BHMA</b> | <b>US</b> | <b>Finish description</b> |
|-------------|-----------|---------------------------|
| 626         | US26D     | Chromium, satin           |
| 628         | US28      | Anodized Aluminum         |
| 629         | US32      | Stainless Steel, polished |
| 630         | US32D     | Stainless Steel, satin    |
| 689         | SP28      | Lacquer Sprayed Aluminum  |
| 695         | SP313     | Sprayed Duranodic         |
| 710         | 313AN     | Anodized Duranodic        |

## Part number changes

This manual reflects the product as sold in May 2009. Because of changes to the product and/or manufacturing processes, part numbers may change.

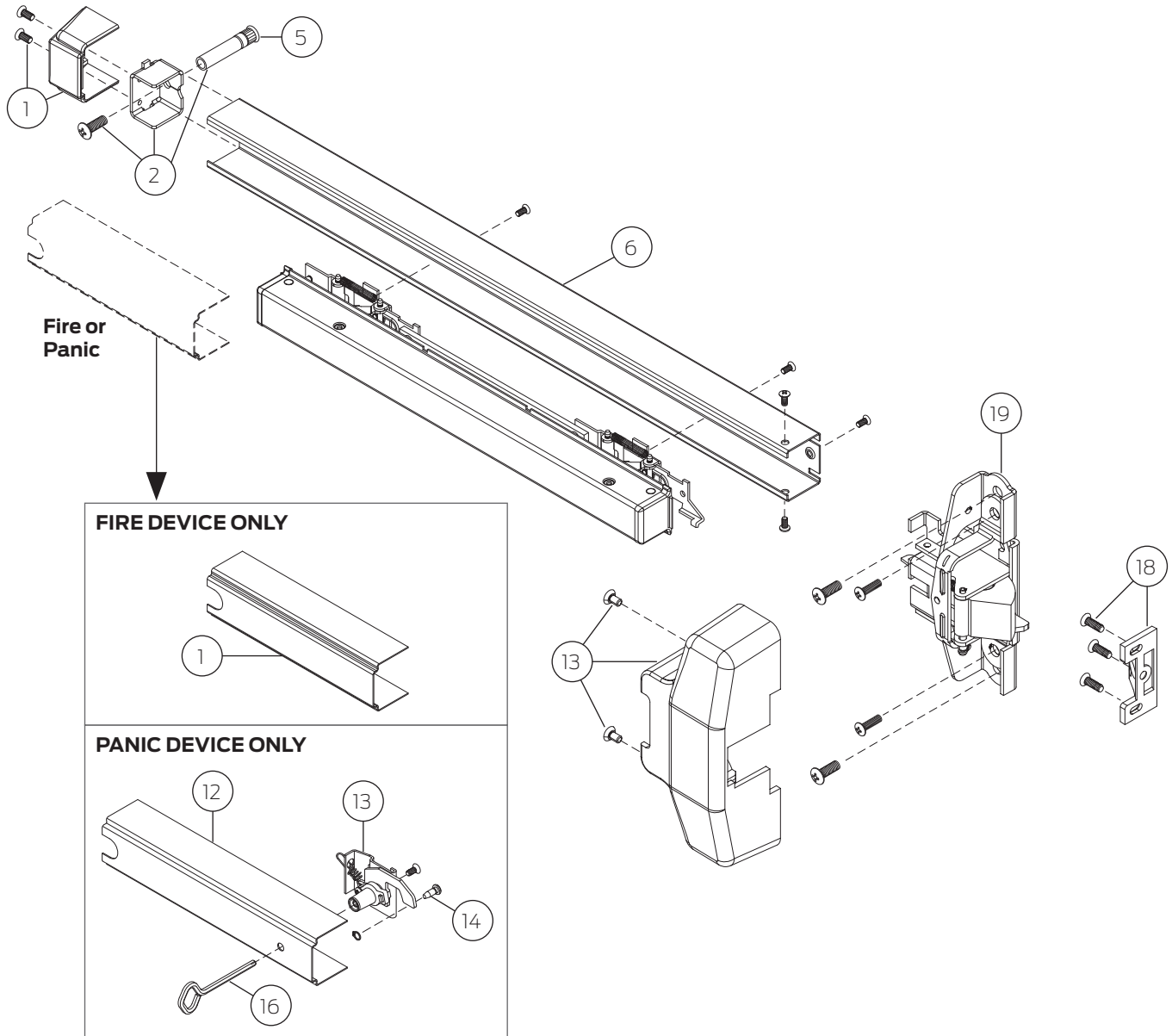


# 19 Series

- 6 19 and F-19 rim exit device
- 8 19-V and F-19-V surface vertical rod exit device
- 10 19-V and F-19-V surface vertical rods and latch cases
- 12 19 Series: control trim, knob (911) and lever (912) for rim and vertical device
- 14 19 Series: control trim, knob (911) and lever (912) dummy for rim and vertical device
- 15 19 Series: control trim (918) for rim and vertical device
- 16 19 Series: Trident trim\* (920) and Centron trim\* (917, 930)
- 16 19 Series: optional equipment

# 19 and F-19 rim exit device

## Fire and panic



## 19 Series

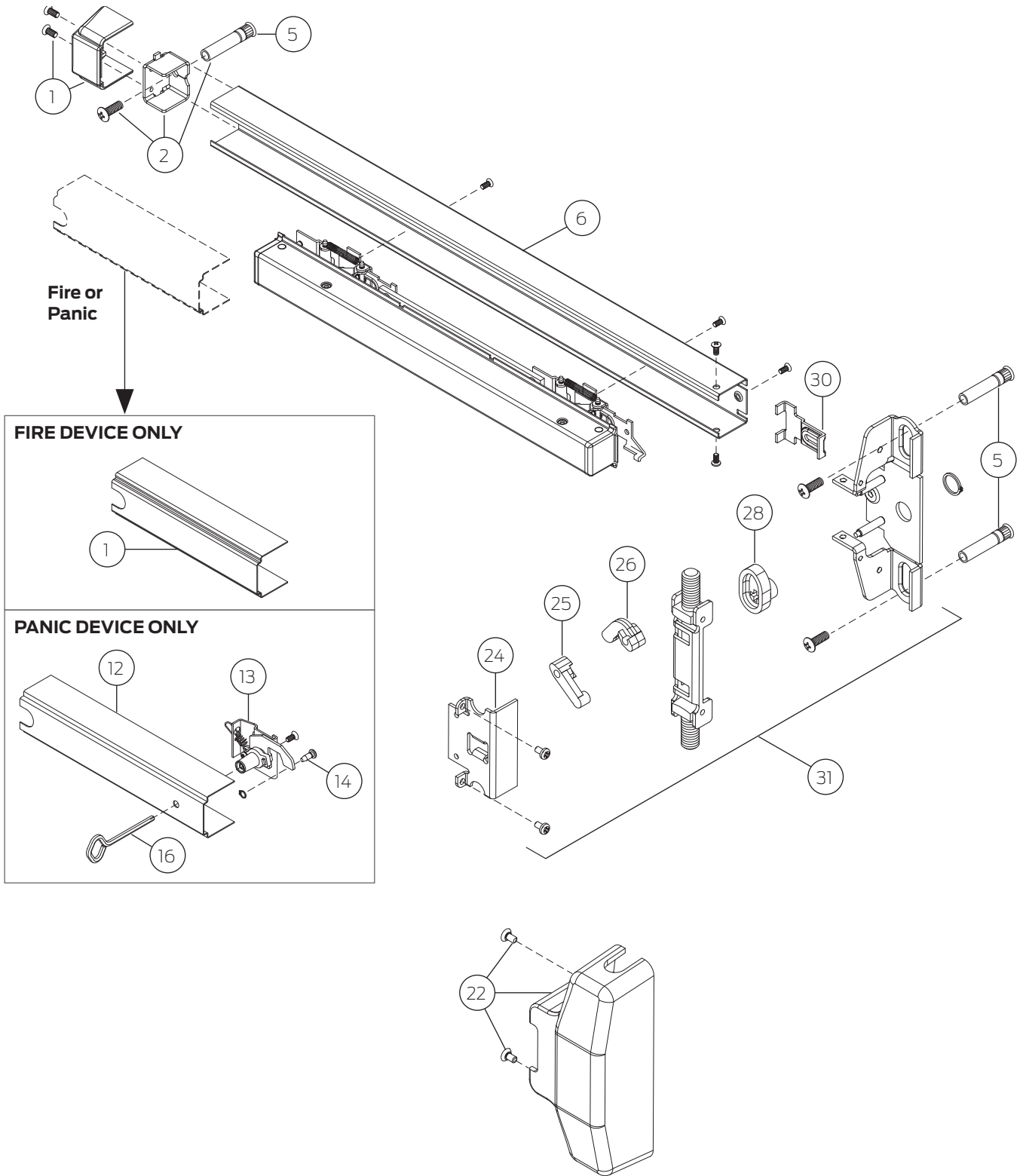
| No. | Qty. | Part no. | Description  | Notes |
|-----|------|----------|--|-------|
| 1   | 1    | 650343   | 19 Channel End Cap Kit (with screws)                                       |       |
| 2   | 1    | 650320   | 19 End Cap Mounting Bracket with SNB                                       |       |
| 5   | 1    | 4122     | Through bolt, package of 1, includes machine screw, 1/2" - 20 x 3/4" PPHMS | A     |
| 6   | 1    | 4107     | 19 Channel 3' Door   | A     |
|     | 1    | 4108     | 19 Channel 4' Door   | A     |
| 11  | 1    | 650360   | F-19 Channel Cover Plate 3'  | A     |
|     | 1    | 650361   | F-19 Channel Cover Plate 4'  |       |
| 12  | 1    | 650297   | 19 Panic Hex Dogging Channel Cover, 4'                                     | A     |
|     | 1    | 650303   | 19 Panic Hex Dogging Channel Cover 3'                                      | A     |
| 13  | 1    | 610480   | 19 Panic Dogging Housing   |       |
| 14  | 1    | 060110   | 19 Panic Dogging Pin (package of 10)                                       |       |
| 16  | 1    | 060109   | 19 Panic Hex Dogging Key 7/32" (package of 10)                             |       |
| 18  | 1    | F570     | F570 Strike (US19)   |       |
| 19  | 1    | 650307   | 19-R Center Case Assembly  |       |
|     |      | 650374   | F-19-R Center Case Assembly  |       |
| 20  | 1    | 650384   | 19-R Center Case Cover Kit (with screws)                                   |       |
| *   | 1    | 060123   | Electric Option Dogging Screw (package of 10)                              |       |
| *   | 1    | 060124   | K/L/TL Trim Lock Nut (package of 10)                                       |       |
| *   | 1    | 650328   | 19-R Mounting Package  |       |
| *   | 1    | 650329   | F-19-R Mounting Package  |       |

\* Item(s) not shown

A Specify by finish: US32D or SP28/SP313

# 19-V and F-19-V surface vertical rod exit device

## Panic and fire



## 19 Series

| No. | Qty. | Part no. | Description   | Notes |
|-----|------|----------|---|-------|
| 1   | 1    | 650343   | 19 Channel End Cap Kit (with screws)  |       |
| 2   | 1    | 650320   | 19 End Cap Mounting Bracket with SNB  |       |
| 5   | 1    | 4122     | Through bolt, package of 1, includes machine screw (1/2" - 20 x 3/4" PPHMS) | A     |
| 6   | 1    | 4107     | 19 Channel 3' Door  | A     |
|     | 1    | 4108     | 19 Channel 4' Door  | A     |
| 11  | 1    | 650360   | F-19 Channel Cover Plate 3'   | A     |
|     | 1    | 650361   | F-19 Channel Cover Plate 4'   | A     |
| 12  | 1    | 650297   | 19 Panic Hex Dogging Channel Cover 4'                                       | A     |
|     | 1    | 650303   | 19 Panic Hex Dogging Channel Cover 3'                                       | A     |
| 13  | 1    | 610480   | 19 Panic Dogging Housing  |       |
| 14  | 1    | 060110   | 19 Panic Dogging Pin (package of 10)  |       |
| 16  | 1    | 060109   | 19 Panic Hex Dogging Key 7/32" (package of 10)                              |       |
| 22  | 1    | 650385   | 19-V Center Case Cover Kit (with screws)                                    |       |
| 25  | 1    | 650392   | 19-V Center Case Slidebar Lever   |       |
| 26  | 1    | 650391   | 19-V Center Case Drawbar Lever  |       |
| 28  | 1    | 650393   | 19-V Center Case Retractor Cam  |       |
| 30  | 1    | 650390   | 19-V Drawbar  |       |
| 31  | 1    | 650308   | 19-V Center Case LHR  |       |
|     | 1    | 650309   | 19-V Center Case RHR  |       |
| *   | 1    | 650330   | 19-V Mounting package   |       |
| *   | 1    | 650331   | F-19-V Mounting package   |       |

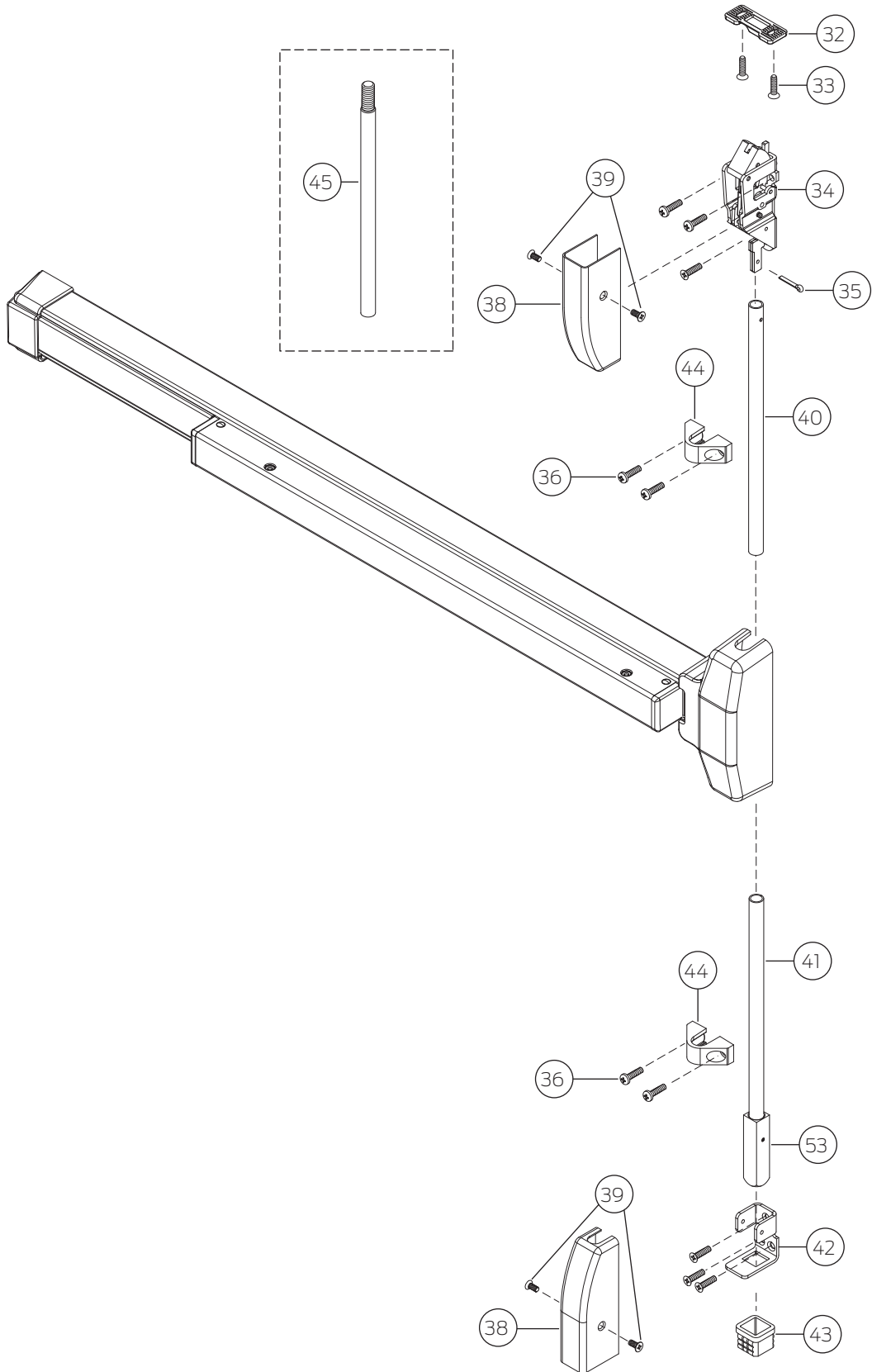
\* Item(s) not shown

A Specify by finish: US32D or SP28/SP313

19 Series

19-V and F-19-V surface vertical rods and latch cases

Panic and fire





## 19 Series

| No. | Qty. | Part no. | Description                                 | Notes |
|-----|------|----------|---|-------|
| 32  | 1    | 3788     | Vertical Rod Top Strike                     | *     |
| 33  | 2    | 660002   | #10 x 1 ¼" FPHSMS                           |       |
| 34  | 1    | 650389   | 19-V Top Latch Case                         |       |
| 35  | 1    | 060111   | ½" x 1" Cotter Key package of 10            |       |
| 36  | 1    | 060114   | Rod Guide Screws package of 10              |       |
| 37  | 1    | 060113   | Latch Screw package of 10                   |       |
| 38  | 2    | 650388   | 19-V Latch Case Cover Kit (with screws)     | A     |
| 39  | 1    | 650337   | 19-V Latch Case Cover Mounting package of 4 |       |
| 40  | 1    | 4286     | 19 Top Rod                                  |       |
| 41  | 1    | 4288     | 19 Bottom Rod                               |       |
| 42  | 1    | 650387   | Bottom Bolt Guide (screws not included)     |       |
| 43  | 1    | 2130     | Vertical Rod Bottom Strike                  |       |
| 44  | 2    | 650386   | Rod Guide Kit (with screws)                 |       |
| 45  | 1    | 650006   | 19/24/25/XX-V Extension Rod 12"             | A     |
| 45  | 1    | 650007   | 19/24/25/XX-V Extension Rod 24"             | A     |
| 45  | 1    | 650008   | 19/24/25/XX-V Extension Rod 36"             | A     |
| 53  | 1    | 610045   | (F)19-V Bottom Bolt Assembly                |       |

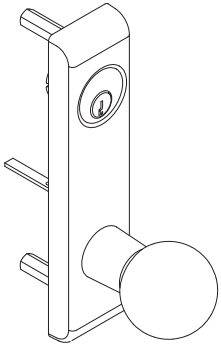
\* For Flush Transom applications, specify part number 4215-019 angle bracket

A Specify by finish: US32D or SP<sup>28</sup>/SP313

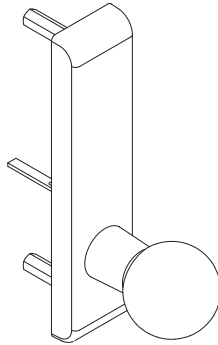
19 Series

19 Series: control trim, knob (911) and lever (912) for rim and vertical device

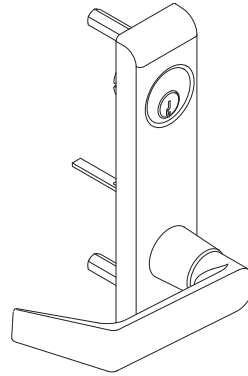
911K, 911K-NL, 912L-BE and 912L-NL



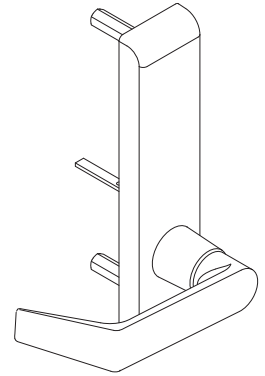
911K, 911K-NL



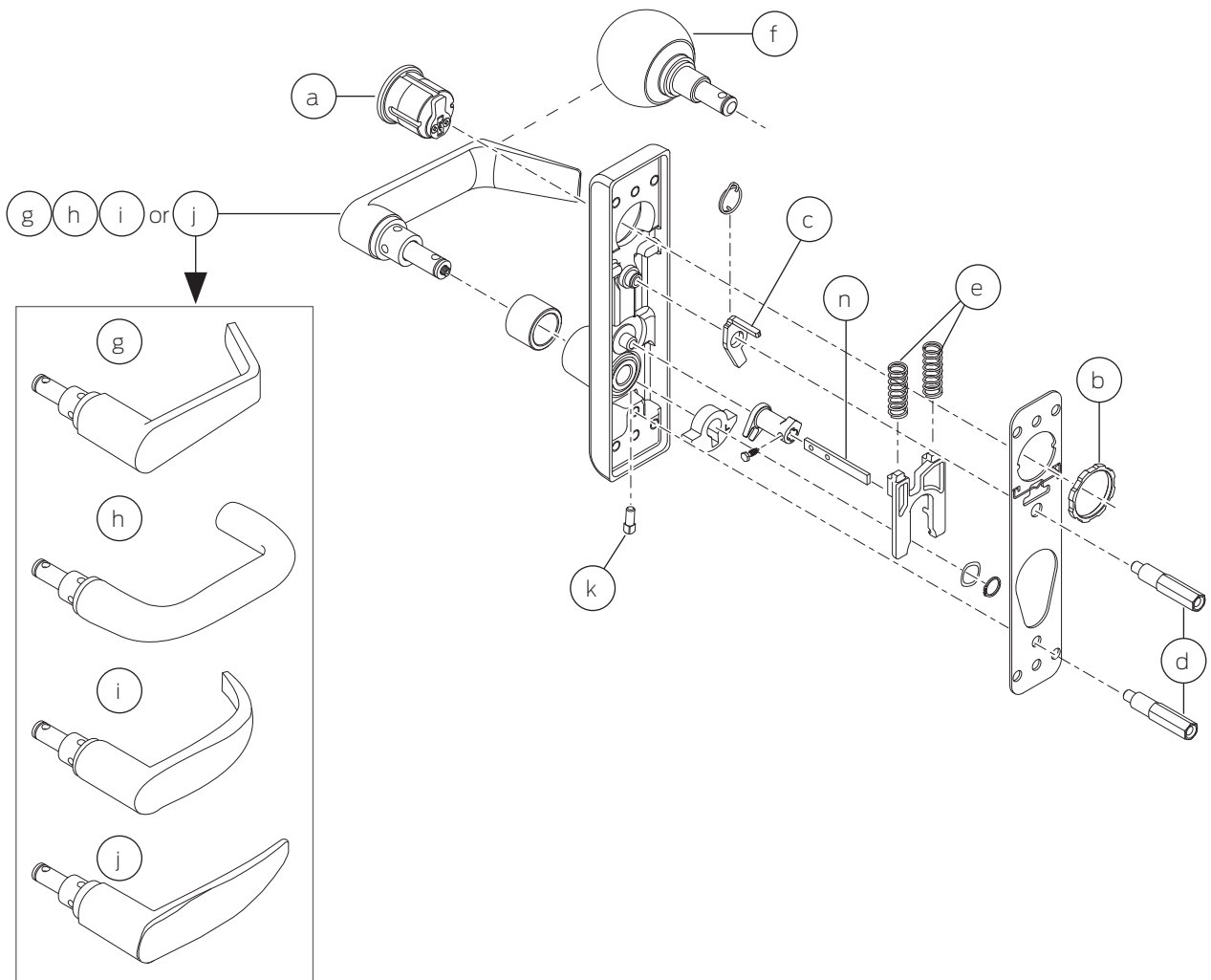
911K-BE



912L, 912L-NL



912L-BE



## 19 Series

| No. | Qty. | Part no. | Description   | Notes |
|-----|------|----------|---|-------|
| a   | 1    | 986      | 1 ¼ " Mortise Cylinder (US3, US4, US10, US10B, US26, US32, US32D) | A     |
| b   | 1    | 050526   | Cylinder Locknut package  |       |
| c   | 1    | 650314   | 700/900 Locking Plate   |       |
| d   | 2    | 4270     | 900 Series Hex Stud   |       |
| e   | 1    | 661565   | 700/900 Series Lever Actuator Spring                              |       |
|     | 1    | 661587   | 700/900 Series Knob Actuator Spring                               |       |
| f   | 1    | 600298   | 711 Knob Assembly   | A     |
| g   | 1    | 600299   | 712 Dane Lever  | A     |
| h   | 1    | 600300   | 712 Suro Lever  | A     |
| i   | 1    | 600301   | 712 Quantum Lever   | A     |
| j   | 1    | 600337   | 712 Avalon Lever  | A     |
| k   | 1    | 600283   | Shear Pin, package of 5   |       |
| n   | 1    | 650371   | Tailpiece package 1 ¾ " Door                                      |       |
|     | 1    | 650372   | Tailpiece package 2 ¼ " Door                                      |       |

A Specify by finish shown

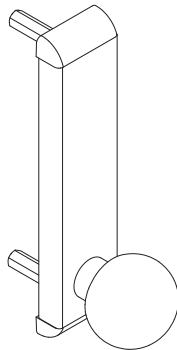
### Specifications:

|                   |              |
|-------------------|--------------|
| Escutcheon:       | 1 ¾" x 7 ¼"  |
| Knob Projection:  | 4"           |
| Lever Projection: | Dane 2 ¼"    |
|                   | Quantum 3 ⅛" |
|                   | Suro 2 ⅜"    |
|                   | Avalon 3 ¼"  |

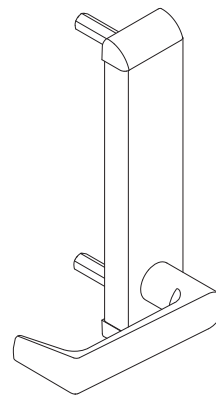
**19 Series**

19 Series: control trim, knob (911) and lever (912) dummy for rim and vertical device

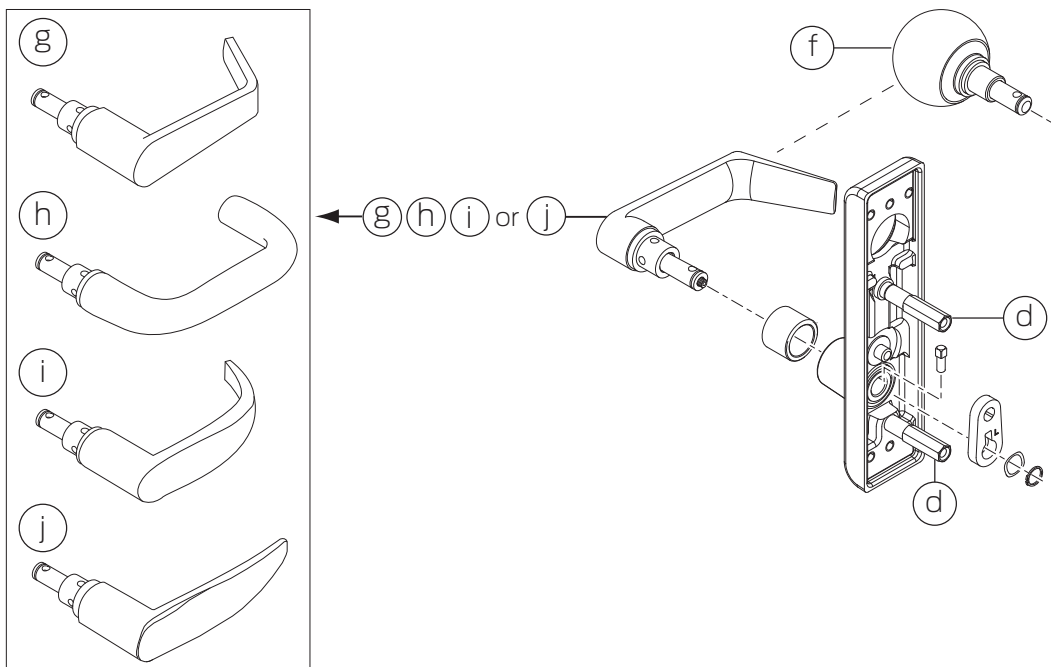
**911K-DT and 912L-DT**



**911K-DT**



**912L-DT**



| No. | Qty. | Part no. | Description         | Notes |
|-----|------|----------|---------------------|-------|
| d   | 2    | 4270     | 900 Series Hex Stud |       |
| f   | 1    | 600298   | 711 Knob Assembly   | A     |
| g   | 1    | 600299   | 712 Dane Lever      | A     |

| No. | Qty. | Part no. | Description       | Notes |
|-----|------|----------|-------------------|-------|
| h   | 1    | 600300   | 712 Sutro Lever   | A     |
| i   | 1    | 600301   | 712 Quantum Lever | A     |
| j   | 1    | 600337   | 712 Avalon Lever  | A     |

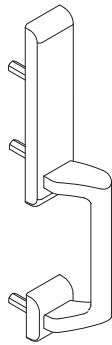
A Specify by finish shown

**Specifications:**

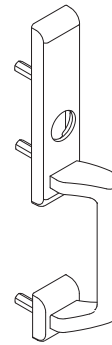
|                   |                 |
|-------------------|-----------------|
| Escutcheon:       | 1 3/4" x 7 1/4" |
| Knob Projection:  | 4"              |
| Lever Projection: | Dane 2 1/4"     |
|                   | Quantum 3 1/8"  |
|                   | Sutro 2 13/16"  |
|                   | Avalon 3 1/4"   |

19 Series: control trim (918) for rim and vertical device

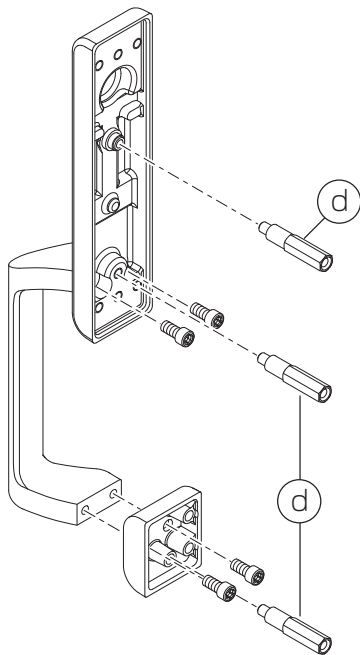
918DT and 918NL



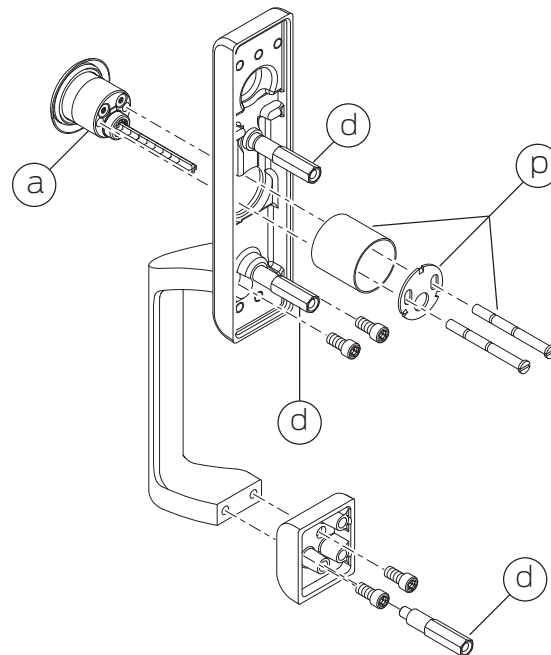
918DT



918NL



918DT



918NL

| No. | Qty. | Part no. | Description   | Notes |
|-----|------|----------|---|-------|
| a   | 1    | 951      | Rim Cylinder (US3, US4, US10, US10B, US26, US32, US32D) | A     |
| d   | 3    | 4270     | 900 Series Hex Stud                                     |       |
| p   | 1    | 600166   | 918NL Cylinder Mounting package                         |       |

A Specify by finish shown

**Specifications:**

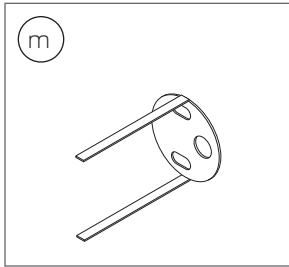
Escutcheon: 1 3/4" x 7 1/4"  
 Projection: 2"  
 Overall Length: 13"

**19 Series**

19 Series: Trident trim\* (920) and Centron trim\* (917, 930)

**Trident: 920DT, 920NL**

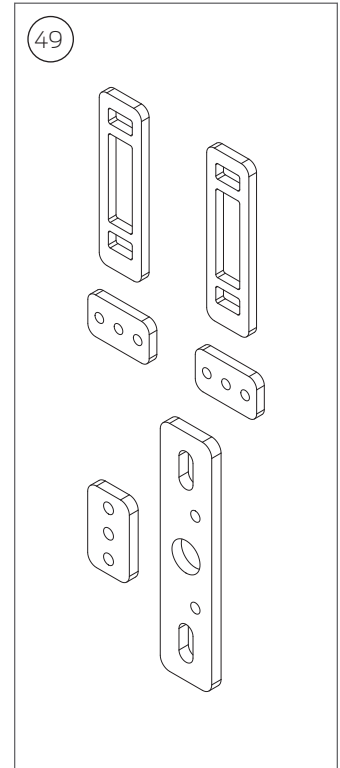
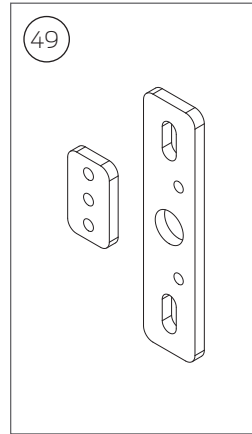
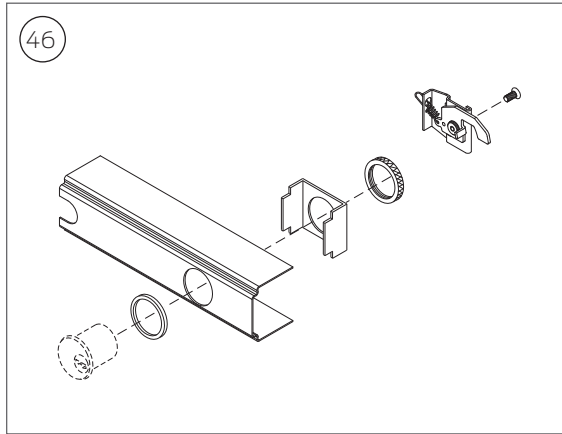
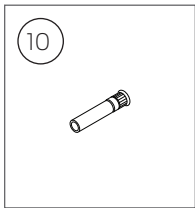
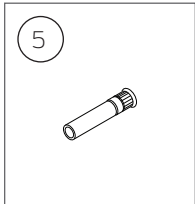
**Centron: 917DT, 930EO, 930DT, 930NL and 930C**



| No. | Qty. | Part no. | Description             | Notes |
|-----|------|----------|-------------------------|-------|
| m   | 1    | 600315   | 920/930 Cylinder Anchor |       |

\* Item(s) not shown

19 Series: optional equipment



| No. | Qty. | Part no. | Description  | Notes |
|-----|------|----------|--|-------|
| 5   | 1    | 4122     | Through bolt, package of 1, includes machine screw (1/2"- 20 x 3/4" PPHMS)** | A     |
| 10  | 1    | 2729P    | Through bolt, package of 1, includes machine screw (#10-24 x 3/4" PPHMS)***  | A     |
|     | 1    | 2729F    | Through bolt, package of 1, includes machine screw (#10-24 x 3/4" PPHMS)***  | A     |
| 46  | 1    | 650060   | 19 Cylinder Dogging Kit 3' device  | B     |
|     | 1    | 650063   | 19 Cylinder Dogging Kit 4' device  | B     |
| 49  | 1    | 650022   | 19-R 1/4" Rim Shim Kit   |       |
| 50  | 1    | 650023   | 19-V 1/4" Surface Vertical Shim Kit  |       |

\*\* Sold individually, for center case (2)

\*\*\* Sold individually, for surface vertical latches (3)

A Specify by finish: US10B or US26D

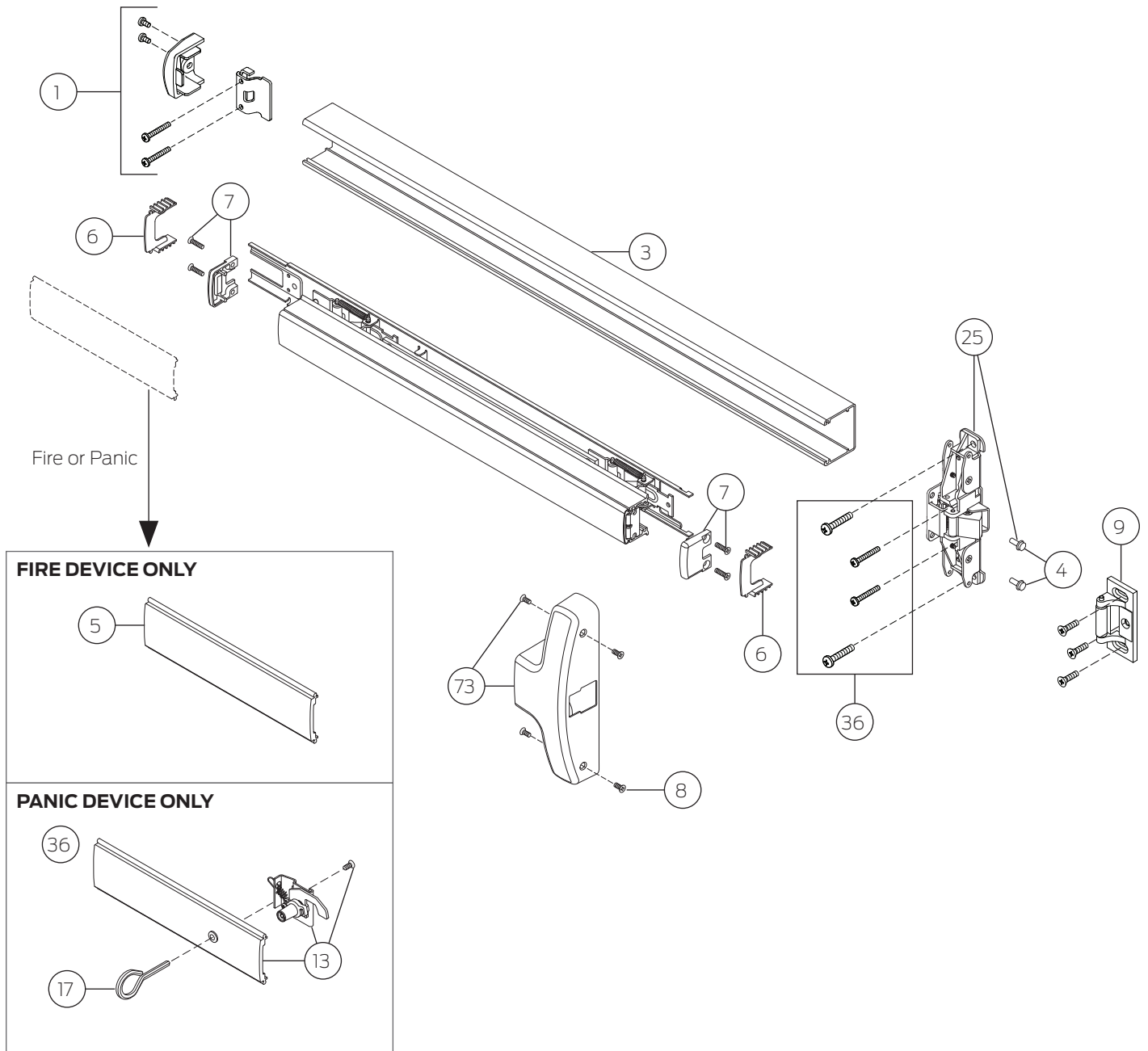
B Specify by finish: US28 or SP313

# 24 Series

- 18 (F)24 rim exit device
- 20 (F)24-V surface vertical rod exit device
- 22 (F)24-C concealed vertical rod exit device
- 24 (F)24-V surface vertical rods and latches
- 26 (F)24-C and F-24-C-WDC-90 concealed vertical rods and latches
- 28 24-C-WDC and F-24-C-WDC-20 concealed vertical rods latches
- 30 24 Series: knob (711) and lever (712) trim—rim and vertical device
- 32 24 Series: knob (711) and lever (712) trim—concealed device
- 34 24 Series: knob (711) and lever (712) dummy trim for rim, vertical and concealed device
- 36 24 Series: Athena (715) pull and Delta pull (717, 718) trim for rim and vertical device
- 37 24 Series: Delta pull (717, 718) trim for concealed devices
- 38 24 Series: Delta (718) trim for rim and vertical device
- 39 24 Series: Delta (718) trim for concealed device
- 40 24 Series: control pull trim (710) for rim and vertical device
- 41 24 Series: control thumbpiece (710) trim for rim and vertical device
- 42 24 Series: Delta thumbpiece (718) trim for rim and vertical device
- 43 24 Series: Delta thumbpiece (718) trim for concealed device
- 44 24 Series: turn lever (719) trim for surface vertical device
- 45 24 Series: turn lever (719) trim for concealed vertical device

# (F)24 rim exit device

## Panic and fire





## 24 Series

| No. | Qty. | Part no. | Description                                  | Package contents                                 | Notes |
|-----|------|----------|--|--|-------|
| 1   | 1    | 650294   | 24 Channel Endcap Kit 1 ¾" Door              | 1- Channel Endcap                                | A     |
|     |      |          |  | 2- #10-24 x ¾" PPHMS                             |       |
|     |      |          |  | 1- Channel Endcap Bracket                        |       |
|     |      |          |  | 2- #10-24 x 1" PPHMS                             |       |
|     |      |          |  | 2- #10 x 1 ¼" PPHSMS                             |       |
|     |      | 650348   | 24 Channel Endcap Kit 2 ¼" Door              | 1- Channel Endcap                                | A     |
|     |      |          |  | 2- #10-24 x ¾" PPHMS                             |       |
|     |      |          |  | 1- Channel Endcap Bracket                        |       |
|     |      |          |  | 2- #10-24 x 1" PPHMS                             |       |
|     |      |          |  | 2- #10 x 1 ¼" PPHSMS                             |       |
| 3   | 1    | 661408   | 24 Channel 3'                                |  | A     |
|     |      | 661409   | 24 Channel 4'                                |  |       |
| 4   | 1    | 600305   | 24 Channel Screw Pkg                         | 10- #10-16 x ½" Hex Washer Head Taptite          |       |
| 5   | 1    | 650121   | F-24 Channel Cover 3'                        |  | A, B  |
|     |      | 650122   | F-24 Channel Cover 4'                        |  |       |
| 6   | 1    | 600319   | 24 Pushbar Guide Pkg                         | 2- Pushbar Guide                                 |       |
| 7   | 1    | 600310   | 24 Pushbar Endcap Kit                        | 2- Pushbar Endcap<br>4- #8-18 x ¾" FPHSMS        | A     |
| 8   | 1    | 600307   | Center Case Cover Screw Pkg                  | 4- #8-18 x ¾" UFPHSMS                            | A     |
| 9   | 1    | 299      | 299 Strike                                   |  | C     |
| 13  | 1    | 650187   | 24 Hex Dogging Kit 3'                        | 1- Panic Channel Cover<br>1- Dogging Subassembly | A, B  |
|     |      | 650188   | 24 Hex Dogging Kit 4'                        | 1- #8-32 x ¾" UFPHMS                             |       |
| 17  | 1    | 060109   | 24 Panic Hex Dogging Key 7/32" package of 10 |  |       |
| 25  | 1    | 650233   | 24-R Center Case Kit                         | 1- Center Case                                   |       |
|     |      | 650234   | F-24-R Center Case Kit                       | 2- #10-16 x ½" Hex Washer Head Taptite           |       |
| 36  | 1    | 650324   | (F)24-R Mounting Pkg 1 ¾" Door               | 2- #10 x 1 ¼" PPHSMS                             | *     |
|     |      |          |  | 2- #14 x 1" PPHSMS                               | *     |
|     |      |          |  | 2- ¼ - 20 x ¾" PPHMS                             |       |
|     |      |          |  | 2- 10-24 x 1 ½" PPHMS                            |       |
|     |      |          |  | 1- Dogging Key                                   |       |
|     | 1    | 650302   | (F)24-R Mounting Pkg 2 ¼" Door               | 2- #10 x 1 ¼" PPHSMS                             | *     |
|     |      |          |  | 2- #14 x 1" PPHSMS                               | *     |
|     |      |          |  | 2- ¼ - 20 x 1 ¼" PPHMS                           | *     |
|     |      |          |  | 2- #10-24 x 2" PPHMS                             | *     |
|     |      |          |  |  |       |
| 73  | 1    | 650247   | 24-R Center Case Cover Kit                   | 1- Center Case Cover                             | A     |
|     |      | 650249   | F-24-R Center Case Cover Kit                 | 4- #8-18 x ¾" UFPHSMS                            |       |

\* Item(s) not shown

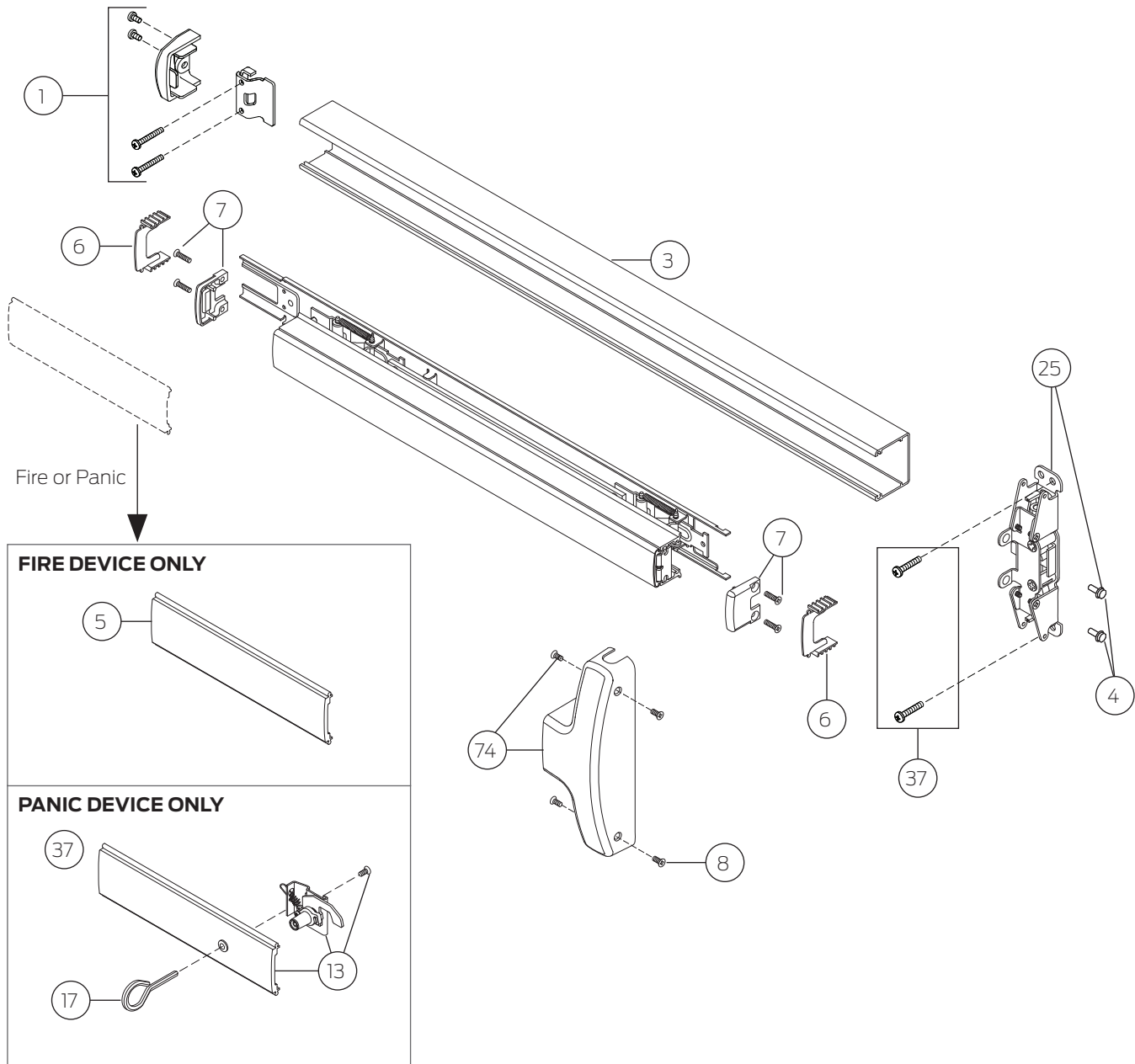
A Specify by finish: US3, US4, US10, 313AN, US26, US32, US26D, US32D, US28

B Channel Covers for CD, EA, HWEA, KOR, see **page 71**

C Specify by finish: US3, US4, US10, US19, US26, US26D, SP313

# (F)24-V surface vertical rod exit device

## Panic and fire



## 24 Series

| No.                   | Qty. | Part no. | Description                                  | Package contents                                 | Notes |
|-----------------------|------|----------|--|--|-------|
| 1                     | 1    | 650294   | 24 Channel Endcap Kit 1 ¾" Door              | 1- Channel Endcap                                | A     |
|                       |      |          |  | 2- #10-24 x ¾" PPHMS                             |       |
|                       |      |          |  | 1- Channel Endcap Bracket                        |       |
|                       |      |          |  | 2- #10-24 x 1" PPHMS                             |       |
|                       |      |          |  | 2- #10 x 1 ¼" PPHSMS                             |       |
| 1                     | 1    | 650348   | 24 Channel Endcap Kit 2 ¼" Door              | 1- Channel Endcap                                | A     |
|                       |      |          |  | 2- #10-24 x ¾" PPHMS                             |       |
|                       |      |          |  | 1- Channel Endcap Bracket                        |       |
|                       |      |          |  | 2- #10-24 x 1" PPHMS                             |       |
|                       |      |          |  | 2- #10 x 1 ¼" PPHSMS                             |       |
| 3                     | 1    | 661408   | 24 Channel 3'                                |  | A     |
|                       |      | 661409   | 24 Channel 4'                                |  |       |
| 4                     | 1    | 600305   | 24 Channel Screw Pkg                         | 10- #10-16 x ½" Hex Washer Head Taptite          |       |
| 5                     | 1    | 650121   | F-24 Channel Cover 3'                        |  | A, B  |
|                       |      | 650122   | F-24 Channel Cover 4'                        |  |       |
| 6                     | 1    | 600319   | 24 Pushbar Guide Pkg                         | 2- Pushbar Guide                                 |       |
| 7                     | 1    | 600310   | 24 Pushbar Endcap Kit                        | 2- Pushbar Endcap<br>4- #8-18 x ¾" FPHSMS        | A     |
| 8                     | 1    | 600307   | Center Case Cover Screw Pkg                  | 4- #8-18 x ¾" UFPHSMS                            | A     |
| 13                    | 1    | 650187   | 24 Hex Dogging Kit 3'                        | 1- Panic Channel Cover<br>1- Dogging Subassembly | A, B  |
|                       |      | 650188   | 24 Hex Dogging Kit 4'                        | 1- #8-32 x ¾" UFPHSMS                            |       |
| 17                    | 1    | 060109   | 24 Panic Hex Dogging Key 7/32" package of 10 |  |       |
| 37                    | 1    | 650304   | 24-V Mounting Pkg 1 ¾" - 2 ¼" Door           | 4- #10 x 1 ¼" PPHSMS                             | *     |
|                       |      |          |  | 2- #10 x 1 ¼" FPHSMS                             | *     |
|                       |      |          |  | 2- #14 x 1" PPHSMS                               | *     |
|                       |      |          |  | 1- ½ x 1" Cotter Key                             | *     |
|                       |      |          |  | 1- Dogging Key                                   |       |
|                       |      |          |  | 2- #10-24 x ¾" PPHMS                             | *     |
|                       |      | 650325   | F-24-V Mounting Pkg 1 ¾" Door                | 4- #10-24 x ¾" FPHMS                             | *     |
|                       |      |          |  | 2- ¼-20 x ¾" PPHMS                               |       |
|                       |      |          |  | 1- ½ x 1" Cotter Key                             | *     |
|                       |      |          |  | 2- #10-24 x 1 ¼" PPHMS                           | *     |
|                       |      | 650201   | F-24-V Mounting Pkg 2 ¼" Door                | 4- #10-24 x 1 ¼" FPHMS                           | *     |
|                       |      |          |  | 2- ¼-20 x 1 ¼" PPHMS                             | *     |
| 1- ½" x 1" Cotter Key | *    |          |  |  |       |
| 1- Center Case        | A    |          |  |  |       |
| 57                    | 1    | 650236   | (F)24-V Center Case Kit                      | 2- #10-16 x ½" Hex Washer Head Taptite           |       |
|                       |      |          |  |  |       |
| 74                    | 1    | 650251   | (F)24-V Center Case Cover Kit                | 1- Center Case Cover                             | A     |
|                       |      |          |  | 4- #8-18 x ¾" UFPHSMS                            |       |

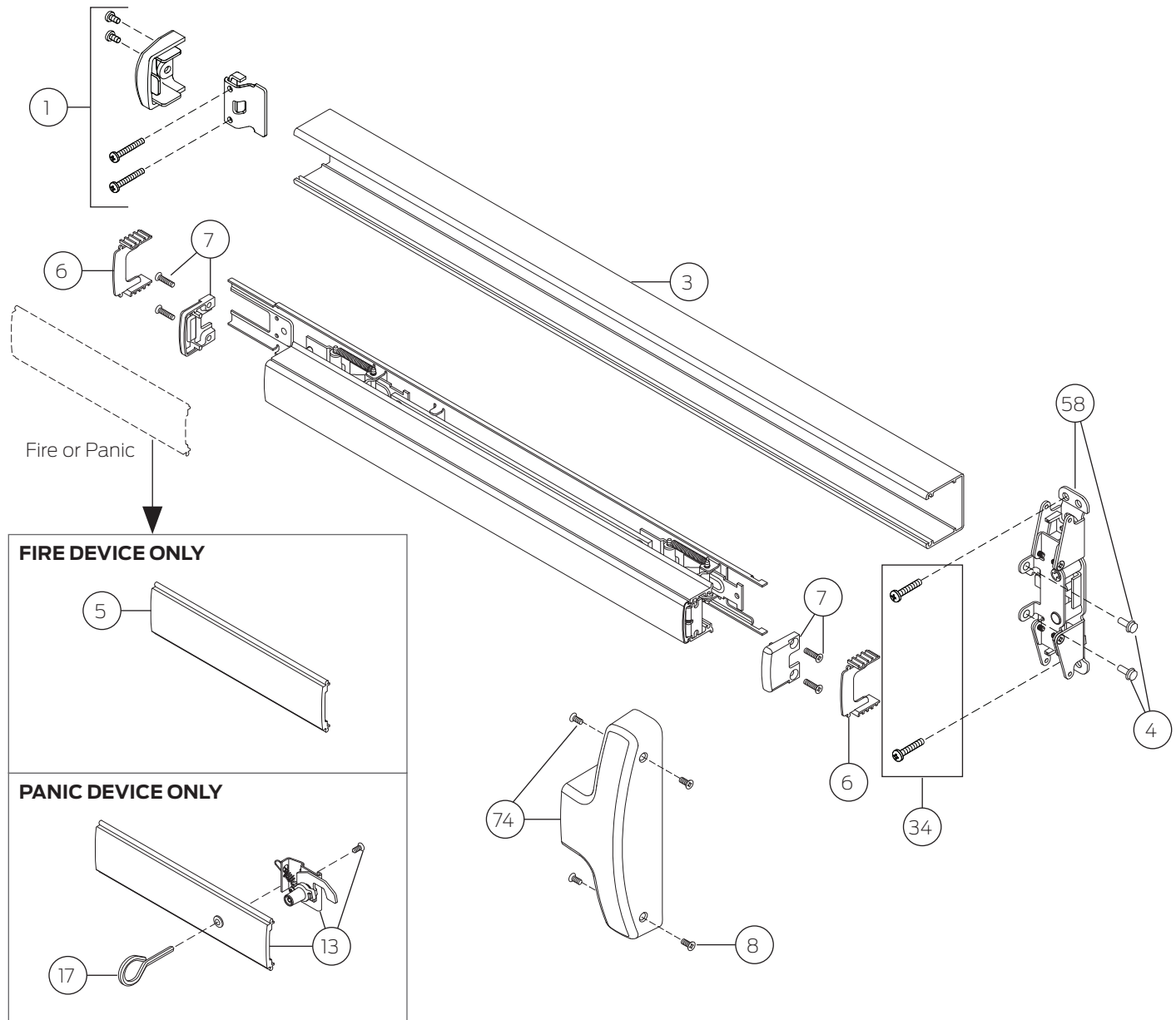
\* Item(s) not shown

A Specify by finish: US3, US4, US10, 313AN, US26, US32, US26D, US32D, US28

B Channel Covers for CD, EA, HWEA, KOR, shown on **page 71**

# (F)24-C concealed vertical rod exit device

## Panic and fire



Note: (F)24-C Mounting Package(s) shown on **page 28**.

## 24 Series

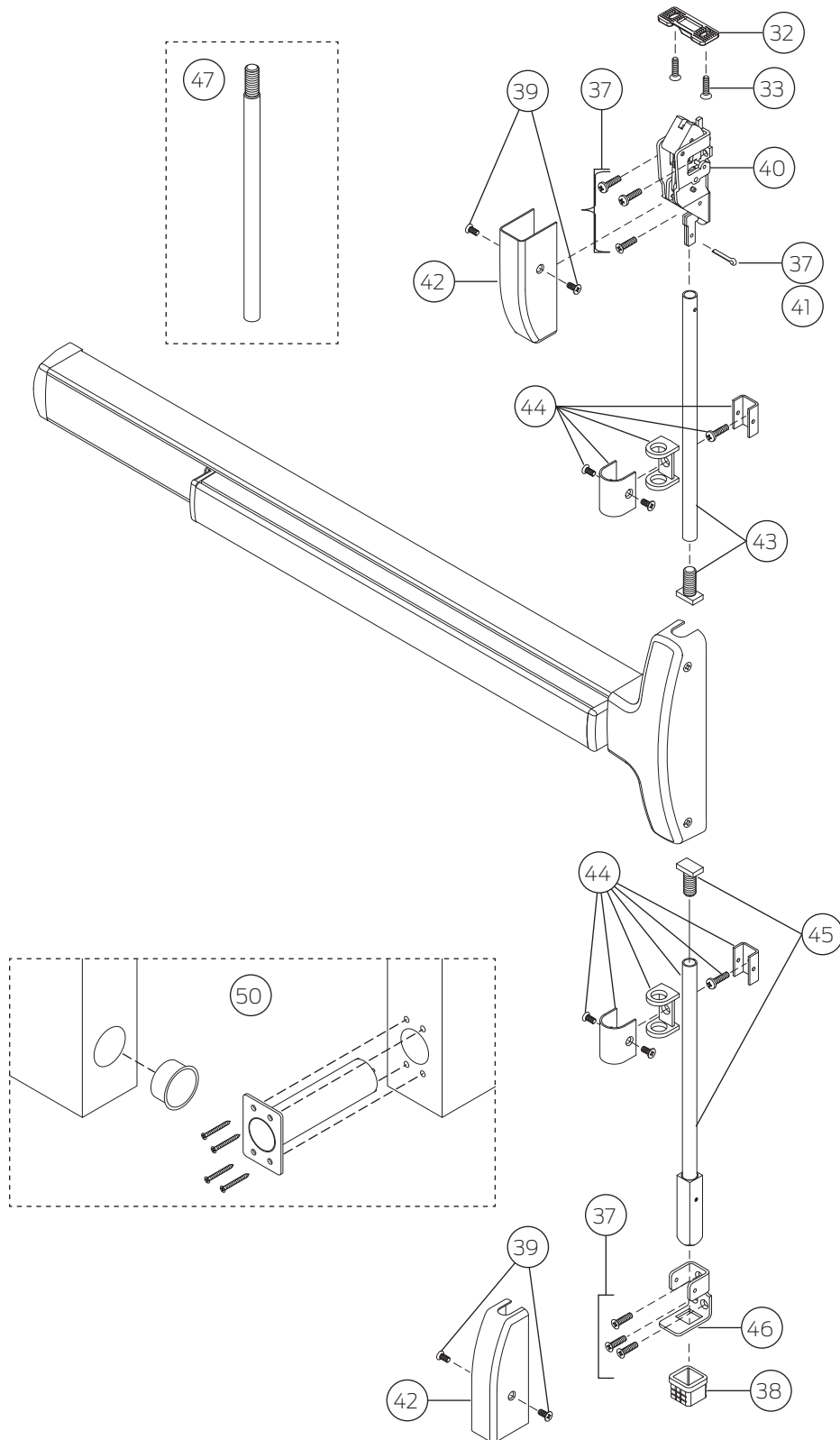
| No. | Qty. | Part no.  | Description                                  | Package contents                               | Notes |
|-----|------|---|--|--|-------|
| 1   | 1    | 650294  | 24 Channel Endcap Kit 1 ¾" Door              | 1– Channel Endcap                              | A     |
|     |      |   |  | 2– #10-24 x ¾" PPHMS                           |       |
|     |      |   |  | 1– Channel Endcap Bracket                      |       |
|     |      |   |  | 2– #10-24 x 1" PPHMS                           |       |
|     |      |   |  | 2– #10 x 1 ¼" PPHSMS                           |       |
| 1   | 1    | 650348  | 24 Channel Endcap Kit 2 ¼" Door              | 1– Channel Endcap                              | A     |
|     |      |   |  | 2– #10-24 x ¾" PPHMS                           |       |
|     |      |   |  | 1– Channel Endcap Bracket                      |       |
|     |      |   |  | 2– #10-24 x 1" PPHMS                           |       |
|     |      |   |  | 2– #10 x 1 ¼" PPHSMS                           |       |
| 3   | 1    | 661408  | 24 Channel 3'                                |  | A     |
|     |      | 661409  | 24 Channel 4'                                |  |       |
| 4   | 1    | 600305  | 24 Channel Screw Pkg                         | 10– #10-16 x ½" Hex Washer Head Taptite        |       |
| 5   | 1    | 650121  | F-24 Channel Cover 3'                        |  | A, B  |
|     |      | 650122  | F-24 Channel Cover 4'                        |  |       |
| 6   | 1    | 600319  | 24 Pushbar Guide Pkg                         | 2– Pushbar Guide                               |       |
| 7   | 1    | 600310  | 24 Pushbar Endcap Kit                        | 2– Pushbar Endcap<br>4– #8-18 x ¾" FPHSMS      | A     |
| 8   | 1    | 600307  | 24 Center Case Cover Screw Pkg               | 4– #8-18 x ¾" UFPHSMS                          | A     |
| 13  | 1    | 650187  | 24 Hex Dogging Kit 3'                        | 1– Panic Channel Cover                         | A, B  |
|     |      | 650188  | 24 Hex Dogging Kit 4'                        | 1– Dogging Subassembly<br>1– #8-32 x ¾" UFPHMS |       |
| 17  | 1    | 060109  | 24 Panic Hex Dogging Key 7/32" package of 10 |  |       |
| 34  |      | Included with C, F-24-C, F-24-CWDC Mounting Packages. For package details, refer to <b>page 28</b> and <b>page 30</b> |  |  |       |
| 35  |      |   |  |  |       |
| 58  | 1    | 650238  | (F)24-C Center Case Kit                      | 1– Center Case                                 |       |
|     |      |   |  | 2– #10-16 x ½" Hex Washer Head Taptite         |       |
| 75  | 1    | 650253  | (F)24-C Center Case Cover Kit                | 1– Center Case                                 | A     |
|     |      |   |  | 4– #8-18 x ¾" UFPHSMS                          |       |

A Specify by finish: US3, US4, US10, 313AN, US26, US32, US26D, US32D, US28

B Channel Covers for CD, EA, HWEA, KOR, shown on **page 71**

# (F)24-V surface vertical rods and latches

## Panic and fire



## 24 Series

| No.                   | Qty. | Part no. | Description   | Package contents       | Notes |
|-----------------------|------|----------|---|------------------------|-------|
| 32                    | 1    | 3788     | Vertical Rod Top Strike   |                        | **    |
| 33                    | 2    | 660002   | #10 x 1 ¼" FPHSMS   |                        |       |
| 37                    | 1    | 650304   | 24-V Mounting Pkg 1 ¾" - 2 ¼" Door                                | 2- #10 x 1 ¼" PPHSMS   | *     |
|                       |      |          |   | 4- #10 x 1 ¼" FPHSMS   | *     |
|                       |      |          |   | 2- #14 x 1" PPHSMS     | *     |
|                       |      |          |   | 1- ½ x 1" Cotter Key   |       |
|                       |      |          |   | 1- Dogging Key         | *     |
|                       |      | 650325   | F-24-V Mounting Pkg 1 ¾" Door                                     | 2- #10-24 x ¾" PPHMS   | *     |
|                       |      |          |   | 4- #10-24 x ¾" FPHMS   |       |
|                       |      |          |   | 2-¼-20 x ¾" PPHMS      | *     |
|                       |      |          |   | 1- ½ x 1" Cotter Key   |       |
|                       |      | 650201   | F-24-V Mounting Pkg 2 ¼" Door                                     | 2- #10-24 x 1 ¼" PPHMS | *     |
|                       |      |          |   | 4- #10-24 x 1 ¼" FPHMS | *     |
|                       |      |          |   | 2-¼-20 x 1 ¼" PPHMS    | *     |
| 1- ½" x 1" Cotter Key |      |          |   |                        |       |
| 39                    | 1    | 650336   | 24-V Latch Case Cover Screw Pkg                                   | 4- #8-32 x ¼" UFPHMS   |       |
| 40                    | 1    | 650389   | 24-V Top Latch Case - Panic                                       |                        |       |
|                       |      | 650375   | 24-V Top Latch Case - Fire  |                        |       |
| 41                    | 1    | 060111   | ½" x 1" Cotter Key package of 10                                  |                        |       |
| 42                    | 2    | 650202   | 24-V Latch Case Cover   |                        | B     |
| 43                    | 1    | 4450     | 24-V Top Rod Kit  |                        | B     |
| 44                    | 2    | 650311   | 24-V Rod Guide Kit  |                        | C     |
| 45                    | 1    | 610056   | 24-V Bottom Bolt Kit  |                        | B     |
| 46                    | 1    | 650387   | 24-V Bottom Guide Assembly (screws not included)                  |                        |       |
| 47                    | 1    | 650006   | Vertical Extension Rod 12"  |                        | A     |
|                       |      | 650007   | Vertical Extension Rod 24"  |                        |       |
|                       |      | 650008   | Vertical Extension Rod 36"  |                        |       |
| 50                    | 1    | 5494     | F-24-C Auxiliary Fire Pin Kit (Less Bottom Rod applications only) |                        |       |

\* Item(s) not shown

\*\* For Flush Transom applications, specify part number 4215-019 angle bracket

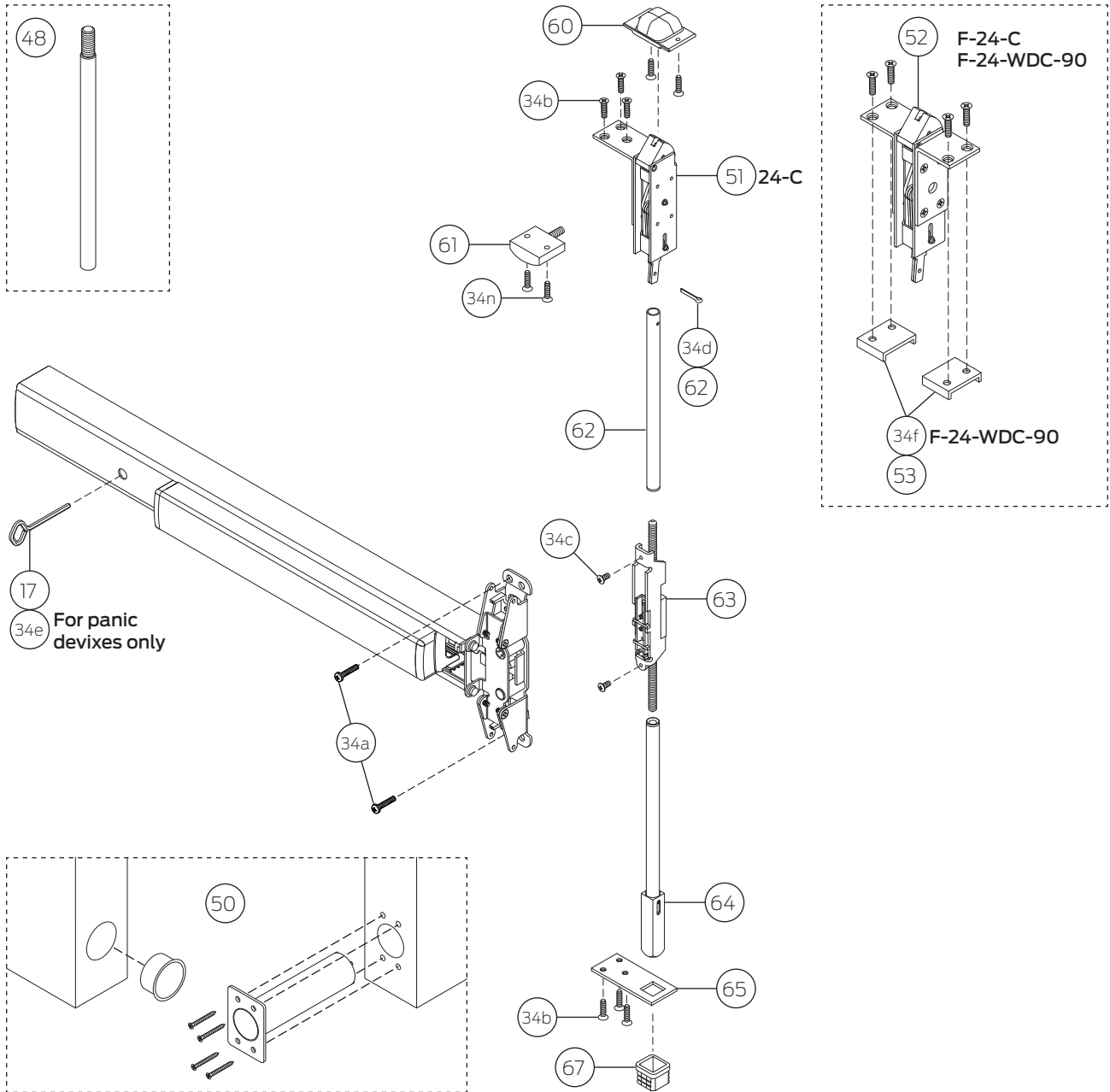
A Specify by finish: US3, US4, US10, US10B, US32, US32D, SP28, SP313

B Specify by finish: US3, US4, US10, US26, US26D, US32, US32D, SP28, SP313

C Specify by finish: US3, US4, US10, US26, US32, US32D, SP28, SP313

(F)24-C and F-24-C-WDC-90 concealed vertical rods and latches

Metal door—panic and fire, wood door—90 minute fire device



| No. | Qty. | Part no. | Description                                  |     | Package contents       | Notes |
|-----|------|----------|--|-----|------------------------|-------|
| 17  | 1    | 060109   | 24 Panic Hex Dogging Key 7/32" package of 10 |     |                        |       |
| 34  | 1    | 650317   | F-24-C Mounting Pkg 1 3/4" Door              | 34a | 8- #10-24 x 3/4" PPHMS |       |
|     |      |          |  | 34b | 7- #10-24 x 3/4" FPHMS |       |
|     |      |          |  | 34c | 2- #8-32 x 3/8" UFPHMS |       |
|     |      |          |  | 34d | 1- 1/8 x 1" Cotter Key |       |
|     |      |          |  | —   | 2- 1/4-20 x 3/4" PPHMS | *     |



## 24 Series

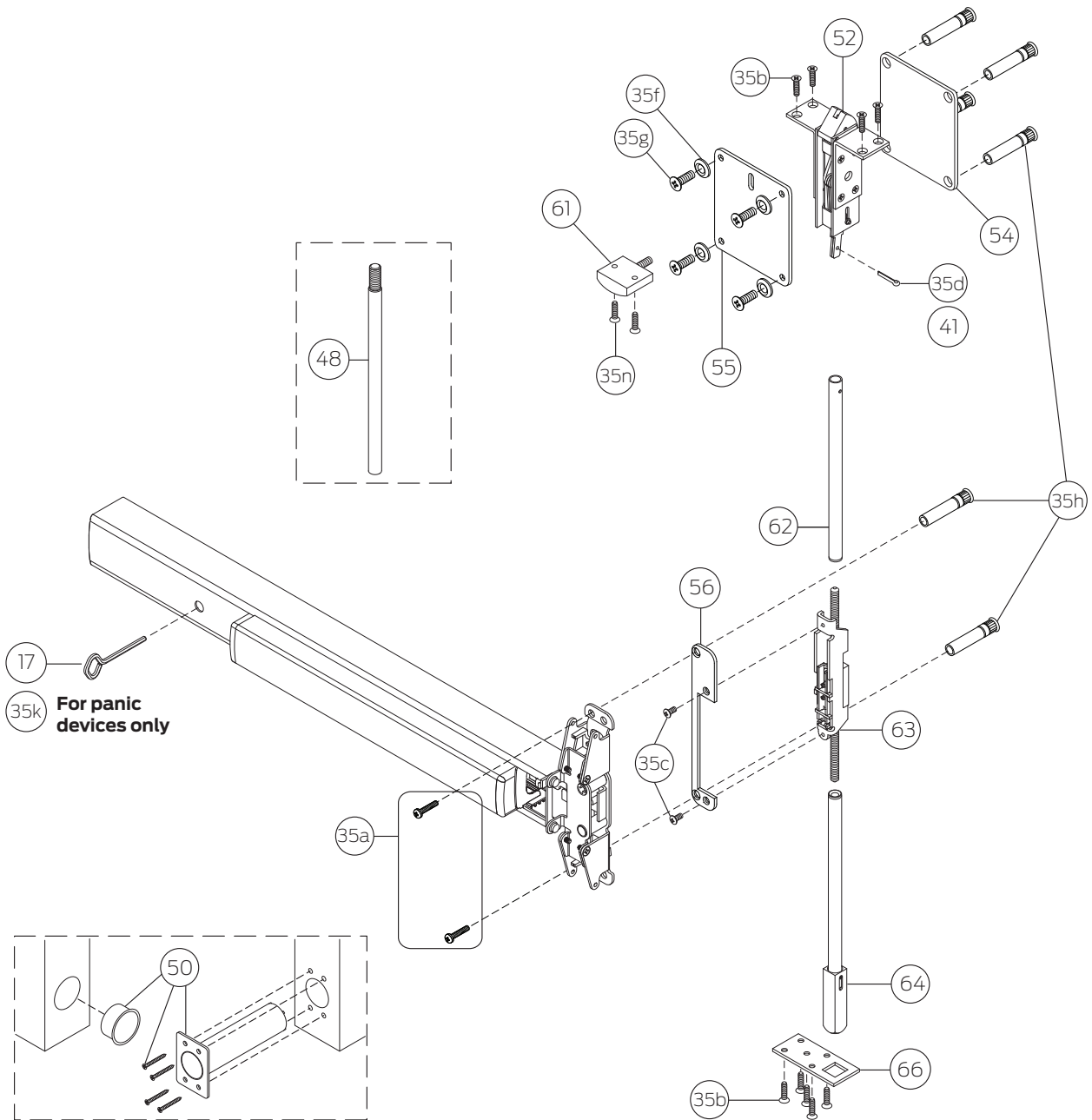
| No. | Qty.                 | Part no. | Description  |     | Package contents       | Notes |
|-----|----------------------|----------|--|-----|------------------------|-------|
| 34  | 1                    | 650318   | 24-C Mounting Pkg 1 ¾" Door                                      | 34a | 8- #10 x 1 ¼" PPHSMS   |       |
|     |                      |          |  | 34b | 6- #10-24 x ¾" FPHMS   |       |
|     |                      |          |  | 34c | 2- #8-32 x ¾" UFPHMS   |       |
|     |                      |          |  | 34d | 1- ½ x 1" Cotter Key   |       |
|     |                      |          |  | 34e | 1- Dogging Key         |       |
|     |                      |          |  | —   | 2- #14 x 1" PPHSMS     | *     |
|     |                      | 650327   | F-24-CWDC 90 Minute Mounting Pkg 1 ¾" Door                       | 34a | 4- #10 x 1 ¼" PPHSMS   |       |
|     |                      |          |  | 34b | 3- #10 x 1 ¼" FPHSMS   |       |
|     |                      |          |  | 34c | 2- #8-32 x ¾" UFPHMS   |       |
|     |                      |          |  | 34d | 1- ½ x 1" Cotter Key   |       |
|     |                      |          |  | 34f | 2- Latch Bracket       |       |
|     |                      |          |  | —   | 2- ¼-20 x ¾" PPHMS     | *     |
|     |                      | 650300   | 24-C Mounting Pkg 2 ¼" Door                                      | 34a | 8- #10 x 1 ¼" PPHSMS   |       |
|     |                      |          |  | 34b | 6- #10-24 x 1 ¼" FPHMS |       |
|     |                      |          |  | 34c | 2- #8-32 x ¾" UFPHMS   |       |
|     |                      |          |  | 34d | 1- ½ x 1" Cotter Key   |       |
|     |                      |          |  | 34e | 1- Dogging Key         |       |
|     |                      |          |  | —   | 2- #14 x 1" PPHSMS     | *     |
|     |                      | 650346   | F-24-C Mounting Pkg 2 ¼" Door                                    | 34a | 8- #10-24 x 1 ¼" PPHMS |       |
|     |                      |          |  | 34b | 7- #10-24 x 1 ¼" FPHMS |       |
| 34c | 2- #8-32 x ¾" UFPHMS |          |  |     |                        |       |
| 34d | 1- ½ x 1" Cotter Key |          |  |     |                        |       |
| —   | 2- ¼-20 x 1 ¼" PPHMS |          |  | *   |                        |       |
| 41  | 1                    | 060111   | ½ x 1" Cotter Key package of 10                                  |     |                        |       |
| 48  | 1                    | 650017   | Concealed Vertical Extension Rod 12"                             |     |                        |       |
|     |                      | 650018   | Concealed Vertical Extension Rod 24"                             |     |                        |       |
|     |                      | 650019   | Concealed Vertical Extension Rod 36"                             |     |                        |       |
| 50  | 1                    | 5494     | F-24-C Auxiliary Fire Pin Kit (Less Bottom Rod application only) |     |                        |       |
| 51  | 1                    | 603L     | 24-C, C-WDC Top Latch Case - LHR                                 |     |                        |       |
|     | 1                    | 603R     | 24-C, C-WDC Top Latch Case - RHR                                 |     |                        |       |
| 52  | 1                    | F603     | F-24-C, C-WDC Top Latch Case                                     |     |                        |       |
| 53  | 2                    | 4694     | F-24-CWDC Latch Bracket  |     |                        |       |
| 60  | 1                    | 4188     | Concealed Vertical Top Rod Strike                                |     |                        |       |
| 61  | 1                    | 650339   | (F)24-C, CWDC Top Latch Release Kit                              |     |                        | A     |
| 62  | 1                    | 610061   | (F)24-C, CWDC Top Rod Kit  |     |                        |       |
| 63  | 1                    | 650351   | (F)24-C, CWDC Center Slide Assembly                              |     |                        |       |
| 64  | 1                    | 610057   | (F)24-C, CWDC Bottom Rod Kit                                     |     |                        |       |
| 65  | 1                    | 4567     | 24-C Bottom Bolt Guide   |     |                        |       |
| 67  | 1                    | 2130     | Vertical Rod Bottom Strike                                       |     |                        |       |

\* Item(s) not shown

A Specify by finish: US3, US4, US10, 313AN, US26, US32, US26D, US32D, SP28

# 24-C-WDC and F-24-C-WDC-20 concealed vertical rods latches

Wood door—panic devices, wood door—20 minute fire device



| No. | Qty. | Part no. | Description                                  | Package contents  | Notes |
|-----|------|----------|--|---|-------|
| 17  | 1    | 060109   | 24 Panic Hex Dogging Key 7/32" package of 10 |   |       |
| 35  | 1    | 650326   | 24-CWDC Mounting Pkg 1 3/4" Door             | 35a 2- 1/2-20 x 3/4" PPHMS<br>— 4- #10-24 x 1" PPHMS *<br>35b 11- #10 x 1 1/4" FPHSMS<br>35c 2- #8-32 x 3/8" UFPHMS<br>— 2- 3/4" CS Plate Mtg Screw *<br>35d 1- 1/8 x 1" Cotter Key<br>35f 4- 1/4" CS Finish Washer | A     |

## 24 Series

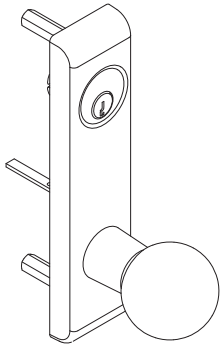
| No.    | Qty.                           | Part no. | Description  | Package contents |                            | Notes |
|--------|--------------------------------|----------|--|------------------|----------------------------|-------|
| 35     | 1                              | 650326   | 24-CWDC Mounting Pkg 1 ¾" Door                                   | 35g              | 4– ¼-20 x ¾" FPHMS         | A     |
|        |                                |          |  | 35h              | 6– ¼-20 Through bolt       |       |
|        |                                |          |  | 35k              | 1– Dogging Key             |       |
|        |                                |          |  | 35n              | 2– #10-24 x ¾" FPHMS       |       |
|        |                                |          |  | —                | 2– #10-24 x ¾" FPHMS *     |       |
|        |                                | 650327   | F-24-CWDC 20 Minute Mounting Pkg 1 ¾" Door                       | 35a              | 2– ½-20 x ¾" PPHMS         | A     |
|        |                                |          |  | 35b              | 11– #10 x 1 ¼" FPHSMS      |       |
|        |                                |          |  | 35c              | 2– #8-32 x ¾" UFPHMS       |       |
|        |                                |          |  | 35d              | 1– ⅝ x 1" Cotter Key       |       |
|        |                                |          |  | —                | 2– ¾" CS Plate Mtg Screw * |       |
|        |                                |          |  | 35f              | 4– ¼" CS Finish Washer     |       |
|        |                                |          |  | 35g              | 4– ¼-20 x ¾" FPHMS         |       |
|        |                                |          |  | 35h              | 6– ¼-20 Through bolt       |       |
|        |                                |          |  | —                | 4– #10-24 x 1" PPHMS *     |       |
|        |                                |          |  | 35n              | 2– #10-24 x ¾" FPHMS       |       |
| 650298 | 24-CWDC Mounting Pkg 2 ¼" Door | 35a      | 2– ¼-20 x 1 ¼" PPHMS   | A                |                            |       |
|        |                                | —        | 4– #10-24 x 1" PPHMS *   |                  |                            |       |
|        |                                | 35b      | 11– #10 x 1 ¼" FPHSMS  |                  |                            |       |
|        |                                | 35c      | 2– #8-32 x ¾" UFPHMS   |                  |                            |       |
|        |                                | —        | 2– #8-32 x ¾" UFPHMS *   |                  |                            |       |
|        |                                | 35d      | 1– ⅝ x 1" Cotter Key   |                  |                            |       |
|        |                                | —        | 2– ¾" CS Plate Mtg Screw *                                       |                  |                            |       |
|        |                                | 35f      | 4– ½-20 x 1 ¼" FPHMS4  |                  |                            |       |
|        |                                | 35g      | 4– ¼" CS Finish Washer   |                  |                            |       |
|        |                                | 35h      | 6– ¼-20 Through bolt   |                  |                            |       |
| 35n    | 2– #10-24 x ¾" FPHMS           |          |  |                  |                            |       |
| 41     | 1                              | 060111   | ⅝ x 1" Cotter Key package of 10                                  |                  |                            |       |
| 48     | 1                              | 650017   | Concealed Vertical Extension Rod 12"                             |                  |                            |       |
|        |                                | 650018   | Concealed Vertical Extension Rod 24"                             |                  |                            |       |
|        |                                | 650019   | Concealed Vertical Extension Rod 36"                             |                  |                            |       |
| 49     | 1                              | WF603    | F-24-C-WDC Top Latch Case  |                  |                            | *     |
| 50     | 1                              | 5494     | F-24-C Auxiliary Fire Pin Kit (Less Bottom Rod application only) |                  |                            |       |
| 54     | 1                              | 4833     | Top Reinforcement Plate  |                  |                            | A     |
| 55     | 1                              | 4834     | Top Reinforcement Plate with Access Hole                         |                  |                            | A     |
| 56     | 1                              | 4832     | (F)24-CWDC Center Slide Reinforcement Plate                      |                  |                            |       |
| 61     | 1                              | 650339   | (F)24-C, CWDC Top Latch Release Kit                              |                  |                            | A     |
| 62     | 1                              | 610061   | (F)24-C, CWDC Top Rod Subassembly                                |                  |                            |       |
| 63     | 1                              | 650376   | (F)24-C, CWDC Center Slide Assembly                              |                  |                            |       |
| 64     | 1                              | 610057   | (F)24-C, CWDC Bottom Rod Kit                                     |                  |                            |       |
| 66     | 1                              | 4835     | 24-CWDC Bottom Bolt Guide  |                  |                            |       |

\* Item(s) not shown

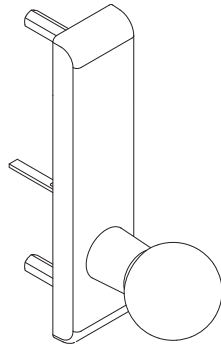
A Specify by finish: US3, US4, US10, 313AN, US26, US32, US26D, US32D, SP28

# 24 Series: knob (711) and lever (712) trim—rim and vertical device

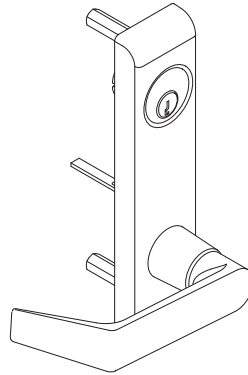
711K, 711K-BE, 711K-NL, 712L, 712L-BE and 712L-NL



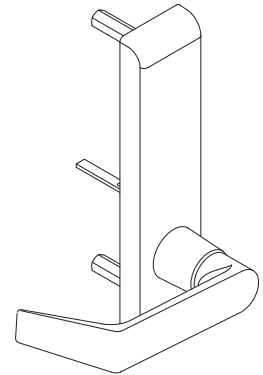
711K  
711K-NL



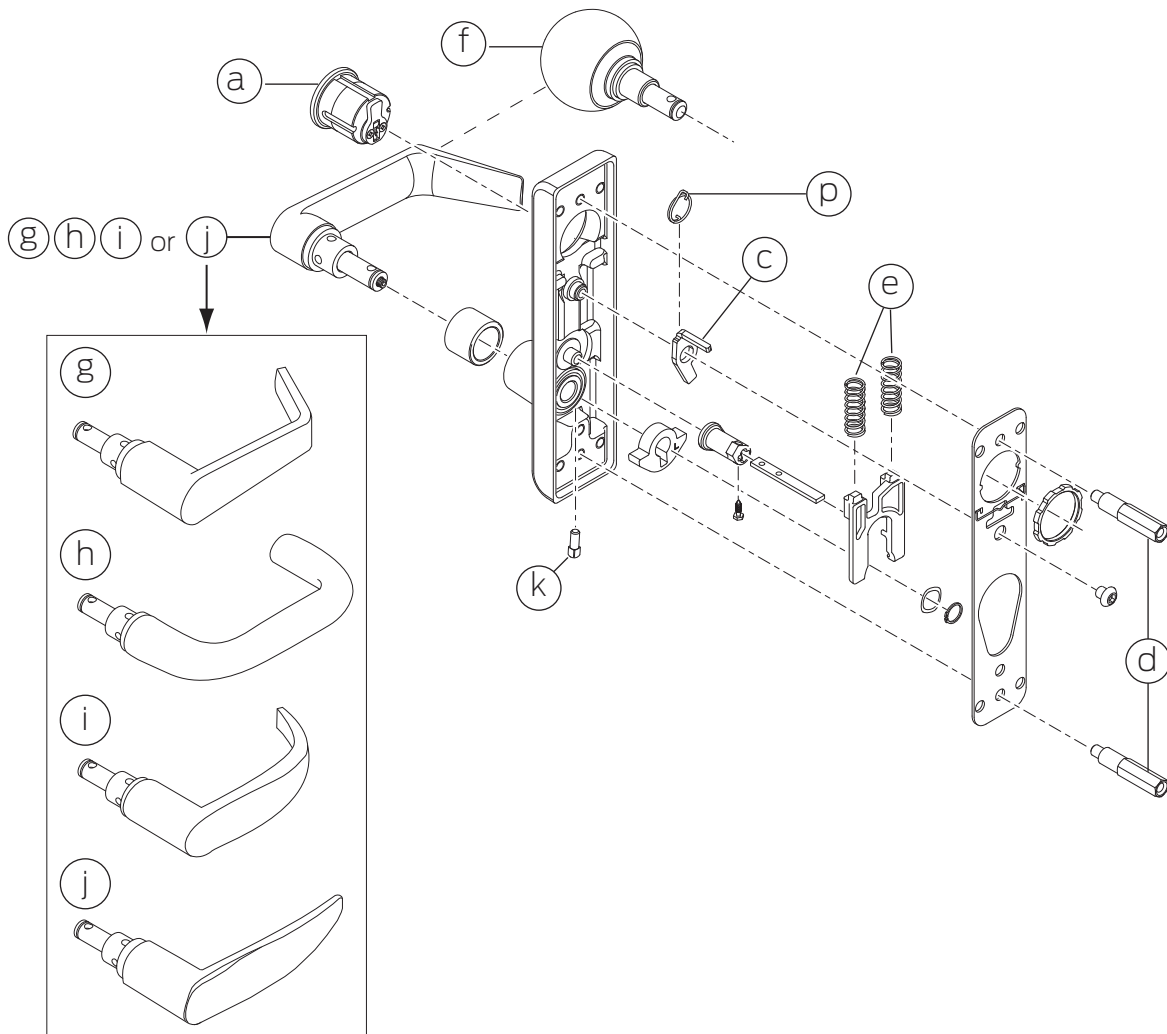
711K-BE



712L  
712L-NL



712L-BE



## 24 Series

| No. | Qty. | Part no. | Description  | Notes |
|-----|------|----------|--|-------|
| a   | 1    | 986      | 1 ¼ " Mortise Cylinder (US3, US4, US10, US10B, US26D, US32, US32D) | B     |
| c   | 1    | 661560   | <sup>700</sup> / <sub>900</sub> Locking Plate                      |       |
| d   | 2    | 4270     | 700 Series Trim Hex Stud   |       |
| e   | 1    | 661565   | 700 Series Lever Actuator Spring                                   |       |
|     | 1    | 661587   | 700 Series Knob Actuator Spring                                    |       |
| f   | 1    | 600298   | 711 Knob Assembly  | A     |
| g   | 1    | 600299   | 712 Dane Lever   | A     |
| h   | 1    | 600300   | 712 Sutro Lever  | A     |
| i   | 1    | 600301   | 712 Quantum Lever  | A     |
| j   | 1    | 600337   | 712 Avalon Lever   | A     |
| k   | 1    | 600283   | Shear Pin, package of 5  |       |
| p   | 1    | 600339   | 700/900 NL Spring Package  |       |

A Specify by finish: SP28, SP313, US3, US4, US10, US26, US26D, US32, US32D

B Specify by finish shown

### Specifications:

Escutcheon: 1 ¾" x 7 ¼"

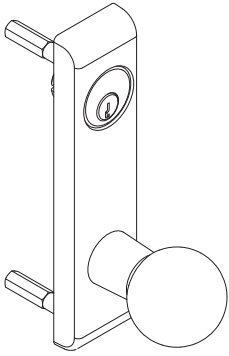
Knob Projection: 4"

Lever Projection:

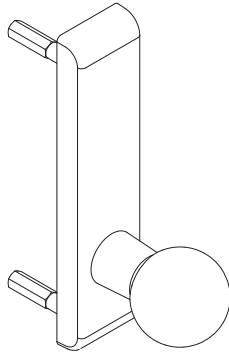
|         |          |
|---------|----------|
| Dane    | 2 ¼"     |
| Quantum | 3 ⅛"     |
| Sutro   | 2 13/16" |
| Avalon  | 3 ¼"     |

24 Series: knob (711) and lever (712) trim—concealed device

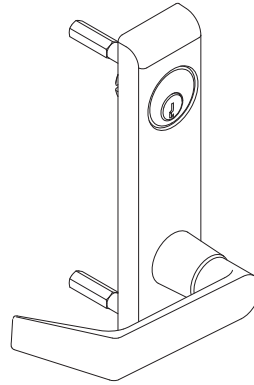
711K, 711K-BE, 711K-NL, 712L, 712L-BE and 712L-NL



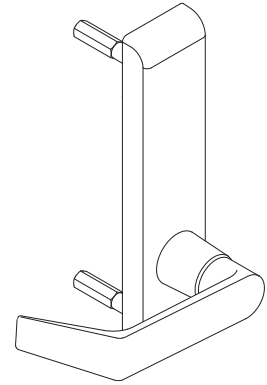
711K  
711K-NL



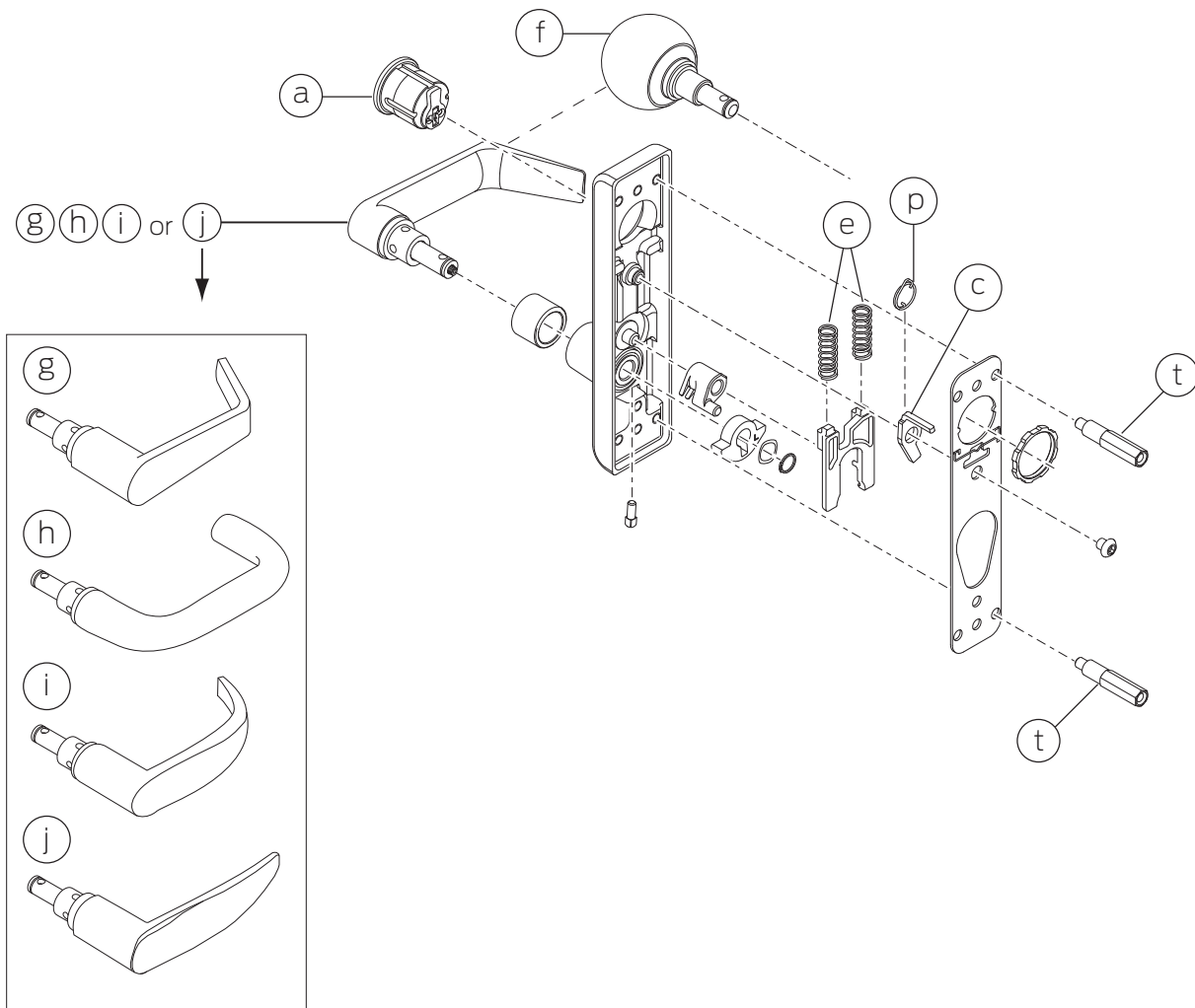
711K-BE



712L  
712L-NL



712L-BE



## 24 Series

| No. | Qty. | Part no. | Description   | Notes |
|-----|------|----------|---|-------|
| a   | 1    | 986      | 1 ¼" Mortise Cylinder (US3, US4, US10, US10B, US26D, US32, US32D) | B     |
| c   | 1    | 661560   | <sup>700</sup> / <sub>900</sub> Locking Plate                     |       |
| f   | 1    | 600298   | 711 Knob Assembly   | A     |
| g   | 1    | 600299   | 712 Dane Lever  | A     |
| h   | 1    | 600300   | 712 Sutro Lever   | A     |
| i   | 1    | 600301   | 712 Quantum Lever   | A     |
| j   | 1    | 600337   | 712 Avalon Lever  | A     |
| t   | 2    | 4349     | Control Hex Stud  |       |

A Specify by finish: SP28, SP313, US3, US4, US10, US26, US26D, US32, US32D

B Specify by finish shown

### Specifications:

Escutcheon: 1 ¾" x 7 ¼"

Knob Projection: 4"

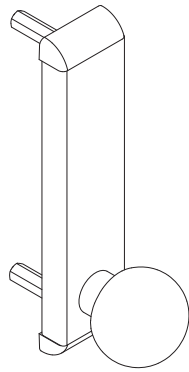
Lever Projection:

|         |      |
|---------|------|
| Dane    | 2 ¼" |
| Quantum | 3 ⅛" |
| Sutro   | 2 ⅜" |
| Avalon  | 3 ¼" |

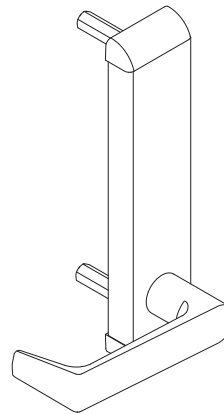
24 Series

24 Series: knob (711) and lever (712) dummy trim for rim, vertical and concealed device

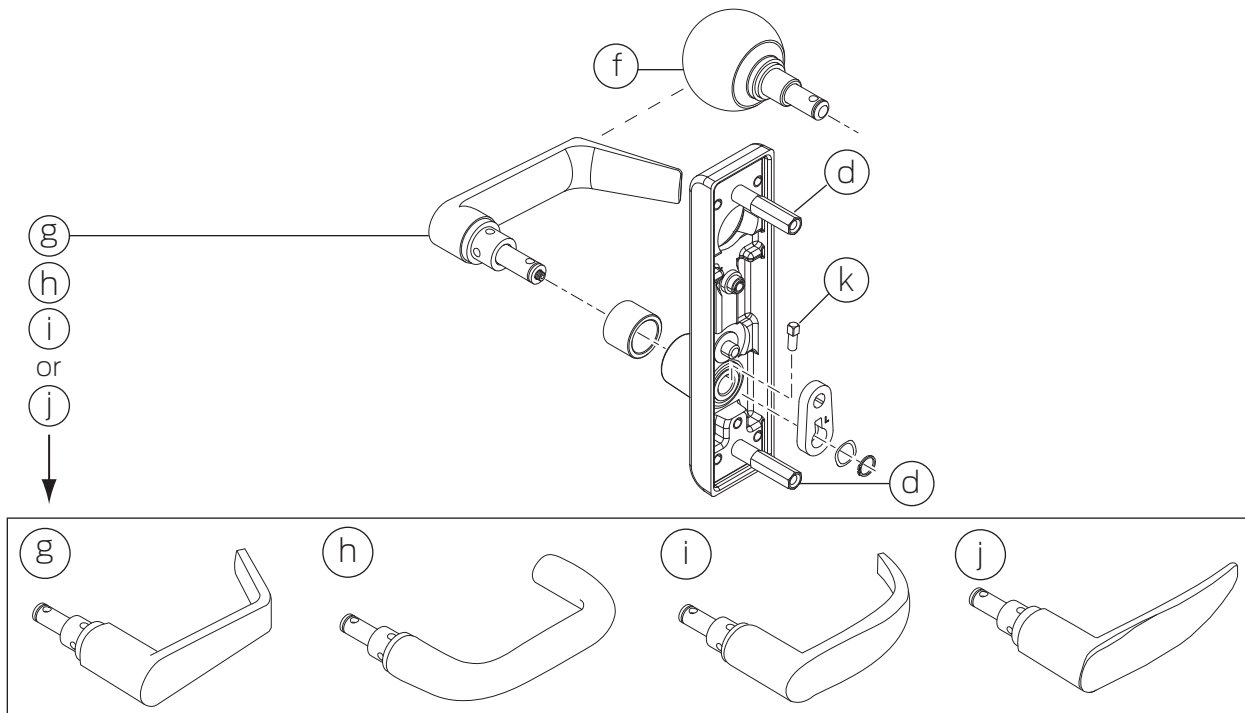
711K-DT and 712L-DT



711K-DT



712L-DT



| No. | Qty. | Part no. | Description              | Notes |
|-----|------|----------|--------------------------|-------|
| d   | 2    | 4270     | 700 Series Trim Hex Stud |       |
| f   | 1    | 600298   | 711 Knob Assembly        | A     |
| g   | 1    | 600299   | 712 Dane Lever           | A     |
| h   | 1    | 600300   | 712 Sutro Lever          | A     |
| i   | 1    | 600301   | 712 Quantum Lever        | A     |
| j   | 1    | 600337   | 712 Avalon Lever         | A     |
| k   | 1    | 600283   | Shear Pin, package of 5  |       |

**Specifications:**

|                   |                 |
|-------------------|-----------------|
| Escutcheon:       | 1 3/4" x 7 1/4" |
| Knob Projection:  | 4"              |
| Lever Projection: | Dane 2 1/4"     |
|                   | Quantum 3 1/8"  |
|                   | Sutro 2 13/16"  |
|                   | Avalon 3 1/4"   |

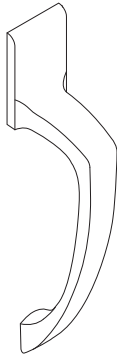
A Specify by finish: SP28, SP313, US3, US4, US10, US15, US26, US26D



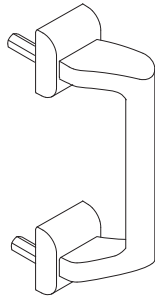
**24 Series**

24 Series: Athena (715) pull and Delta pull (717, 718) trim for rim and vertical device

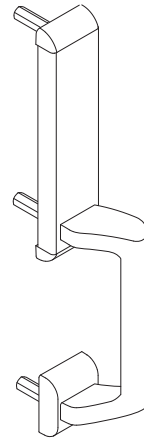
**715DT, 717DT and 718DT**



**715DT**



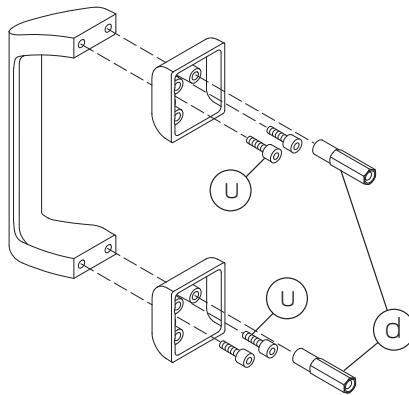
**717DT**



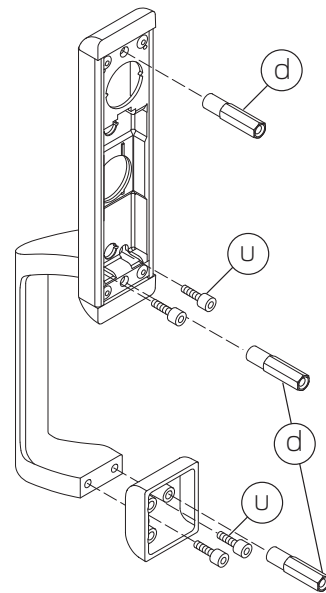
**718DT**



**715DT**



**717DT**



**718DT**

| No. | Qty. | Part no. | Description  | Notes |
|-----|------|----------|--|-------|
| d   | 3    | 4270     | 700 Series Trim Hex Stud   |       |
| u   | 1    | 600288   | 717/718/719 Pull Grip Screw package (10 - 1/2 - 20 x 1/2" Hex Socket Head Cap Screw) |       |

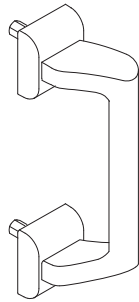
**Specifications:**

715DT Grip Overall: 1 5/8" x 9"  
 715DT Pull: 6 1/4" C - C  
 715DT Projection: 2 1/4"  
 Delta Pull Projection: 2"  
 718DT Escutcheon: 1 3/4" x 7 1/4"  
 718DT Overall Length: 13"

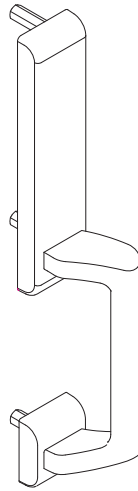
24 Series

24 Series: Delta pull (717, 718) trim for concealed devices

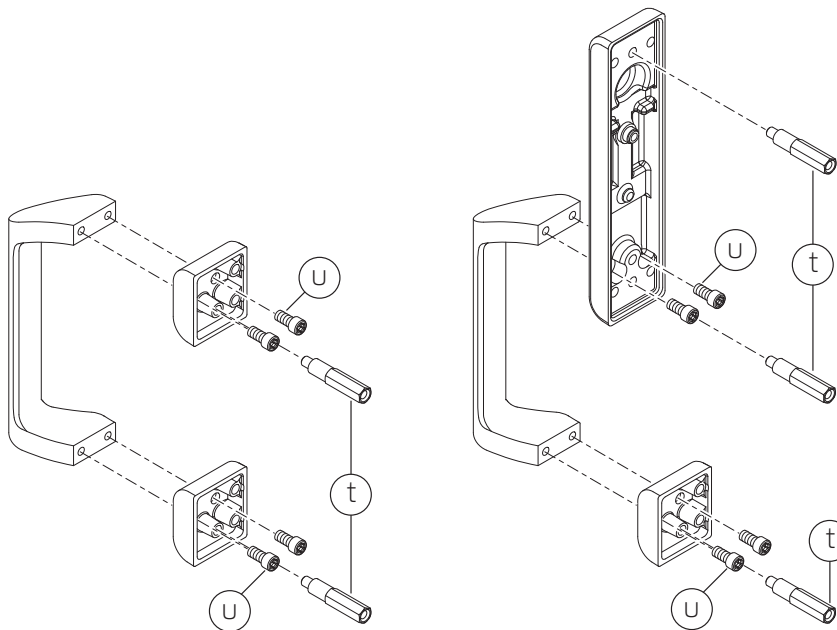
717DT and 718DT



717DT



718DT



| No. | Qty. | Part no. | Description  | Notes |
|-----|------|----------|--|-------|
| t   | 3    | 4349     | Control Hex Stud   |       |
| u   | 1    | 600288   | 717/718/719 Pull Grip Screw package (10 - 1/2 - 20 x 1/2" Hex Socket Head Cap Screw) |       |

**Specifications:**

Delta Pull Projection: 2"

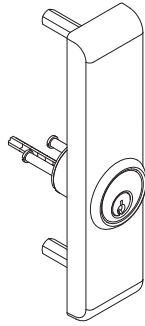
718DT Escutcheon: 1 3/4" x 7 1/4"

718DT Overall Length: 13"

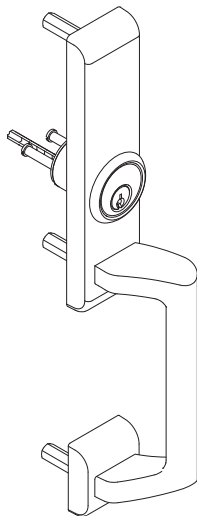
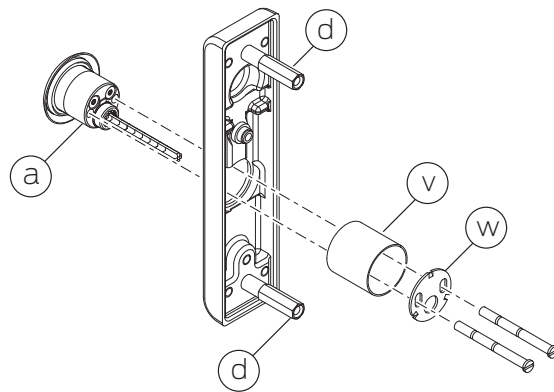
24 Series

24 Series: Delta (718) trim for rim and vertical device

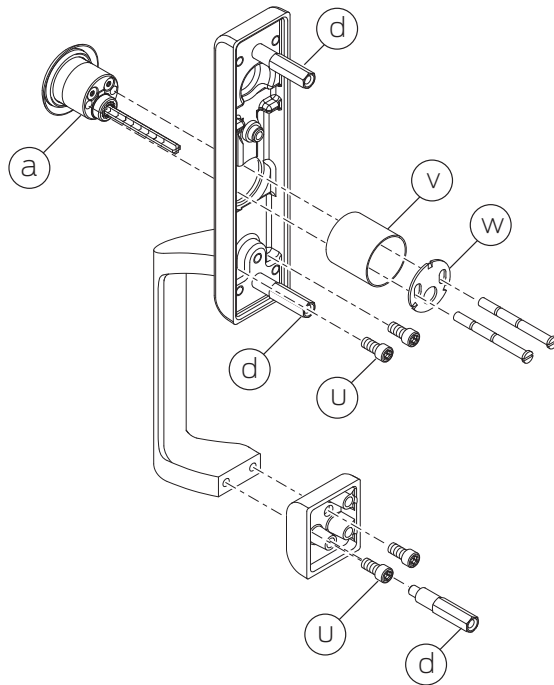
718C and 718-NL



718C



718NL



| No. | Qty. | Part no. | Description  | Notes |
|-----|------|----------|--|-------|
| a   | 1    | 951      | Rim Cylinder (US3, US4, US10, US10B, US26D, US32, US32D)                             | B     |
| d   | 3    | 4270     | 700 Series Trim Hex Stud   |       |
| u   | 1    | 600288   | 717/718/719 Pull Grip Screw package (10 - 1/4 - 20 x 1/2" Hex Socket Head Cap Screw) |       |
| v   | 1    | 4120     | 718C/NL Cylinder Spacer Collar   |       |
| w   | 1    | 4121     | 718C/NL Cylinder Anchor Plate  |       |

B Specify by finish shown

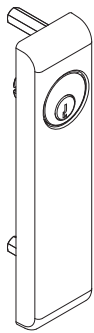
**Specifications:**

Delta Pull Projection: 2"  
 Escutcheon: 1 3/4" x 7 1/4"  
 Overall Length: 13"

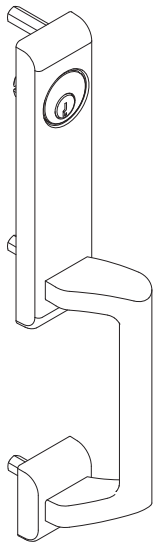
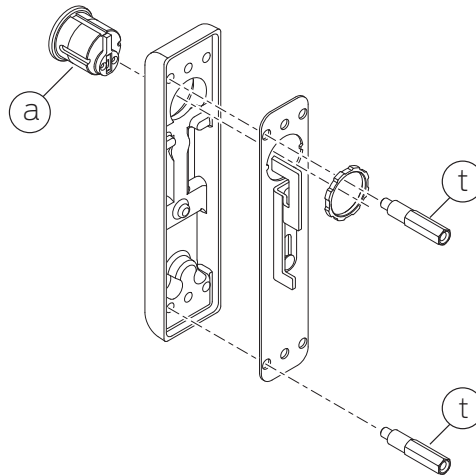
24 Series

24 Series: Delta (718) trim for concealed device

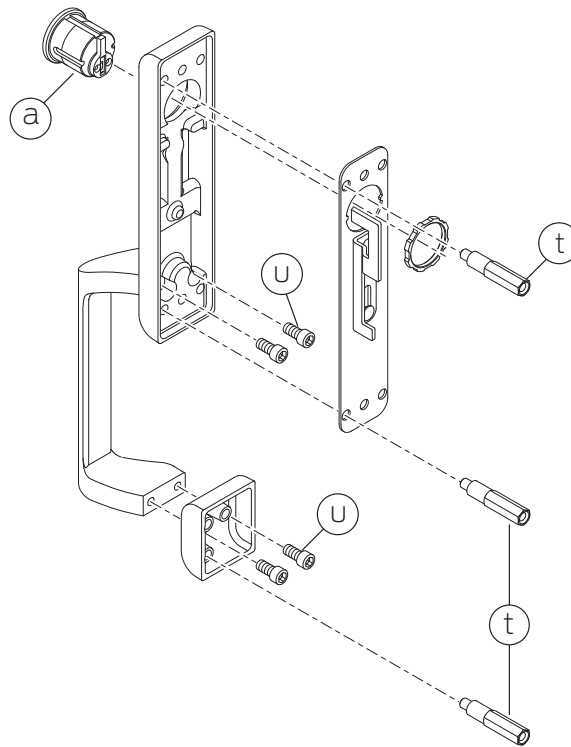
718C and 718-NL



718C



718NL



| No. | Qty. | Part no. | Description  | Notes |
|-----|------|----------|--|-------|
| a   | 1    | 985      | 1/8" Mortise Cylinder (US3, US4, US10, US10B, US26D, US32, US32D)                    | B     |
| t   | 3    | 4349     | Control Hex Stud   |       |
| u   | 1    | 600288   | 717/718/719 Pull Grip Screw package (10 - 1/4 - 20 x 1/2" Hex Socket Head Cap Screw) |       |

B Specify by finish shown

**Specifications:**

Delta Pull Projection: 2"

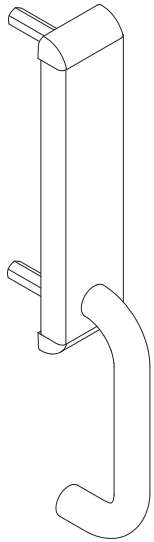
Escutcheon: 1 3/4" x 7 1/4"

Overall Length: 13"

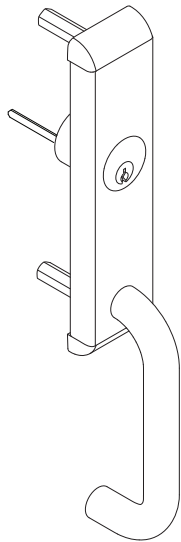
**24 Series**

24 Series: control pull trim (710) for rim and vertical device

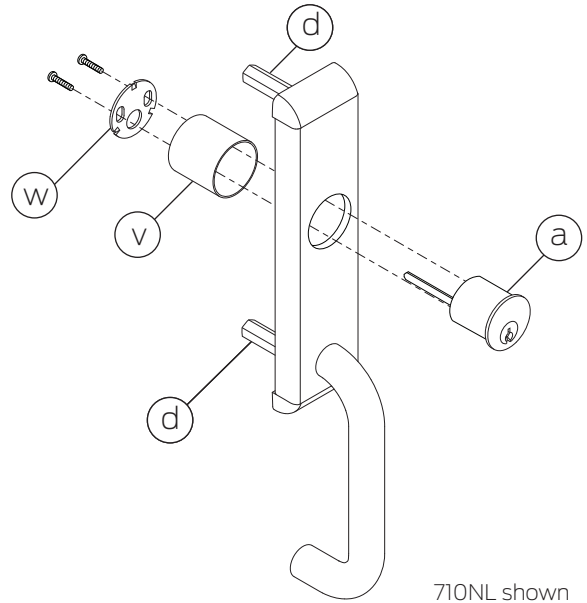
**710-DT and 710-NL**



**710DT**



**710NL**



710NL shown

| No. | Qty. | Part no. | Description  | Notes |
|-----|------|----------|--|-------|
| a   | 1    | 951      | Rim Cylinder (US3, US4, US10, US10B, US26D, US32, US32D) | B     |
| d   | 2    | 4270     | 700 Series Trim Hex Stud                                 |       |
| v   | 1    | 4120     | 710NL Cylinder Spacer Collar                             |       |
| w   | 1    | 4121     | 710NL Cylinder Anchor Plate                              |       |

B Specify by finish shown

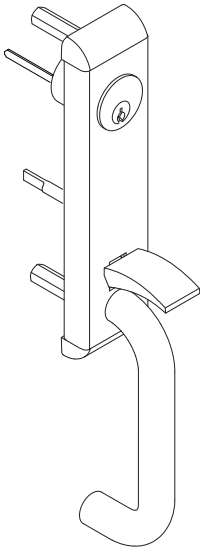
**Specifications:**

Delta Pull Projection: 2"  
 Escutcheon: 1 3/4" x 7 1/4"  
 Overall Length: 11 3/4"

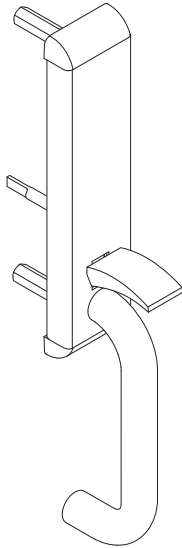
**24 Series**

24 Series: control thumbpiece (710) trim for rim and vertical device

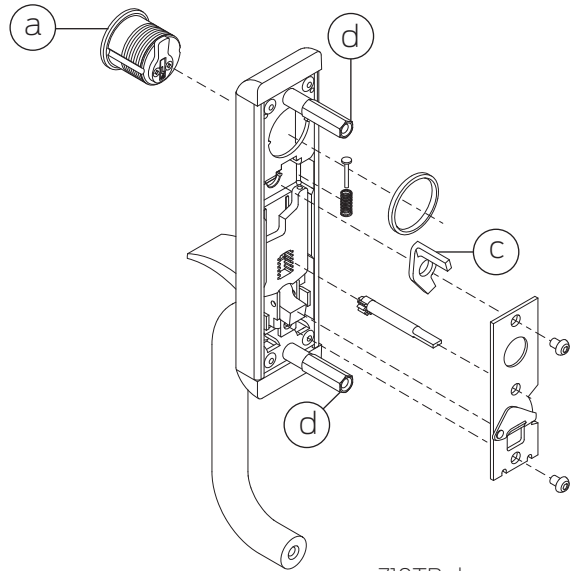
**710TP and 710TP-BE**



**710TP**



**710TP-BE**



710TP shown

| No. | Qty. | Part no. | Description   | Notes |
|-----|------|----------|---|-------|
| a   | 1    | 986      | 1 ¼" Mortise Cylinder (US3, US4, US10, US10B, US26D, US32, US32D) | B     |
| c   | 1    | 650314   | Locking Plate   |       |
| d   | 2    | 4270     | 700 Series Trim Hex Stud  |       |

B. Specify by finish shown

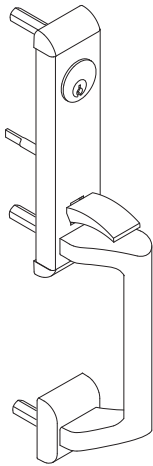
**Specifications:**

Escutcheon: 1 ¾" x 7 ¼"  
 Projection: 2 ¼"  
 Overall Length: 11 ¾"

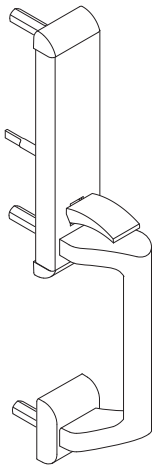
24 Series

24 Series: Delta thumbpiece (718) trim for rim and vertical device

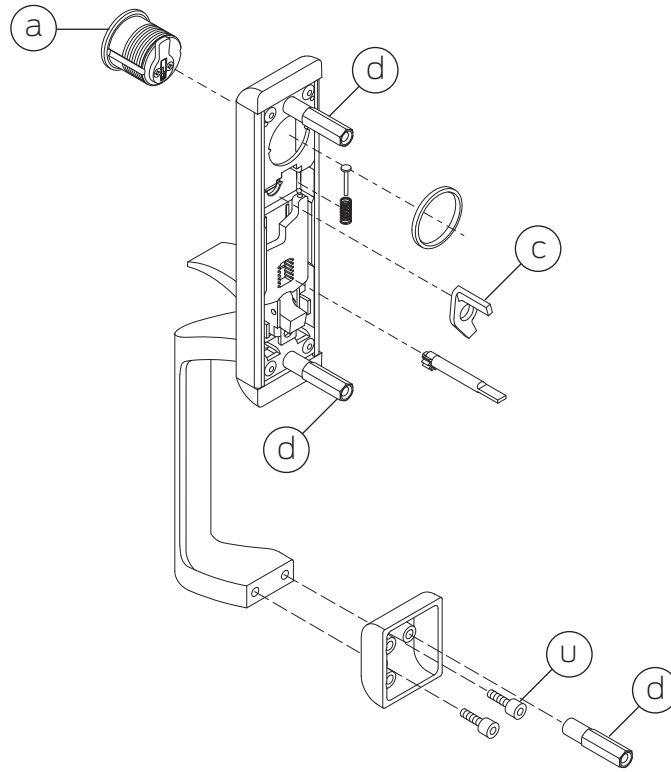
718TP and 718TP-BE



718TP



718TP-BE



718TP shown

| No. | Qty. | Part no. | Description  | Notes |
|-----|------|----------|--|-------|
| a   | 1    | 986      | 1 1/8" Mortise Cylinder (US3, US4, US10, US10B, US26D, US32, US32D)                  | B     |
| c   | 1    | 661560   | 700/900 Locking Plate  |       |
| d   | 3    | 4270     | 700 Series Trim Hex Stud   |       |
| u   | 1    | 600288   | 717/718/719 Pull Grip Screw package (10 - 1/4 - 20 x 1/2" Hex Socket Head Cap Screw) |       |

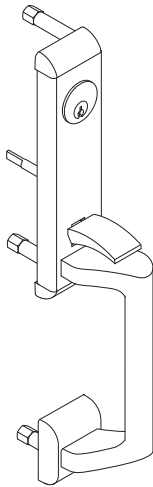
B Specify by finish shown

**Specifications:**

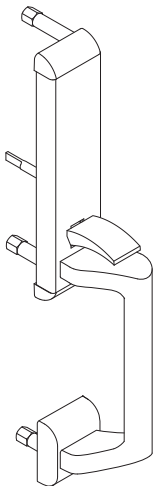
Escutcheon: 1 3/4" x 7 1/4"  
 Projection: 2"  
 Overall Length: 13"

## 24 Series: Delta thumbpiece (718) trim for concealed device

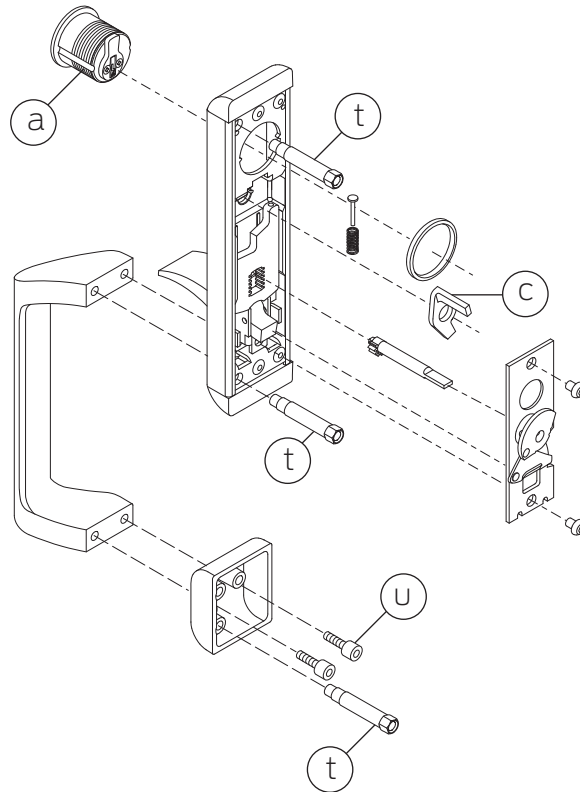
### 718TP and 718TP-BE



**718TP**



**718TP-BE**



718TP shown

| No. | Qty. | Part no. | Description   | Notes |
|-----|------|----------|---|-------|
| a   | 1    | 986      | 1 1/8" Mortise Cylinder (US3, US4, US10, US10B, US26D, US32, US32D)                   | B     |
| c   | 1    | 661560   | 700/900 Locking Plate   |       |
| t   | 3    | 4349     | Control Hex Stud  |       |
| u   | 1    | 600288   | 717/718/719 Pull Grip Screw package (10 - 1/4" - 20 x 1/2" Hex Socket Head Cap Screw) |       |

B Specify by finish shown

**Specifications:**

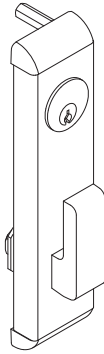
Escutcheon: 1 3/4" x 7 1/4"  
 Projection: 2"  
 Overall Length: 13"



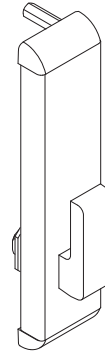
**24 Series**

24 Series: turn lever (719) trim for surface vertical device

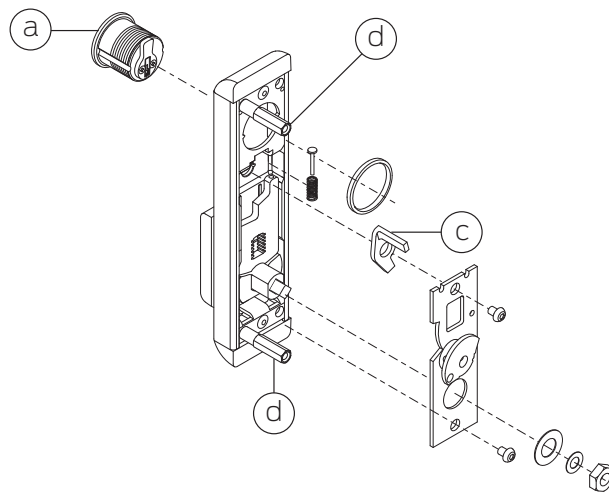
**719TL and 719TL-BE**



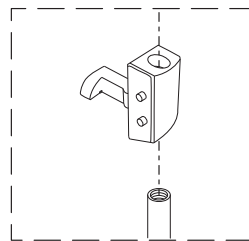
**719TL**



**719TL-BE**



Rod member  
for 719TL, 719TL-BE  
24-V devices



| No. | Qty. | Part no. | Description   | Notes |
|-----|------|----------|---|-------|
| a   | 1    | 986      | 1 1/4" Mortise Cylinder (US3, US4, US10, US10B, US26D, US32, US32D) | B     |
| c   | 1    | 661560   | Locking Plate   |       |
| d   | 2    | 4270     | 700 Series Trim Hex Stud  |       |

B Specify by finish shown

**Specifications:**

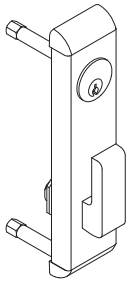
Escutcheon: 1 3/4" x 7 1/4"

Projection: 1 3/4"

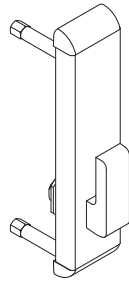
24 Series

24 Series: turn lever (719) trim for concealed vertical device

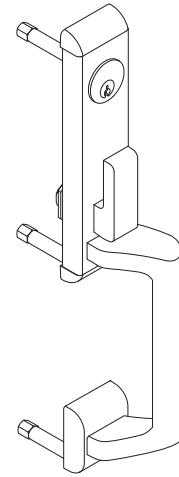
719TL, 719TL-BE and 719TLP



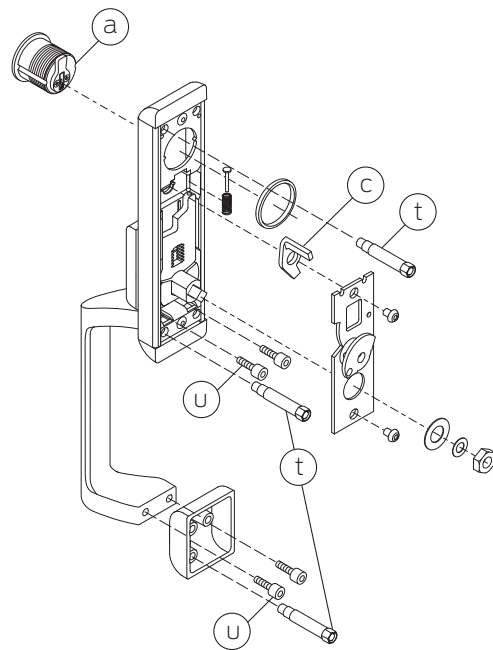
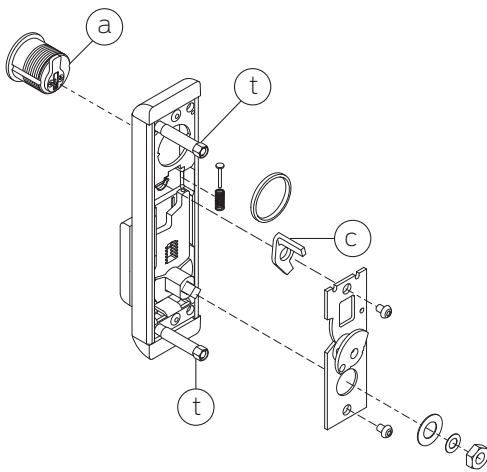
719TL



719TL-BE



719TLP



| No. | Qty. | Part no. | Description   | Notes |
|-----|------|----------|---|-------|
| a   | 1    | 986      | 1 1/4" Mortise Cylinder (US3, US4, US10, US10B, US26D, US32, US32D)                   | B     |
| c   | 1    | 661560   | Locking Plate   |       |
| t   | 3    | 4349     | Control Hex Stud  |       |
| u   | 1    | 600288   | 717/718/719 Pull Grip Screw package of 10 (1/4 - 20 x 1/2" Hex Socket Head Cap Screw) |       |

B Specify by finish shown.

**Specifications:**

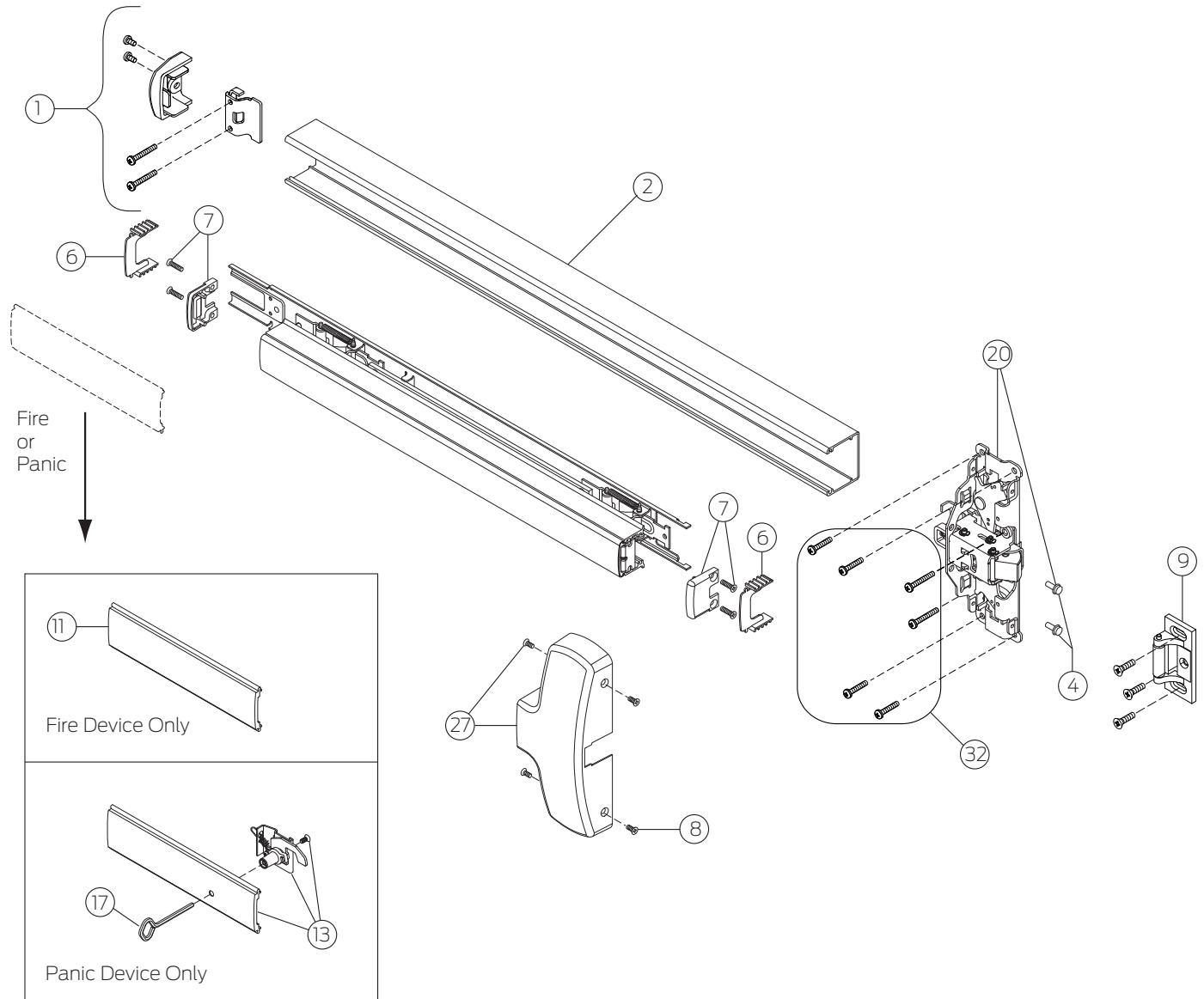
Escutcheon: 1 3/4" x 7 1/4"  
 Projection: 1 3/4"  
 Overall Length: 13"

# 25 Series

- 47 (F)25 rim exit device
- 49 25-V surface vertical rod exit device
- 51 (F)25-V surface vertical rods and latches
- 53 (F)25-C concealed vertical rod exit device
- 55 (F)25-C and F-25-C-WDC-90 concealed vertical rods and latches
- 57 25-C-WDC and F-25-C-WDC-20 concealed vertical rods and latches
- 59 (F)25-M mortise exit device
- 61 25 Series trim: lever (510), vandal resistant (vr) lever (511), knob (513)
- 63 25 Series trim: lever (510), knob (513)
- 65 25 Series trim: thumbpiece (512)
- 67 25 Series trim: thumbpiece (512)
- 69 25 Series trim: delta pull
- 70 25 Series trim: FSA/FSE, electric lock/unlock
- 71 24/25 Series channel cover plate options
- 72 24/25 Series electrical options
- 74 (F)25-R-L-2 double cylinder option
- 75 24/25 Series miscellaneous kits and parts
- 77 Refill parts/packages

# (F)25 rim exit device

## Panic and fire



## 25 Series

| No. | Qty. | Part no. | Description                      | Package contents  | Notes                  |   |
|-----|------|----------|----------------------------------|---|------------------------|---|
| 1   | 1    | 650294   | 25 Channel Endcap Kit 1 ¾" Door  | 1- Channel Endcap   | A                      |   |
|     |      |          |                                  | 2- #10-24 x ⅜" PPHMS  |                        |   |
|     |      |          |                                  | 1- Channel Endcap Bracket                                   |                        |   |
|     |      |          |                                  | 2- #10 x 1 ¼" PPHSMS  |                        |   |
|     |      |          |                                  | 2- #10-24 x 1" PPHMS  |                        |   |
|     | 1    | 650348   | 25 Channel Endcap Kit 2 ¼" Door  | 1- Channel Endcap   | A                      |   |
|     |      |          |                                  | 2- #10-24 x ⅜" PPHMS  |                        |   |
|     |      |          |                                  | 1- Channel Endcap Bracket                                   |                        |   |
|     |      |          |                                  | 2- #10 x 1 ¼" PPHSMS  |                        |   |
|     |      |          |                                  | 2- #10-24 x 1" PPHMS  |                        |   |
| 2   | 1    | 661412   | 25 Channel 3'                    |   | A                      |   |
|     |      | 661413   | 25 Channel 4                     |   |                        |   |
| 4   | 1    | 600305   | 25 Channel Screw package of 10   | #10-16 x ½" Hex Washer Head Taptite                         |                        |   |
| 6   | 1    | 600319   | 25 Pushbar Guide Pkg             | 2- Pushbar Guide  |                        |   |
| 7   | 1    | 600310   | 25 Pushbar Endcap Kit            | 2- Pushbar Endcap   | A                      |   |
|     |      |          |                                  | 4- #8-18 x ¾" FPHSMS  |                        |   |
| 8   | 1    | 600307   | 25 Center Case Cover Screw Pkg   | 4- #8-18 x ⅜" UFPHSMS                                       | A                      |   |
| 9   | 1    | 299      | 299 Strike                       |   | C                      |   |
| 11  | 1    | 650227   | F-25 Channel Cover Plate 3'      |   | A, B                   |   |
|     |      | 650228   | F-25 Channel Cover Plate 4'      |   |                        |   |
| 13  | 1    | 650191   | 25 Hex Dogging Kit 3'            | 1- Panic Channel Cover (3' or 4")<br>1- Dogging Subassembly | A, B                   |   |
|     |      | 650192   | 25 Hex Dogging Kit 4'            | 1- #8-32 x ⅜" UFPHMS  |                        |   |
| 17  | 1    | 060109   | Hex Dogging Key ⅞" package of 10 |   |                        |   |
| 20  | 1    | 650239   | 25-R Center Case Kit, Panic      | 1- Center Case  |                        |   |
|     |      | 650240   | F-25-R Center Case Kit, Fire     | 2- #10-16 x ½" Hex Washer Head Taptite                      |                        |   |
| 27  | 1    | 650255   | (F)25-R Center Case Cover Kit    | 1- Head Cover   | A                      |   |
|     |      |          |                                  | 4- #8-18 x ⅜" UFPHSMS                                       |                        |   |
| 32  | 1    | 650345   | (F)25-R/M Mounting Pkg 1 ¾" Door | 6- #10 x 1 ¼" PPHSMS  | *                      |   |
|     |      |          |                                  | 4- #10-24 x ¾" PPHMS  |                        |   |
|     |      |          |                                  | 2- #10-24 x 1" PPHMS  |                        |   |
|     |      |          |                                  | 1- Tailpiece Guide  |                        | * |
|     |      |          | 650293                           | (F)25-R/M Mounting Pkg 2 ¼" Door                            | 6- #10 x 1 ¼" PPHSMS   | * |
|     |      |          |                                  |   | 4- #10-24 x 1 ¼" PPHMS |   |
|     |      |          |                                  |   | 2- #10-24 x 1 ½" PPHMS |   |
|     |      |          |                                  |   | 1- Tailpiece Guide     |   |

\* Item(s) not shown.

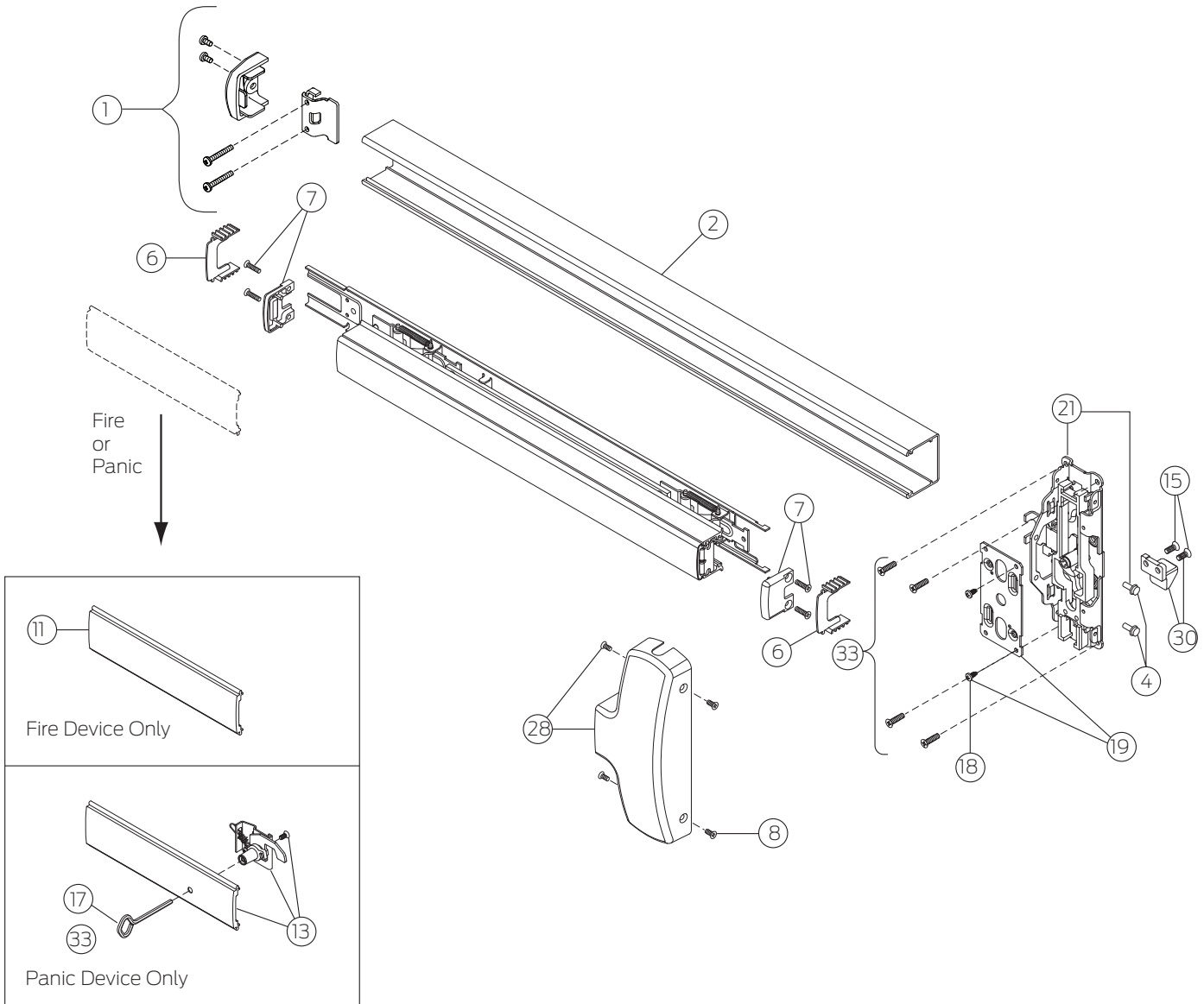
A Specify by finish: US3, US4, US10, US26, US26D, US32, US32D, US28, 313AN

B Channel Covers for CD, EA, HWEA, KOR, shown on **page 71**

C Specify by finish: US3, US4, US10, US19, US26, US26D, SP313

# 25-V surface vertical rod exit device

## Panic and fire



| No. | Qty. | Part no. | Description                       | Package contents   | Notes |
|-----|------|----------|-----------------------------------|--|-------|
| 1   | 1    | 650294   | 25 Channel Endcap Kit 1 3/4" Door | 1- Channel Endcap<br>2- #10-24 x 3/8" PPHMS<br>1- Channel Endcap Bracket<br>2- #10-24 x 1" PPHMS<br>2- #10 x 1 1/4" PPHSMS | A     |
| 1   | 1    | 650348   | 25 Channel Endcap Kit 2 1/2" Door | 1- Channel Endcap<br>2- #10-24 x 3/8" PPHMS<br>1- Channel Endcap Bracket<br>2- #10-24 x 1" PPHMS<br>2- #10 x 1 1/4" PPHSMS | A     |

## 25 Series

| No.                   | Qty. | Part no. | Description                            | Package contents                               | Notes |
|-----------------------|------|----------|--|--|-------|
| 2                     | 1    | 661412   | 25 Channel 3'                          |  | A     |
|                       |      | 661413   | 25 Channel 4'                          |  |       |
| 4                     | 1    | 600305   | 25 Channel Screw package of 10         | 10– #10-16 x ½" Hex Washer Head Taptite        |       |
| 6                     | 1    | 600319   | 25 Pushbar Guide Pkg                   | 2– Pushbar Guide                               |       |
| 7                     | 1    | 600310   | 25 Pushbar Endcap Kit                  | 2– Pushbar Endcap                              | A     |
|                       |      |          |  | 4– #8-18 x ¾" FPHSMS                           |       |
| 8                     | 1    | 600307   | 25 Center Case Cover Screw Pkg         | 4– #8-18 x ¾" UFPHMS                           | A     |
| 11                    | 1    | 650227   | F-25 Channel Cover Plate 3'            |  | A     |
|                       |      | 650228   | F-25 Channel Cover Plate 4'            |  |       |
| 13                    | 1    | 650191   | 25 Hex Dogging Kit 3'                  | 1– Panic Channel Cover (3' or 4")              | A     |
|                       |      | 650192   | 25 Hex Dogging Kit 4'                  | 1– Dogging Subassembly<br>1– #8-32 x ¾" UFPHMS |       |
| 15                    | 1    | 600309   | 25-V/C Finger Screw Pkg                | 2– #10-24 x ¾" UFPHMS                          |       |
| 17                    | 1    | 060109   | Hex Dogging Key 7/32" package of 10    |  |       |
| 18                    | 1    | 600308   | 25-V/M/C Center Case Housing Screw Pkg | 2– #8-32 x ¾" PPHMS Trilob                     |       |
| 19                    | 1    | 650261   | 25-V/M/C Center Case Housing Kit       | 2– #8-32 x ¾" PPHMS Trilob                     |       |
|                       |      |          |  | 1– Vertical Housing                            |       |
| 21                    | 1    | 650242   | (F)25-V Center Case Kit                | 1– Center Case                                 |       |
|                       |      |          |  | 2– #10-16 x ½" Hex Washer Head Taptite         |       |
| 28                    | 1    | 650257   | (F)25-V Center Case Cover Kit          | 1– Head Cover                                  | A     |
|                       |      |          |  | 4– #8-18 x ¾" UFPHMS                           |       |
| 30                    | 1    | 650262   | 25-V Center Case Finger Kit            | 2– #10-24 x ¾" UFPHMS                          |       |
|                       |      |          |  | 1– Vertical Finger                             |       |
| 33                    | 1    | 650315   | 25-V Mounting Pkg 1 ¾" – 2 ¼" Door     | 6– #10 x 1 ¼" PPHSMS                           | *     |
|                       |      |          |  | 4– #10 x 1 ¼" FPHSMS                           | *     |
|                       |      |          |  | 1– ½ x 1" Cotter Key                           | *     |
|                       |      |          |  | 1– Dogging Key                                 |       |
|                       |      | 650316   | F-25-V Mounting Pkg 1 ¾" Door          | 6– #10-24 x ¾" PPHMS                           |       |
|                       |      |          |  | 4– #10-24 x ¾" FPHMS                           | *     |
|                       |      |          |  | 1– ½ x 1" Cotter Key                           | *     |
|                       |      | 650295   | F-25-V Mounting Pkg 2 ¼" Door          | 6– #10-24 x 1 ¼" PPHMS                         | *     |
|                       |      |          |  | 4– #10-24 x 1 ¼" FPHMS                         | *     |
| 1– ½" x 1" Cotter Key | *    |          |  |  |       |

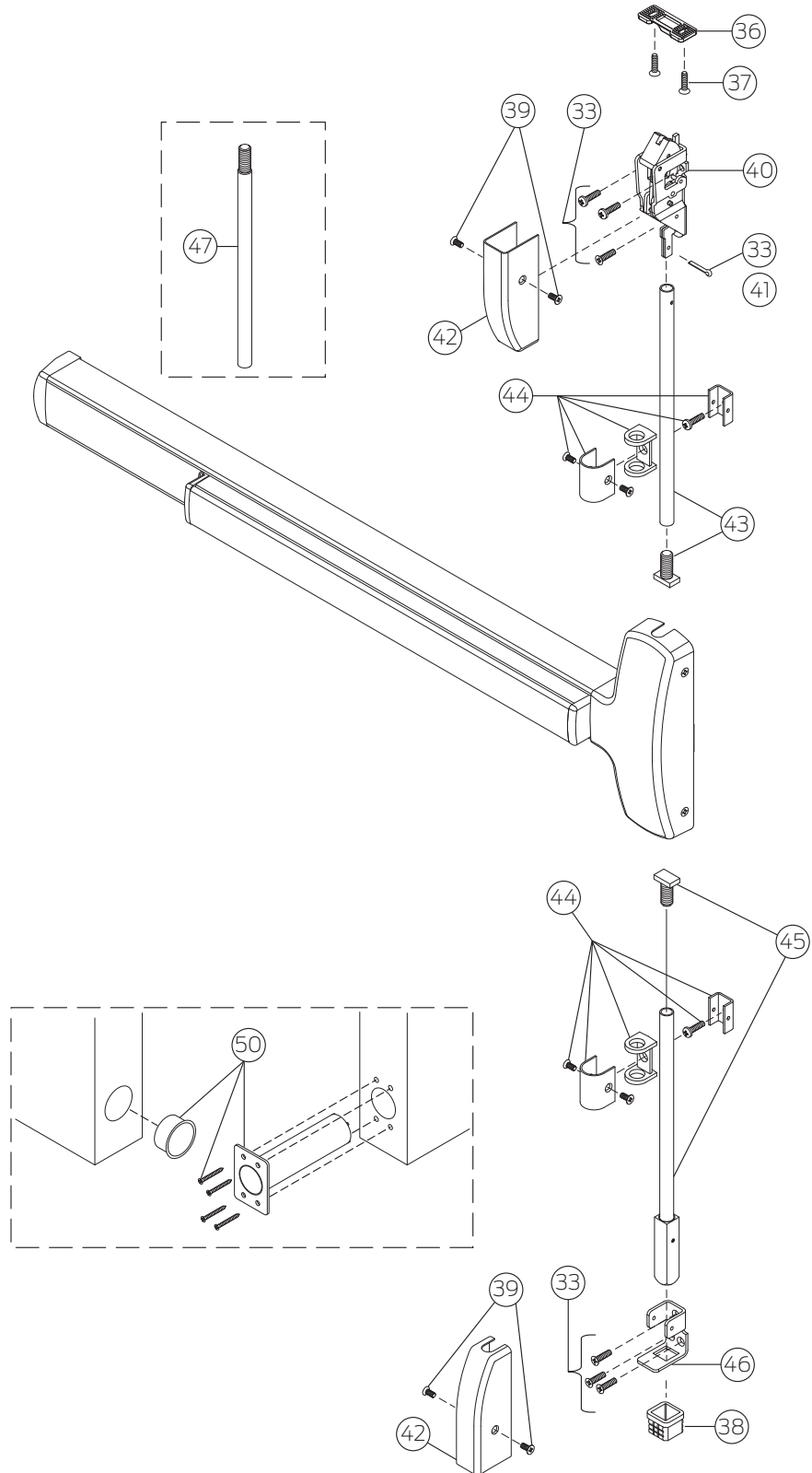
\* Item(s) not shown.

A Specify by finish: US3, US4, US10, US26, US26D, US32, US32D, US28, 313AN

B Channel Covers for CD, EA, HWEA, KOR, shown on **page 71**

# (F)25-V surface vertical rods and latches

## Panic and fire





## 25 Series

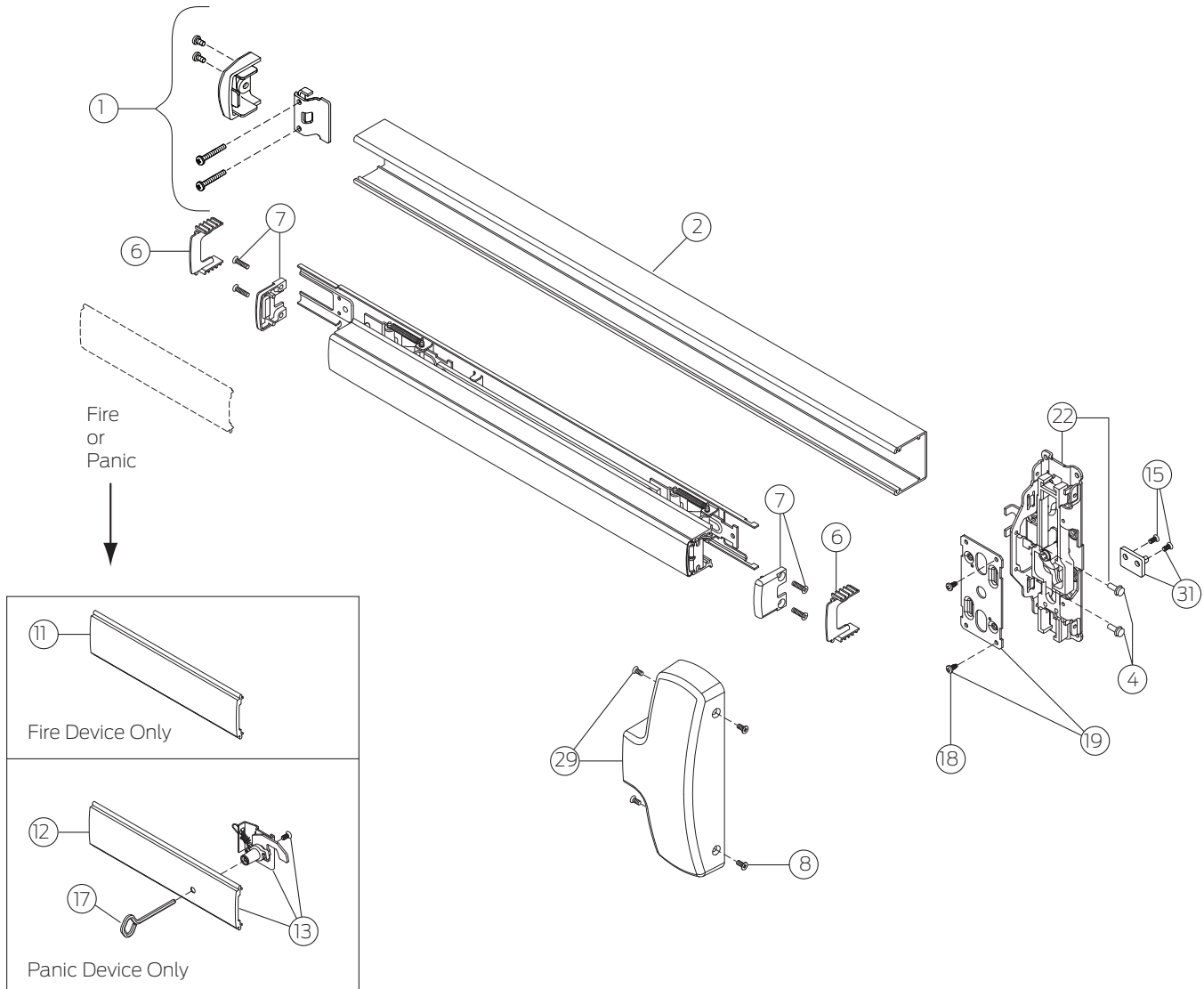
| No. | Qty. | Part no. | Description   | Package contents       | Notes |
|-----|------|----------|---|------------------------|-------|
| 33  | 1    | 650315   | 25-V Mounting Pkg 1 ¾" – 2 ¼" Door                        | 4– #10 x 1 ¼" FPHSMS   | *     |
|     |      |          |   | 6– #10 x 1 ¼" PPHSMS   | *     |
|     |      |          |   | 1– ½ x 1" Cotter Key   |       |
|     |      |          |   | 1– Dogging Key         | *     |
|     |      | 650316   | F-25-V Mounting Pkg 1 ¾" Door                             | 4– #10-24 x ¾" FPHMS   | *     |
|     |      |          |   | 6– #10-24 x ¾" PPHMS   |       |
|     |      |          |   | 1– ½ x 1" Cotter Key   |       |
|     |      | 650295   | F-25-V Mounting Pkg 2 ¼" Door                             | 4– #10-24 x 1 ¼" FPHMS | *     |
|     |      |          |   | 6– #10-24 x 1 ¼" PPHMS | *     |
|     |      |          |   | 1– ½" x 1" Cotter Key  |       |
| 36  | 1    | 3788     | Vertical Rod Top Strike                                   |                        |       |
| 37  | 2    | 660002   | #10 x 1 ¼" FPHSMS   |                        |       |
| 38  | 1    | 2130     | Vertical Rod Bottom Strike                                |                        |       |
| 39  | 1    | 650336   | 25-V Latch Case Cover Mounting Pkg                        | 4– #8-32 x ¼" UFPHMS   |       |
| 40  | 1    | 650389   | 25-V Top Latch Case                                       |                        |       |
|     |      | 650375   | F-25-V Top Latch Case                                     |                        |       |
| 41  | 1    | 060111   | ½" x 1" Cotter Key package of 10                          |                        |       |
| 42  | 2    | 650202   | 25-V Latch Case Cover Kit                                 |                        | A     |
| 43  | 1    | 3777     | 25-V Top Rod Kit  |                        | A     |
| 44  | 2    | 650311   | 25-V Rod Guide Kit  |                        | A     |
| 45  | 1    | 610055   | 25-V Bottom Rod Kit                                       |                        | A     |
| 46  | 1    | 650387   | 25-V Bottom Bolt Guide                                    |                        | A     |
| 47  | 1    | 650006   | Vertical Extension Rod 12"                                |                        | A     |
|     |      | 650007   | Vertical Extension Rod 24"                                |                        |       |
|     |      | 650008   | Vertical Extension Rod 36"                                |                        |       |
| 50  | 1    | 5494     | Auxiliary Fire Pin Kit (Less Bottom Rod application only) |                        |       |

\* Item(s) not shown.

A Specify by finish: US3, US4, US10, US26, US26D, US32, US32D, US28, 313AN

# (F)25-C concealed vertical rod exit device

## Panic and fire



NOTE: (F)25-C Mounting Package(s) shown on **page 57**

## 25 Series

| No. | Qty. | Part no. | Description                            | Package contents   | Notes |
|-----|------|----------|--|--|-------|
| 1   | 1    | 650294   | 25 Channel Endcap Kit 1 ¾" Door        | 1- Channel Endcap<br>2- #10-24 x ¾" PPHMS<br>1- Channel Endcap Bracket<br>2- #10-24 x 1" PPHMS<br>2- #10 x 1 ¼" PPHSMS | A     |
|     | 1    | 650348   | 25 Channel Endcap Kit 2 ¼" Door        | 1- Channel Endcap<br>2- #10-24 x ¾" PPHMS<br>1- Channel Endcap Bracket<br>2- #10-24 x 1" PPHMS<br>2- #10 x 1 ¼" PPHSMS |       |
| 2   | 1    | 661412   | 25 Channel 3'                          |  | A     |
|     |      | 661413   | 25 Channel 4'                          |  |       |
| 4   | 1    | 600305   | 25 Channel Screw package of 10         | #10-16 x ½" Hex Washer Head Taptite  |       |
| 6   | 1    | 600319   | 25 Pushbar Guide Pkg                   | 2- Pushbar Guide   |       |
| 7   | 1    | 600310   | 25 Pushbar Endcap Kit                  | 2- Pushbar Endcap  | A     |
|     |      |          |  | 4- #8-18 x ¾" FPHSMS   |       |
| 8   | 1    | 600307   | 25 Center Case Cover Screw Pkg         | 4- #8-18 - ⅜" UFPHMS   | A     |
| 11  | 1    | 650227   | F-25 Channel Cover Plate 3'            |  | A, B  |
|     |      | 650228   | F-25 Channel Cover Plate 4'            |  |       |
| 13  | 1    | 650191   | 25 Hex Dogging Kit 3'                  | 1- Panic Channel Cover (3' or 4')<br>1- Dogging Subassembly  | A, B  |
|     |      | 650192   | 25 Hex Dogging Kit 4'                  | 1- #8-32 x ⅜" UFPHMS   |       |
| 15  | 1    | 600309   | 25-V/C Center Case Finger Screw Pkg    | 2- #10-24 x ⅜" UFPHMS  |       |
| 17  | 1    | 060109   | Hex Dogging Key 7/32" package of 10    |  |       |
| 18  | 1    | 600308   | 25-V/M/C Center Case Housing Screw Pkg | 2- #8-32 x ⅜" PPHMS Trilob Housing   |       |
| 19  | 1    | 650261   | 25-V/M/C Center Case Housing Kit       | 2- #8-32 x ⅜" PPHMS Trilob Housing   |       |
|     |      |          |  | 1- Vertical Housing  |       |
| 22  | 1    | 650244   | 25-C, CWDC Center Case Kit             | 1- Center Case   |       |
|     |      |          |  | 2- #10-16 x ½" Hex Washer Head Taptite   |       |
| 29  | 1    | 650259   | (F)25-C/M Center Case Cover Kit        | 1- Center Case   | A     |
|     |      |          |  | 4- #8-18 - ⅜" UFPHMS   |       |
| 31  | 1    | 650263   | 25-C Center Case Finger Kit            | 2- #10-24 x ⅜" UFPHMS  |       |
|     |      |          |  | 1- Concealed Finger  |       |

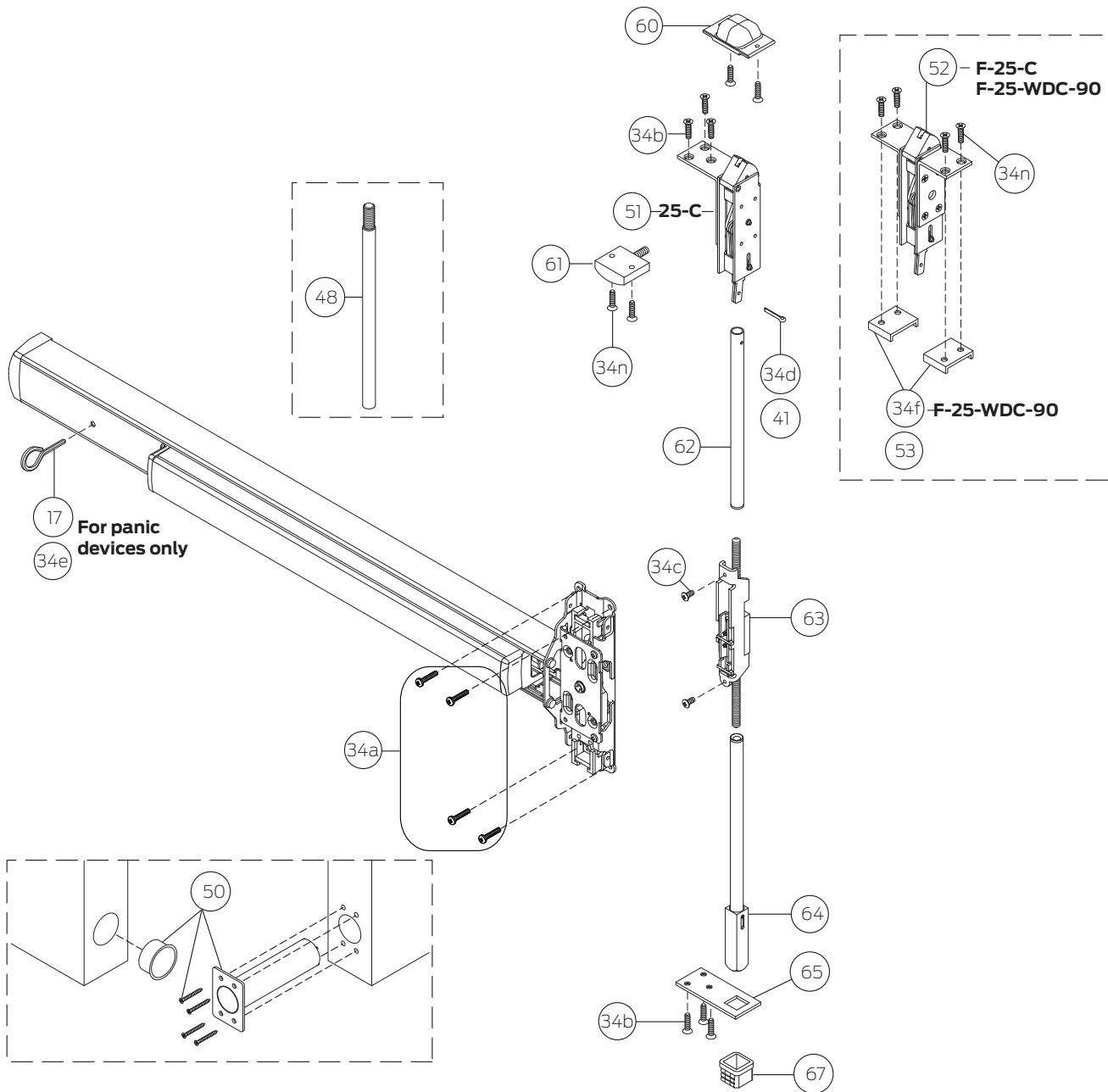
A Specify by finish: US3, US4, US10, US26, US26D, US32, US32D, US28, 313AN

B Channel Covers for CD, EA, HWEA, KOR, shown on **page 71**

# (F)25-C and F-25-C-WDC-90 concealed vertical rods and latches

## Metal door—panic and fire, wood door—90 minute fire device

25-C Panic Device shown



| No. | Qty. | Part no. | Description                         | Package contents   | Notes |
|-----|------|----------|-------------------------------------|--|-------|
| 17  | 1    | 060109   | Hex Dogging Key 7/32" package of 10 |  |       |
| 34  | 1    | 650317   | F-25-C Mounting Pkg 1 3/4" Door     | 34a 8- #10-24 x 3/4" PPHMS<br>34b 7- #10-24 x 3/4" FPHMS<br>34c 2- #8-32 x 3/8" UFPHMS<br>34d 1- 1/8 x 1" Cotter Key<br>— 2- 1/4-20 x 3/4" PPHMS | *     |

## 25 Series

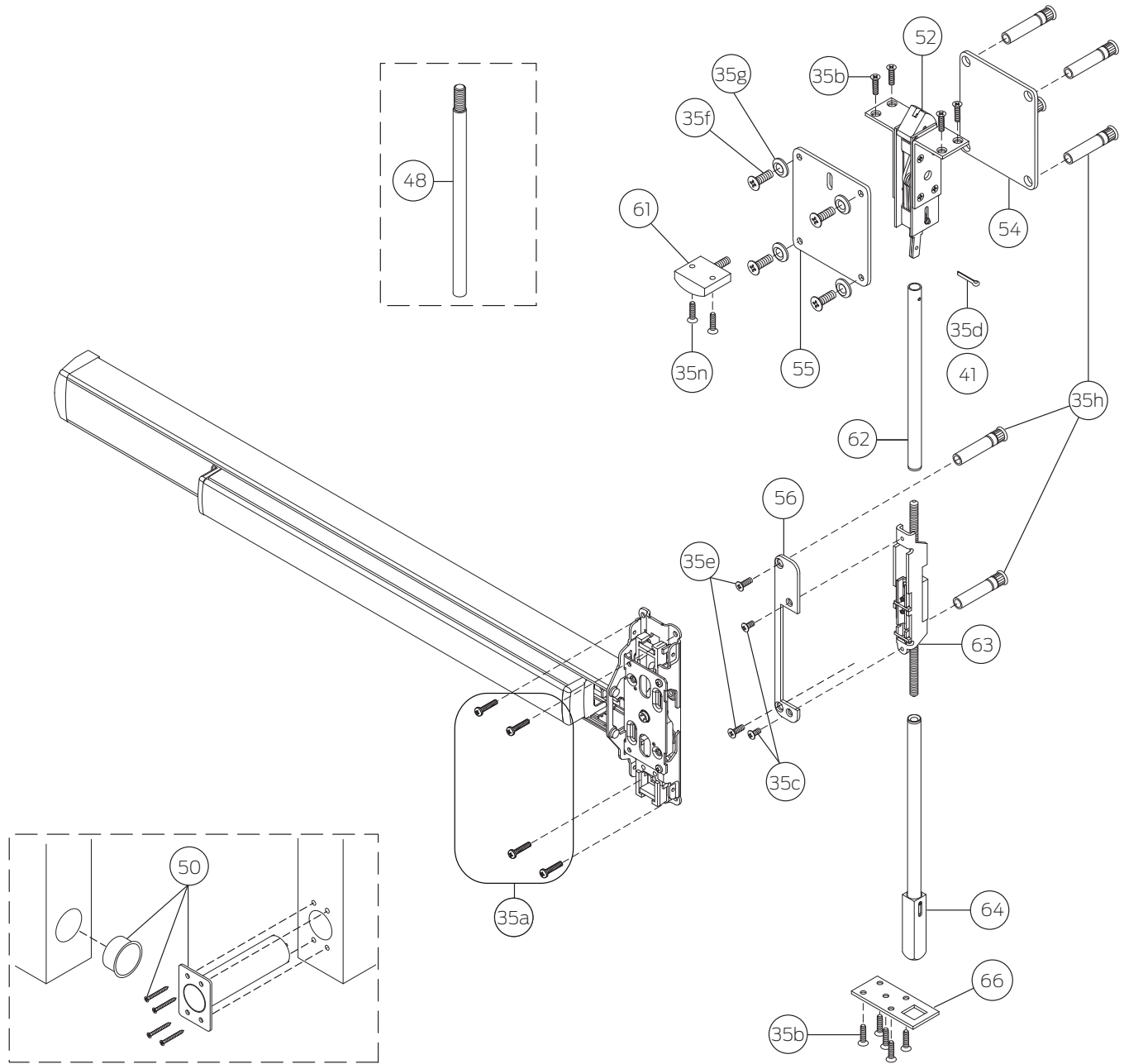
| No. | Qty. | Part no. | Description   | Package contents |                                    | Notes |                        |   |
|-----|------|----------|---|------------------|------------------------------------|-------|------------------------|---|
| 34  | 1    | 650318   | 25-C Mounting Pkg 1 3/4" Door                               | 34a              | 8- #10 x 1 1/4" PPHSMS             | *     |                        |   |
|     |      |          |   | 34b              | 6- #10-24 x 3/4" FPHMS             |       |                        |   |
|     |      |          |   | 34c              | 2- #8-32 x 3/8" UFPHMS             |       |                        |   |
|     |      |          |   | 34d              | 1- 1/8 x 1" Cotter Key             |       |                        |   |
|     |      |          |   | 34e              | 1- Dogging Key                     |       |                        |   |
|     |      |          |   |                  |                                    | —     | 2- #14 x 1" PPHSMS     | * |
|     |      |          |   | 650299           | F-25-CWDC Mounting Pkg 1 3/4" Door | 34a   | 4- #10 x 1 1/4" PPHSMS | * |
|     |      |          |   |                  |                                    | 34a   | 8- #10-24 x 3/4" PPHMS |   |
|     |      |          |   |                  |                                    | 34b   | 3- #10 x 1 1/4" FPHSMS | * |
|     |      |          |   |                  |                                    | 34c   | 2- #8-32 x 3/8" UFPHMS |   |
|     |      |          |   |                  |                                    | 34d   | 1- 1/8 x 1" Cotter Key |   |
|     |      |          |   |                  |                                    | 34f   | 2- Latch Bracket       |   |
|     |      |          |   |                  |                                    | 34n   | 6- #10-24 x 3/4" FPHMS |   |
|     |      |          |   | 650296           | F-25-CWDC Mounting Pkg 2 1/4" Door | 34a   | 4- #10 x 1 1/4" PPHSMS | * |
|     |      |          |   |                  |                                    | 34a   | 8- #10-24 x 3/4" PPHMS |   |
|     |      |          |   |                  |                                    | 34b   | 3- #10 x 1 1/4" FPHSMS | * |
|     |      |          |   |                  |                                    | 34c   | 2- #8-32 x 3/8" UFPHMS |   |
|     |      |          |   |                  |                                    | 34d   | 1- 1/8 x 1" Cotter Key |   |
|     |      |          |   |                  |                                    | 34f   | 2- Latch Bracket       |   |
|     |      |          |   |                  |                                    | 34n   | 6- #10-24 x 3/4" FPHMS |   |
|     |      | 650300   | 25-C Mounting Pkg 2 1/4" Door                               | 34a              | 8- #10 x 1 1/4" PPHSMS             | *     |                        |   |
|     |      |          |   | 34b              | 6- #10-24 x 1 1/4" FPHMS           |       |                        |   |
|     |      |          |   | 34c              | 2- #8-32 x 3/8" UFPHMS             |       |                        |   |
|     |      |          |   | 34d              | 1- 1/8 x 1" Cotter Key             |       |                        |   |
|     |      |          |   | 34e              | 1- Dogging Key                     |       |                        |   |
|     |      |          |   | —                | 2- #14 x 1" PPHSMS                 | *     |                        |   |
|     |      | 650346   | F-25-C Mounting Pkg 2 1/4" Door                             | 34a              | 8- #10-24 x 1 1/4" PPHMS           |       |                        |   |
|     |      |          |   | 34b              | 7- #10-24 x 1 1/4" FPHMS           |       |                        |   |
|     |      |          |   | 34c              | 2- #8-32 x 3/8" UFPHMS             |       |                        |   |
|     |      |          |   | 34d              | 1- 1/8 x 1" Cotter Key             |       |                        |   |
|     |      |          |   | —                | 2- 1/2-20 x 1 1/4" PPHMS           | *     |                        |   |
| 41  | 1    | 060111   | 1/8 x 1" Cotter Key package of 10                           |                  |                                    |       |                        |   |
| 48  | 1    | 650017   | Concealed Vertical Extension Rod 12"                        |                  |                                    |       |                        |   |
|     |      | 650018   | Concealed Vertical Extension Rod 24"                        |                  |                                    |       |                        |   |
|     |      | 650019   | Concealed Vertical Extension Rod 36"                        |                  |                                    |       |                        |   |
| 50  | 1    | 5494     | Auxiliary Fire Latch Kit (Less Bottom Rod application only) |                  |                                    |       |                        |   |
| 51  | 1    | 603L     | 25-C, CWDC Top Latch Case LHR                               |                  |                                    |       |                        |   |
|     |      | 603R     | 25-C, CWDC Top Latch Case RHR                               |                  |                                    |       |                        |   |
| 52  | 1    | F603     | F-25-C Top Latch Case                                       |                  |                                    |       |                        |   |
| 53  | 2    | 4694     | F-25 CWDC Latch Bracket                                     |                  |                                    |       |                        |   |
| 60  | 1    | 4188     | Concealed Vertical Top Rod Strike                           |                  |                                    |       |                        |   |
| 61  | 1    | 650339   | (F)25-C, CWDC Top Latch Release Kit                         |                  |                                    | A     |                        |   |
| 62  | 1    | 610061   | (F)25-C, CWDC Top Rod Kit                                   |                  |                                    |       |                        |   |
| 63  | 1    | 650376   | (F)25-C, CWDC Center Slide Assembly                         |                  |                                    |       |                        |   |
| 64  | 1    | 610057   | (F)25-C, CWDC Bottom Rod Kit                                |                  |                                    |       |                        |   |
| 65  | 1    | 4567     | 25-C Bottom Bolt Guide                                      |                  |                                    |       |                        |   |
| 67  | 1    | 2130     | Vertical Rod Bottom Strike                                  |                  |                                    |       |                        |   |

\* Items for 24 Series devices only, not shown.

A Specify by finish: US3, US4, US10, US26, US26D, US32, US32D, US28, 313AN

# 25-C-WDC and F-25-C-WDC-20 concealed vertical rods and latches

Wood door—panic devices, wood door—20 minute fire device



F-25-C-WDC-20 Device shown

## 25 Series

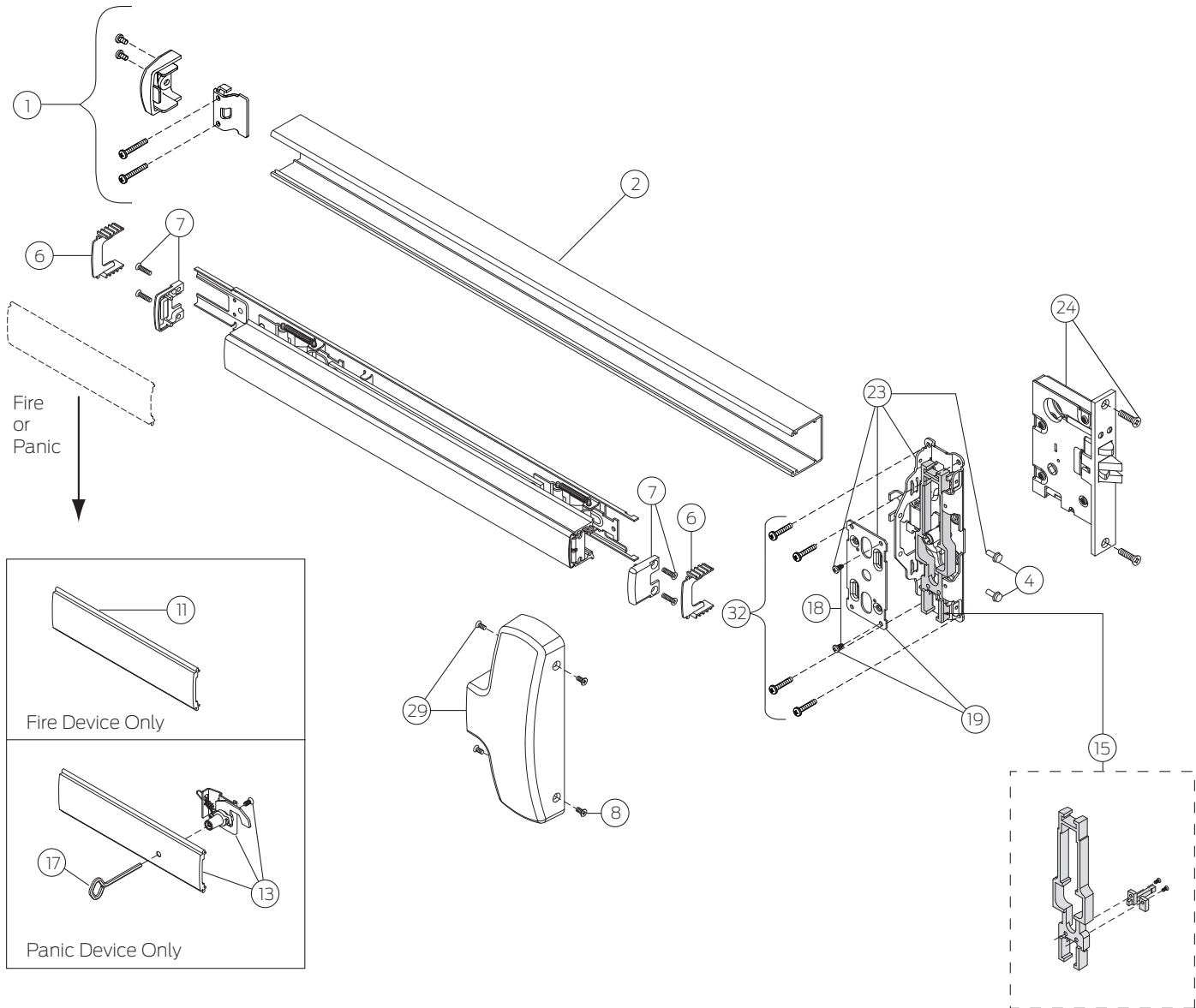
| No. | Qty. | Part no. | Description   | Package contents |                            | Notes |
|-----|------|----------|---|------------------|----------------------------|-------|
| 17  | 1    | 060109   | Hex Dogging Key 7/32" package of 10                         |                  |                            |       |
| 35  | 1    | 650299   | F-25-CWDC Mounting Pkg 1 3/4" Door                          | 35a              | 8- #10 x 1 1/4" PPHSMS     | A     |
|     |      |          |   | —                | 4- #10-24 x 1" PPHMS       |       |
|     |      |          |   | 35b              | 11- #10 x 1 1/4" FPHSMS    |       |
|     |      |          |   | 35c              | 2- #8-32 x 3/8" UFPHMS     |       |
|     |      |          |   | 35d              | 1- 1/8 x 1" Cotter Key     |       |
|     |      |          |   | 35e              | 2- 3/4" CS Plate Mtg Screw |       |
|     |      |          |   | 35f              | 4- 1/4-20 x 3/4" FPHMS     |       |
|     |      |          |   | 35g              | 4- 1/4" CS Washer          |       |
|     |      |          |   | 35h              | 6- 1/4-20 Through bolt     |       |
|     |      |          |   | 35n              | 4- #10-24 x 3/4" FPHMS     |       |
|     |      | 650296   | 25-CWDC Mounting Pkg 2 1/4" Door                            | 35a              | 8- #10 x 1 1/4" PPHSMS     | A     |
|     |      |          |   | —                | 4- #10-24 x 1 1/2" PPHMS   |       |
|     |      |          |   | 35b              | 11- #10 x 1 1/4" FPHSMS    |       |
|     |      |          |   | 35c              | 2- #8-32 x 3/8" UFPHMS     |       |
|     |      |          |   | 35d              | 1- 1/8 x 1" Cotter Key     |       |
|     |      |          |   | 35e              | 2- 3/4" CS Plate Mtg Screw |       |
|     |      |          |   | 35f              | 4- 1/4-20 x 1 1/4" FPHMS   |       |
|     |      |          |   | 35g              | 4- 1/4" CS Finish Washer   |       |
|     |      |          |   | 35h              | 6- 1/4-20 Through bolt     |       |
|     |      |          |   | 35n              | 2- #10-24 x 3/4" FPHMS     |       |
| 41  | 1    | 060111   | 1/8 x 1" Cotter Key package of 10                           |                  |                            |       |
| 48  | 1    | 650017   | Concealed Vertical Extension Rod 12"                        |                  |                            |       |
|     |      | 650018   | Concealed Vertical Extension Rod 24"                        |                  |                            |       |
|     |      | 650019   | Concealed Vertical Extension Rod 36"                        |                  |                            |       |
| 49  | 1    | WF603    | F-25-CWDC Top Latch Case                                    |                  |                            | *     |
| 50  | 1    | 5494     | Auxiliary Fire Latch Kit (Less Bottom Rod application only) |                  |                            |       |
| 52  | 1    | F603     | F-25-C Top Latch Case                                       |                  |                            |       |
| 54  | 1    | 4833     | Top Reinforcement Plate                                     |                  |                            | A     |
| 55  | 1    | 4834     | Top Reinforcement Plate with Access Hole                    |                  |                            | A     |
| 56  | 1    | 4832     | (F)25-CWDC Center Slide Reinforcement Plate                 |                  |                            |       |
| 61  | 1    | 650339   | (F)25-C, CWDC Top Latch Release Kit                         |                  |                            | A     |
| 62  | 1    | 610061   | (F)25-C, CWDC Top Rod Kit                                   |                  |                            |       |
| 63  | 1    | 650376   | (F)25-C, CWDC Center Slide Assembly                         |                  |                            |       |
| 64  | 1    | 610057   | (F)25-C, CWDC Bottom Rod Kit                                |                  |                            |       |
| 66  | 1    | 4835     | 25-CWDC Bottom Bolt Guide                                   |                  |                            |       |

\* Item(s) not shown.

A Specify by finish: US3, US4, US10, US26, US26D, US32, US32D, US28, 313AN

# (F)25-M mortise exit device

## Panic and fire



| No. | Qty. | Part no. | Description                       | Package contents   | Notes |
|-----|------|----------|-----------------------------------|--|-------|
| 1   | 1    | 650294   | 25 Channel Endcap Kit 1 3/4" Door | 1- Channel Endcap<br>2- #10-24 x 3/8" PPHMS<br>1- Channel Endcap Bracket<br>2- #10-24 x 1" PPHMS<br>2- #10 x 1 1/4" PPHSMS | A     |



## 25 Series

| No. | Qty. | Part no.          | Description                             | Package contents  | Notes |
|-----|------|-------------------|---|---|-------|
| 1   | 1    | 650348            | 25 Channel Endcap Kit 2 ¼" Door         | 1- Channel Endcap   | A     |
|     |      |                   |   | 2- #10-24 x ¾" PPHMS  |       |
|     |      |                   |   | 1- Channel Endcap Bracket                                   |       |
|     |      |                   |   | 2- #10-24 x 1" PPHMS  |       |
|     |      |                   |   | 2- #10 x 1 ¼" PPHSMS  |       |
| 2   | 1    | 661412            | 25 Channel 3'                           |   | A     |
|     |      | 661413            | 25 Channel 4'                           |   |       |
| 4   | 1    | 600305            | 25 Channel Screw package of 10          | #10-16 x ½" Hex Washer Head Taptite                         |       |
| 6   | 1    | 600319            | 25 Pushbar Guide Pkg                    | 2- Pushbar Guide  |       |
| 7   | 1    | 600310            | 25 Pushbar Endcap Kit                   | 2- Pushbar Endcap   | A     |
|     |      |                   |   | 4- #8-18 x ¾" FPHSMS  |       |
| 8   | 1    | 600307            | 25 Center Case Cover Screw Pkg          | 4- #8-18 x ¾" UFPHMS  | A     |
| 11  | 1    | 650227            | F-25 Channel Cover Plate 3'             |   | B     |
|     |      | 650228            | F-25 Channel Cover Plate 4'             |   |       |
| 13  | 1    | 650191            | 25 Hex Dogging Kit 3'                   | 1- Panic Channel Cover (3' or 4')<br>1- Dogging Subassembly | A     |
|     |      | 650192            | 25 Hex Dogging Kit 4'                   | 1- #8-32 x ¾" UFPHMS  |       |
| 15  | 1    | 650377            | 25-M Center Case Slide Bar Assembly LHR |   | C     |
|     |      | 650378            | 25-M Center Case Slide Bar Assembly RHR |   |       |
| 17  | 1    | 060109            | Hex Dogging Key ⅞" package of 10        |   |       |
| 18  | 1    | 600308            | 25-V/M/C Housing Screw Pkg              | 2- #8-32 x ¾" PPHMS Trilob                                  |       |
| 19  | 1    | 650261            | 25-V/M/C Housing Kit                    | 2- #8-32 x ¾" PPHMS Trilob                                  |       |
|     |      |                   |   | 1- Vertical Housing   |       |
| 23  | 1    | 650246            | (F)25-M Center Case Kit, RHR            | 1- Center Case  |       |
|     |      |                   |   | 2- #10-16 x ½" Hex Washer Head Taptite                      |       |
|     |      | 1- Mortise Finger |   |   |       |
|     |      | 650398            | (F)25-M Center Case Kit, LHR            | 1- Mortise Block  |       |
|     |      |                   |   | 2- #10-24 x ¾" UFPHMS                                       |       |
| 24  | 1    | 8500              | Mortise Lock Assembly                   | 1- Mortise Lock   |       |
|     |      |                   |   | 2- #12-24 x ½" UFPHMS                                       |       |
| 29  | 1    | 650259            | (F)25-C, M Center Case Cover Kit        | 1- Center Case Cover  | A     |
|     |      |                   |   | 4- #8-18 x ¾" UFPHMS  |       |
| 32  | 1    | 650345            | (F)25-R/M Mounting Pkg 1 ¾" Door        | 6- #10 x 1 ¼" PPHSMS  | *     |
|     |      |                   |   | 4- #10-24 x ¾" PPHMS  |       |
|     |      |                   |   | 2- #10-24 x 1" PPHMS  |       |
|     |      |                   |   | 1- Tailpiece Guide  |       |
|     |      | 650293            | (F)25-R/M Mounting Pkg 2 ¼" Door        | 6- #10 x 1 ¼" PPHSMS  | *     |
|     |      |                   |   | 4- #10-24 x 1 ¼" PPHMS                                      |       |
|     |      |                   |   | 2- #10-24 x 1 ½" PPHMS                                      |       |
|     |      |                   |   | 1- Tailpiece Guide  | *     |

\* Item(s) not shown.

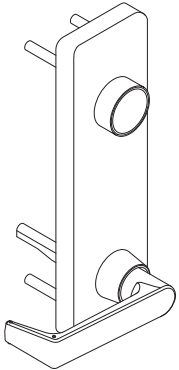
A Specify by finish: US3, US4, US10, US26, US26D, US32, US32D, US28, 313AN

B Channel Covers for CD, EA, HWEA, KOR, see **page 71**

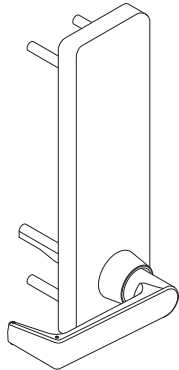
C Lift Finger is pre-installed on the Slide Bar Assembly. Screws secured with Loctite®.

25 Series trim: lever (510), vandal resistant (vr) lever (511), knob (513)

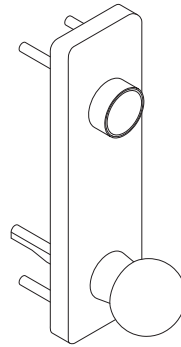
510L, 510L-BE, 513K, 513K-BE, 511L



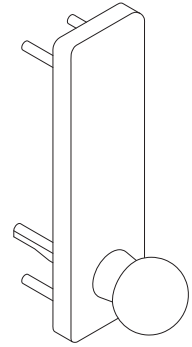
**510L  
511L**



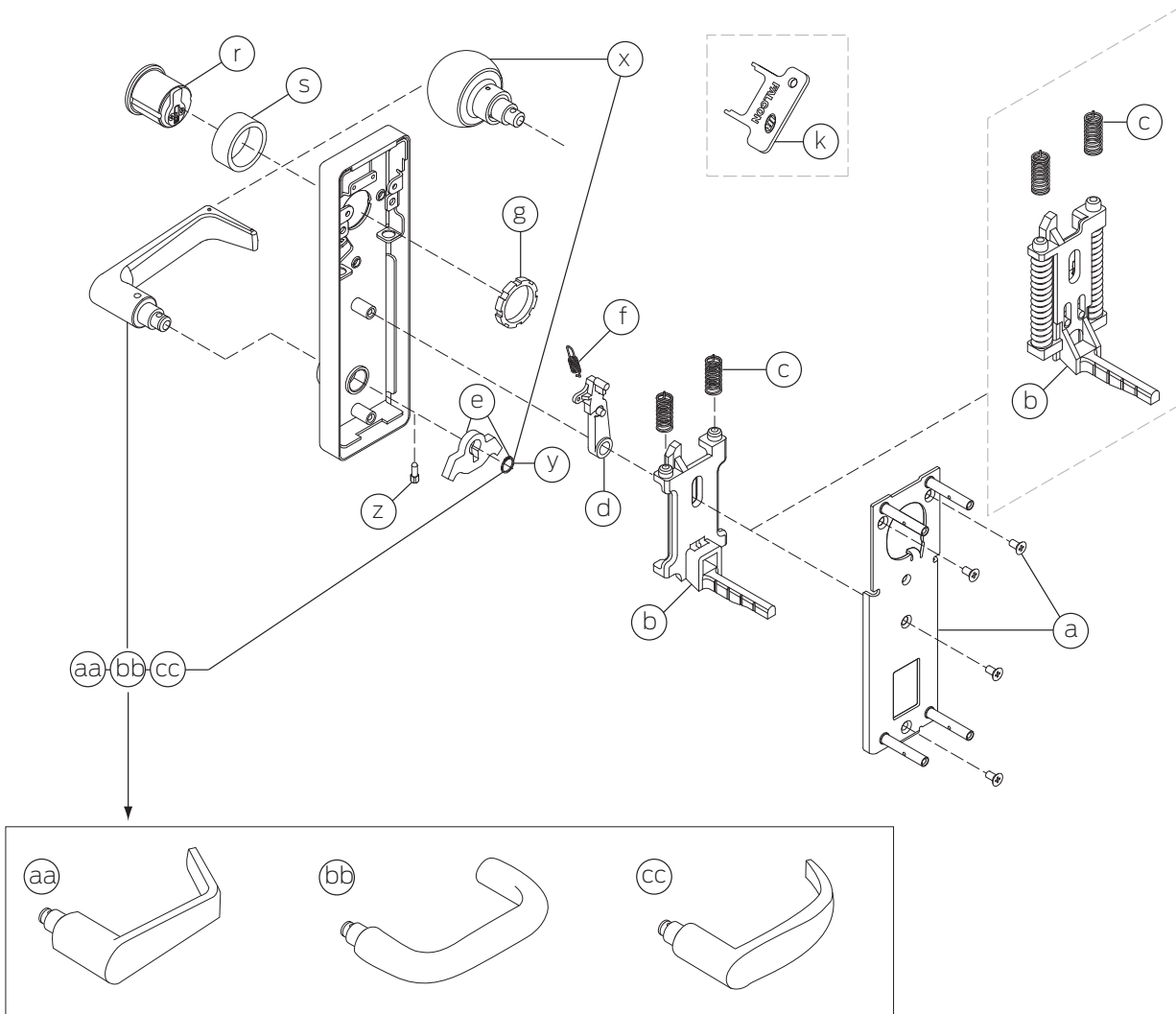
**510L-BE**



**513K**



**513K-BE**



## 25 Series

| No. | Qty. | Part no. | Description                                  | Package contents                             | Notes |
|-----|------|----------|--|--|-------|
| a   | 1    | 600272   | Backplate Assembly                           | 1– Backplate Assy<br>4– #10-24 x 3/8" UFPHMS |       |
| b   | 1    | 600273   | 510/512/513 Slider Assembly                  |  |       |
|     |      | 600282   | VR Slider Assembly                           |  |       |
| c   | 1    | 600274   | L (Lever) Springs package of 2               |  |       |
|     |      | 600284   | K (Knob)/T (Thumbpiece) Springs package of 2 |  |       |
| d   | 1    | 600275   | Locking Hook Pkg                             |  |       |
| e   | 1    | 600276   | L/K Spindle Cam Pkg                          | 1– Spindle Cam                               |       |
|     |      |          |  | 1– Spindle Cam Retaining Ring                |       |
| f   | 1    | 090041   | Hook Spring Pkg                              |  |       |
| g   | 1    | 600278   | Cylinder Lock Nut Pkg                        |  |       |
| k   | 1    | 600279   | Cylinder Nut Tool Pkg                        | 5– Cylinder Nut Tools                        |       |
| r   | 1    | 986      | 1 1/4" Mortise Cylinder                      |  | A     |
| s   | 1    | 600296   | Security Collar Pkg                          |  | A     |
| x   | 1    | 600298   | Knob Assembly                                | 1– Knob Assembly                             | A     |
|     |      |          |  | 1– Retaining Ring                            |       |
| y   | 1    | 600277   | Spindle Cam Retaining Ring Pkg               | 10– Retaining Rings                          |       |
| z   | 1    | 650267   | Shear Pin package of 10                      |  |       |
|     |      | 600283   | VR Shear Pin package of 10                   |  |       |
| aa  | 1    | 050006   | Dane Lever Kit                               | 1– Lever Assembly<br>1– Retaining Ring       | A     |
| bb  | 1    | 050003   | Sutro Lever Kit                              |  |       |
| cc  | 1    | 050017   | Quantum Lever Kit                            |  |       |

\* Item(s) not shown

A Specify by finish: SP28, SP313, US3, US4, US10, US26, US26D, US32, US32D

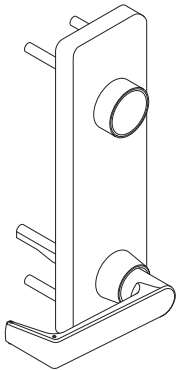
Note: Vandal Resistant (VR) Lever Trims are available on rim, vertical, mortise and concealed devices, and work with all electric lock and unlock functions.

### Specifications:

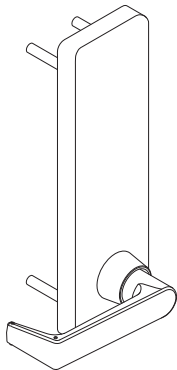
|                   |                 |
|-------------------|-----------------|
| Escutcheon:       | 2 3/4" x 9 3/4" |
| Knob Projection:  | 3 3/8"          |
| Lever Projection: | Dane 2 13/16"   |
|                   | Quantum 3 1/2"  |
|                   | Sutro 3 13/16"  |

25 Series trim: lever (510), knob (513)

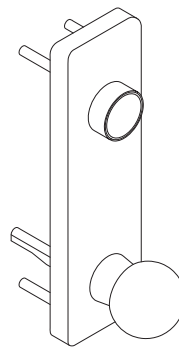
510L-NL, 510L-DT, 513K-NL, 513K-DT



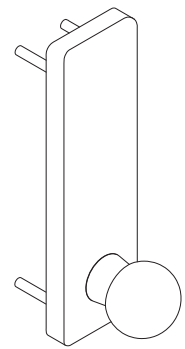
510L-NL



510L-DT

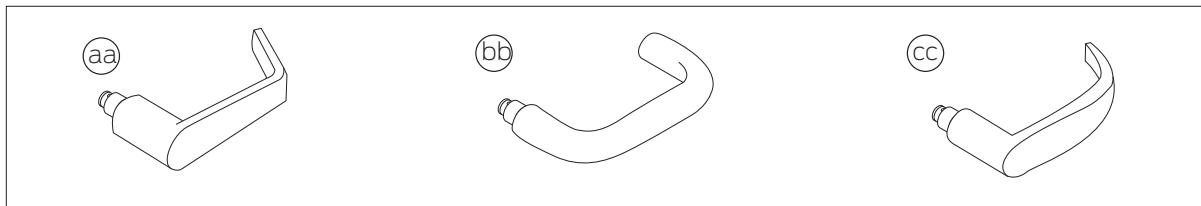
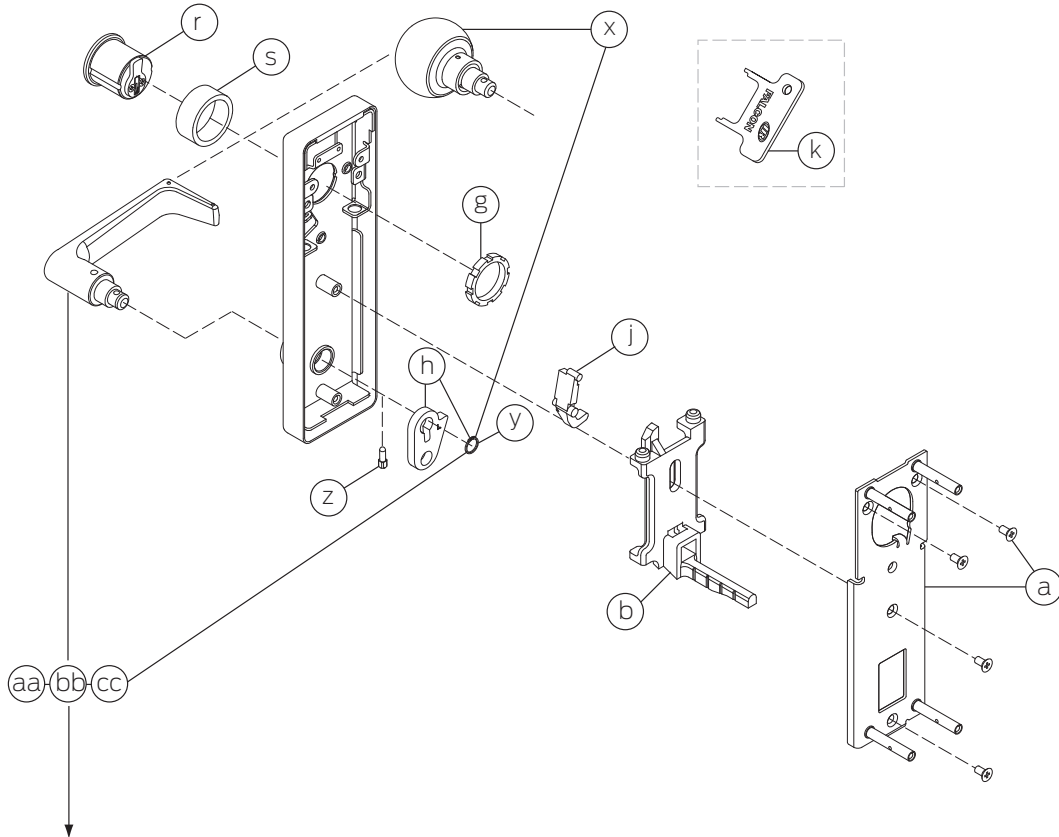


513K-NL



513K-DT

510L-NL Trim shown



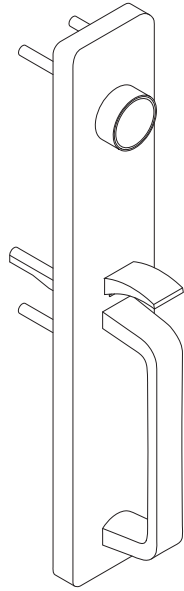
## 25 Series

| No. | Qty. | Part no. | Description                              | Package contents                                    | Notes |
|-----|------|----------|--|---|-------|
| a   | 1    | 600272   | Backplate Assembly                       | 1– Backplate Assy<br>4– #10-24 x 3/8" UFPHMS        |       |
| b   | 1    | 600273   | 510/512/513 Slider Assembly              |   |       |
| g   | 1    | 600278   | Cylinder Lock Nut Pkg                    |   |       |
| h   | 1    | 600280   | 510DT Retaining Plate Kit                | 1– 510DT Retaining Plate<br>1– Plate Retaining Ring |       |
| j   | 1    | 600281   | NL Cam Pkg                               |   |       |
| k   | 1    | 600279   | Cylinder Nut Tool Pkg                    | 5– Cylinder Nut Tools                               |       |
| r   | 1    | 986      | 1 1/4" Mortise Cylinder                  |   | A     |
| s   | 1    | 600296   | Security Collar Pkg                      |   | A     |
| x   | 1    | 600298   | Knob Assembly                            | 1– Knob Assembly<br>1– Retaining Ring               | A     |
| y   | 1    | 600277   | Spindle Cam Retaining Ring package of 10 |   |       |
| z   | 1    | 650267   | Shear Pin package of 10                  |   |       |
| aa  | 1    | 050006   | Dane Lever Assembly Kit                  | 1– Lever Assembly<br>1– Retaining Ring              | A     |
| bb  | 1    | 050003   | Sutro Lever Assembly Kit                 |   |       |
| cc  | 1    | 050017   | Quantum Lever Assembly Kit               |   |       |

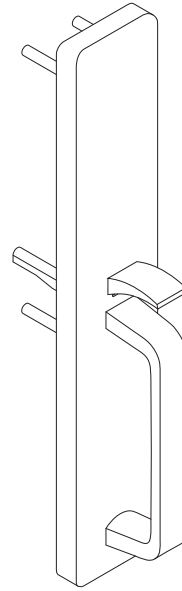
A Specify by finish: SP28, SP313, US3, US4, US10, US26, US26D, US32, US32D

# 25 Series trim: thumbpiece (512)

512TP, 512TP-BE

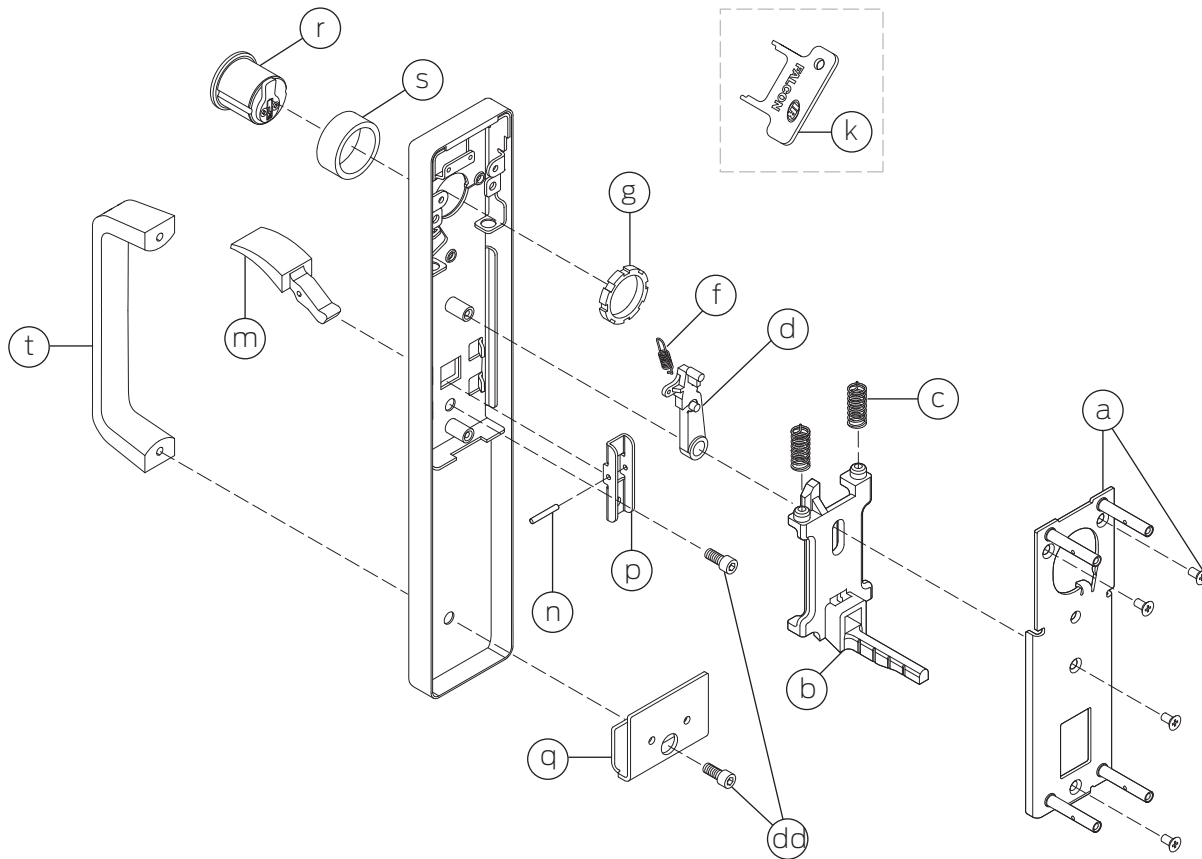


512TP



512TP-BE

512TP shown



## 25 Series

| No. | Qty. | Part no. | Description                        | Package contents                             | Notes |
|-----|------|----------|------------------------------------|--|-------|
| a   | 1    | 600272   | Backplate Assembly                 | 1- Backplate Assy<br>4- #10-24 x 3/8" UFPHMS |       |
| b   | 1    | 600273   | 510/512/513 Slider Assembly        |  |       |
| c   | 1    | 600284   | K/T Springs package of 2           |  |       |
| d   | 1    | 600275   | Locking Hook Pkg                   |  |       |
| f   | 1    | 090041   | Hook Spring Pkg                    |  |       |
| g   | 1    | 600278   | Cylinder Lock Nut Pkg              |  |       |
| k   | 1    | 600279   | Cylinder Nut Tool Pkg              | 5- Cylinder Nut Tools                        |       |
| m   | 1    | 600285   | Thumbpiece Pkg                     |  | A     |
| n   | 1    | 600286   | Thumbpiece Pivot Pin Pkg           |  |       |
| p   | 1    | 600287   | Thumbpiece Bracket Pkg             |  |       |
| q   | 1    | 600289   | Lower Pull Bracket Pkg 1 3/4" Door | 1- Lower Pull Bracket                        | A     |
|     |      |          |                                    | 1- 1/4-20 x 2 1/2" FPHMS *                   |       |
|     |      |          |                                    | 1- Finish Washer *                           |       |
|     |      | 600290   | Lower Pull Bracket Pkg 2 1/4" Door | 1- Lower Pull Bracket                        |       |
|     |      |          |                                    | 1- 1/4-20 x 2 3/4" FPHMS *                   |       |
|     |      |          |                                    | 1- Finish Washer *                           |       |
| r   | 1    | 986      | 1 1/4" Mortise Cylinder            |  | A     |
| s   | 1    | 600296   | Security Collar Pkg                |  | A     |
| t   | 1    | 600297   | 512TP Pull                         |  | A     |
| dd  | 1    | 600288   | Pull Grip Screw package of 10      | 1/4-20 x 1/2" Hex Socket Head Cap Screw      |       |

\* Item(s) not shown

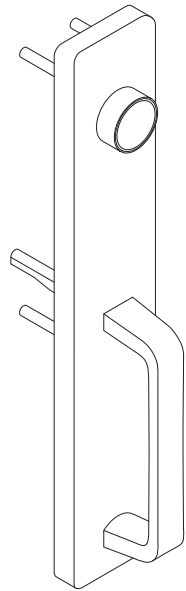
A Specify by finish: SP28, SP313, US3, US4, US10, US26, US26D, US32, US32D

### Specifications:

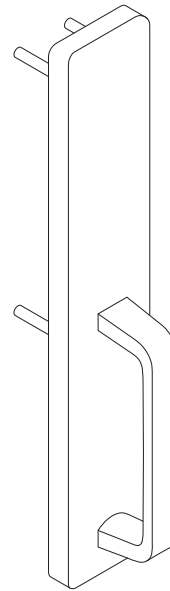
Escutcheon: 2 3/4" x 16"  
 Grip: 6 1/4" C-C  
 Projection: 2 1/16"

# 25 Series trim: thumbpiece (512)

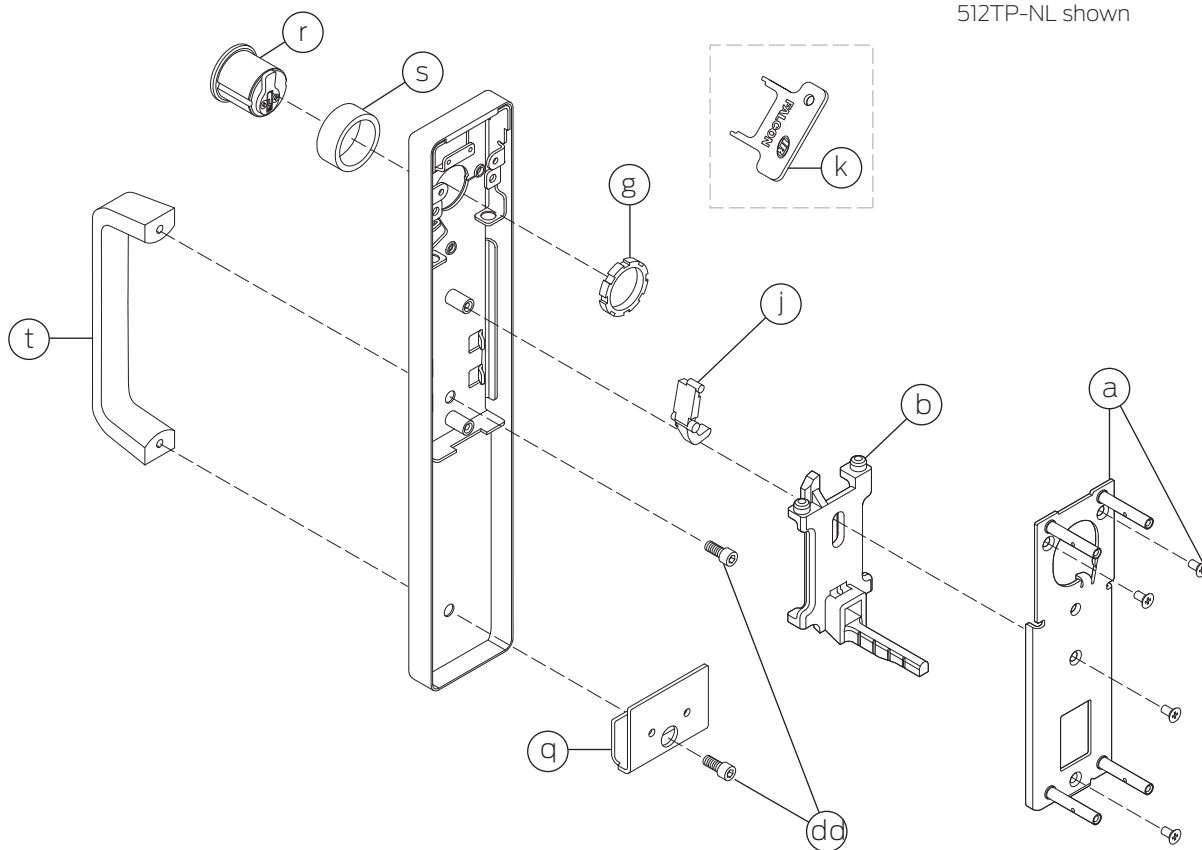
512TP-NL, 512-DT



512TP-NL



512-DT





## 25 Series

| No. | Qty. | Part no. | Description                        | Package contents                             | Notes |
|-----|------|----------|------------------------------------|--|-------|
| a   | 1    | 600272   | Backplate Assembly                 | 1– Backplate Assy<br>4– #10-24 x 3/8" UFPHMS |       |
| b   | 1    | 600273   | 510/512/513 Slider Assembly        |  |       |
| g   | 1    | 600278   | Cylinder Lock Nut Pkg              |  |       |
| j   | 1    | 600281   | NL Cam Package                     |  |       |
| k   | 1    | 600279   | Cylinder Nut Tool Pkg              | 5– Cylinder Nut Tools                        |       |
| q   | 1    | 600289   | Lower Pull Bracket Pkg 1 3/4" Door | 1– Lower Pull Bracket                        | A     |
|     |      |          |                                    | 1– 1/4-20 x 2 1/4" FPHMS *                   |       |
|     |      |          |                                    | 1– Finish Washer *                           |       |
|     |      | 600290   | Lower Pull Bracket Pkg 2 1/4" Door | 1– Lower Pull Bracket                        |       |
|     |      |          |                                    | 1– 1/4-20 x 2 3/4" FPHMS *                   |       |
|     |      |          |                                    | 1– Finish Washer *                           |       |
| r   | 1    | 986      | 1 1/4" Mortise Cylinder            |  | A     |
| s   | 1    | 600296   | Security Collar Pkg                |  | A     |
| t   | 1    | 600297   | 512TP Pull                         |  | A     |
| dd  | 1    | 600288   | Pull Grip Screw package of 10      | 1/4-20 x 1/2" Hex Socket Head Cap Screw      |       |

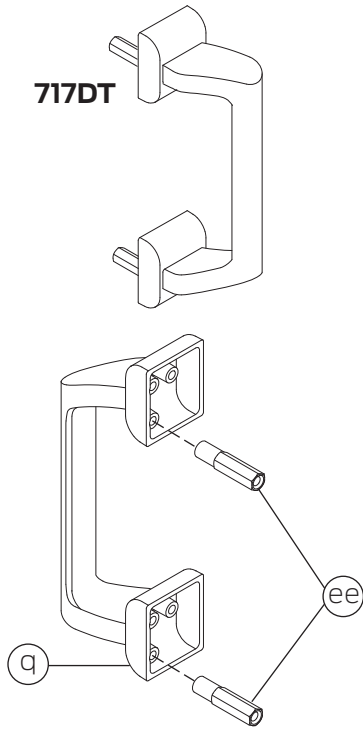
\* Item(s) not shown

A Specify by finish: SP28, SP313, US3, US4, US10, US26, US26D, US32, US32D

### Specifications:

Escutcheon: 2 3/4" x 16"  
 Grip: 6 1/4" C-C  
 Projection: 2 1/16"

25 Series trim: delta pull



| No. | Qty. | Part no. | Description                        | Package contents         | Notes |
|-----|------|----------|------------------------------------|--------------------------|-------|
| q   | 2    | 600289   | Lower Pull Bracket Pkg 1 3/4" Door | 1- Lower Pull Bracket    | A     |
|     |      |          |                                    | 2- 1/4-20 x 2 1/4" FPHMS | *     |
|     |      |          |                                    | 1- Finish Washer         | *     |
|     |      | 600290   | Lower Pull Bracket Pkg 2 1/4" Door | 1- Lower Pull Bracket    | A     |
|     |      |          |                                    | 2- 1/4-20 x 2 3/4" FPHMS | *     |
|     |      |          |                                    | 1- Finish Washer         | *     |
| ee  | 2    | 4270     | 700 Series Trim Hex Stud           |                          |       |

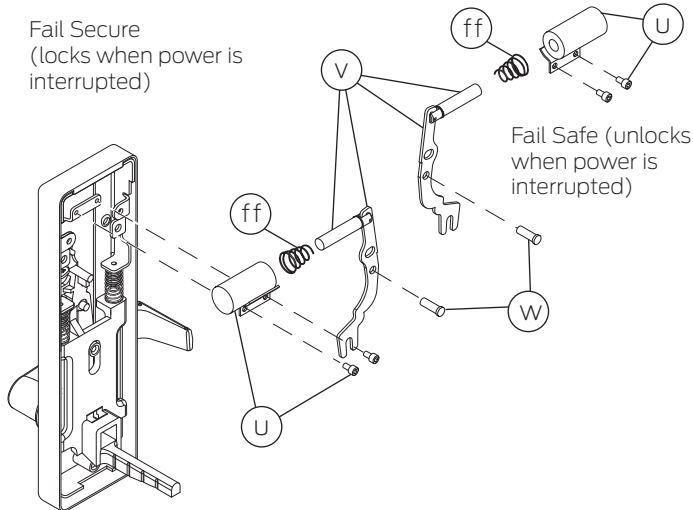
\* Item(s) not shown. Specify finish when ordering.

A Specify by finish: SP28, SP313, US3, US4, US10, US26, US26D, US32, US32D

**Specifications:**

Grip: 6 1/4"  
Projection: 2"

25 Series trim: FSA/FSE, electric lock/unlock



| No. | Qty. | Part no. | Description                       | Package contents                          | Notes |
|-----|------|----------|-----------------------------------|---|-------|
| u   | 1    | 600293   | FSA/FSE Trim Solenoid Kit         | 1- FSA/FSE Trim Solenoid                  |       |
|     |      |          |                                   | 2- #6-32 x 1/4" Socket Hex Head Cap Screw |       |
| v   | 1    | 600294   | FSA/FSE Trim Solenoid Plunger Pkg | 1- E-Trim Link                            |       |
|     |      |          |                                   | 1- E-Trim Plunger                         |       |
|     |      |          |                                   | 1- Spirol Pin                             | *     |
| w   | 1    | 600295   | FSA/FSE Pivot Pin                 |   |       |
| ff  | 1    | 650278   | FSA/FSE Trim Solenoid Spring      |   |       |

\* Item(s) not shown

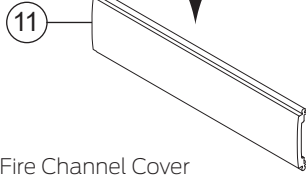
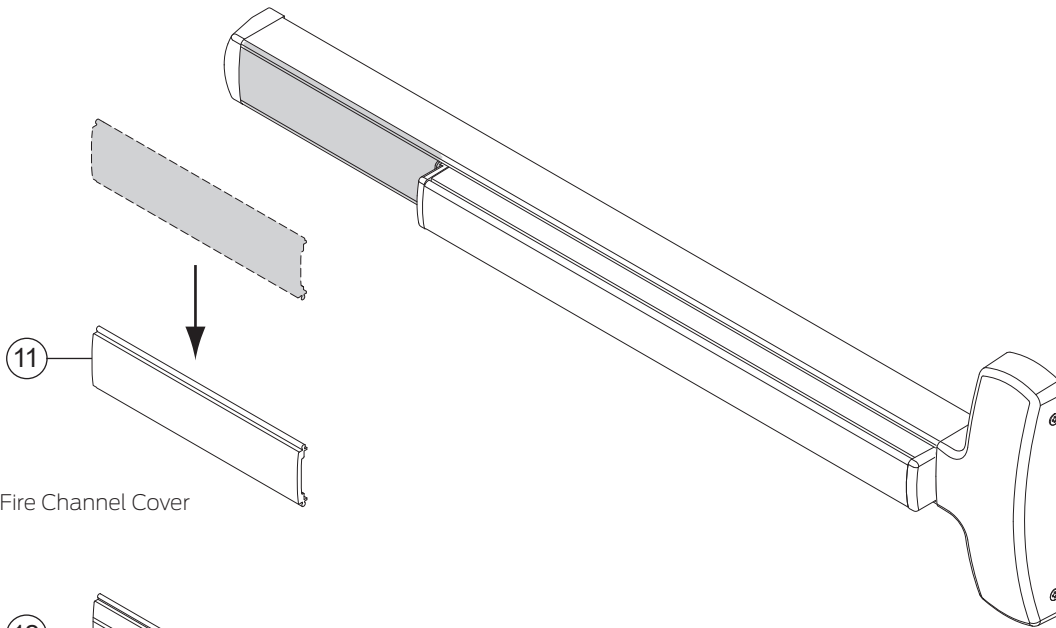
**Specifications:**

Solenoid rated for continuous duty at 24V DC 0.34 Amps.  
Power transfer hinge 2-wire minimum rated 1/2 Amp.

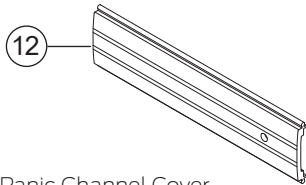
**Wire Gauge Requirement:**

0-500 foot wire run — 18 AWG  
501-700 foot wire run — 16 AWG

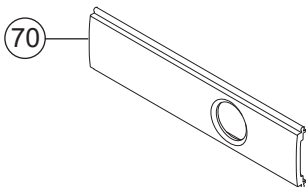
## 24/25 Series channel cover plate options



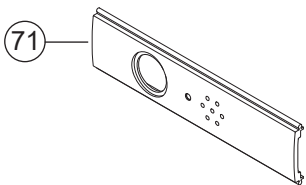
Fire Channel Cover



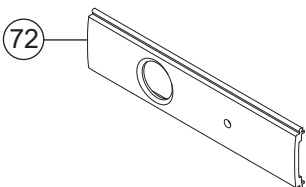
Panic Channel Cover



Cylinder Dogging Channel Cover



Exit Alarm Channel Cover



Key Override Channel Cover

| No. | Qty. | Part no. | Description                            | Notes |
|-----|------|----------|--|-------|
| 11  | 1    | 650227   | F-25 Channel Cover Plate 3'            | A     |
|     | 1    | 650228   | F-25 Channel Cover Plate 4'            |       |
|     | 1    | 650121   | F-24 Channel Cover Plate 3'            |       |
|     | 1    | 650122   | F-24 Channel Cover Plate 4'            |       |
| 12* | 1    | 650191   | 25 Series Panic Channel Cover Plate 3' |       |
|     | 1    | 650192   | 25 Series Panic Channel Cover Plate 4' |       |
|     | 1    | 650187   | 24 Series Panic Channel Cover Plate 3' |       |
|     | 1    | 650188   | 24 Series Panic Channel Cover Plate 4' |       |
| 70  | 1    | 650119   | 25 Series CD Channel Cover Plate 3'    |       |
|     | 1    | 650120   | 25 Series CD Channel Cover Plate 4'    |       |
|     | 1    | 650117   | 24 Series CD Channel Cover Plate 3'    |       |
|     | 1    | 650116   | 24 Series CD Channel Cover Plate 4'    |       |
| 71  | 1    | 650135   | 25 Series EA Channel Cover Plate 3'    |       |
|     | 1    | 650136   | 25 Series EA Channel Cover Plate 4'    |       |
|     | 1    | 650131   | 24 Series EA Channel Cover Plate 3'    |       |
|     | 1    | 650132   | 24 Series EA Channel Cover Plate 4'    |       |
| 72  | 1    | 650143   | 25 Series KOR Channel Cover Plate 3'   |       |
|     | 1    | 650144   | 25 Series KOR Channel Cover Plate 4'   |       |
|     | 1    | 650139   | 24 Series KOR Channel Cover Plate 3'   |       |
|     | 1    | 650140   | 24 Series KOR Channel Cover Plate 4'   |       |

A Specify by finish: 313AN, US3, US4, US10, US26, US26D, US32, US32D, US28

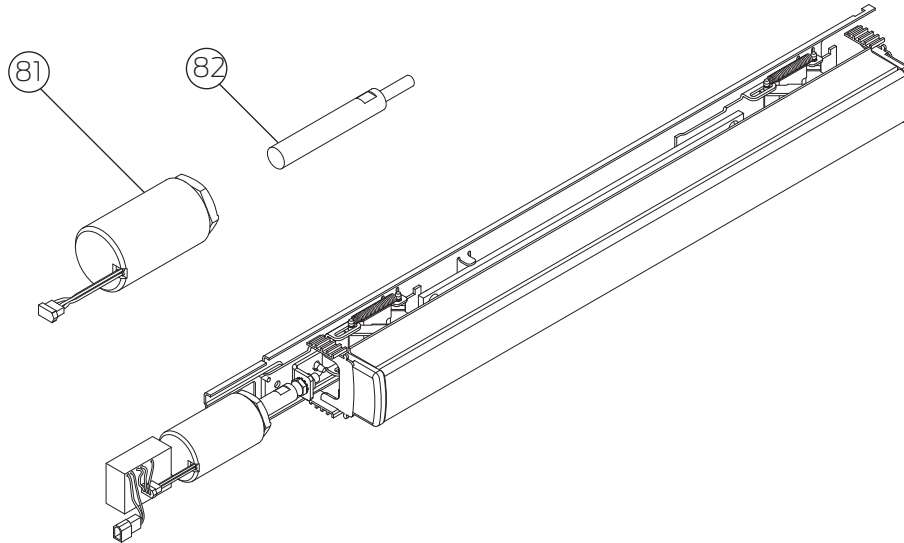
\* 24 and 25 Panic Channel Cover Plates are included in the Hex Dogging Kit (part numbers shown above are Hex Dogging Kit part numbers).

## 24/25 Series electrical options

### Electric latch retraction (EL), exit alarm (EA), hard wired exit alarm (HWEA)

#### 80 Electric latch retraction

Available on all panic and fire devices. EL can be used with FSA/FSE, DM, LM, AE, and LK features. EL cannot be used with ED, EA, HWEA or KOR.



#### 83 Exit alarm

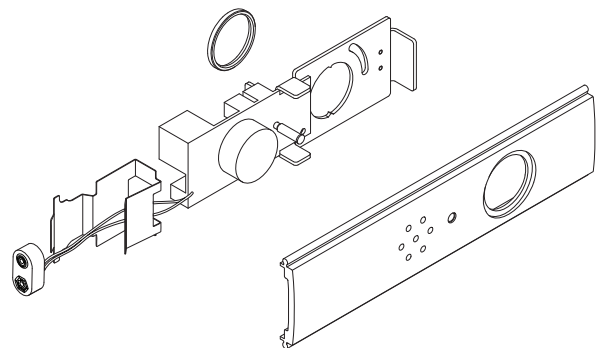
Available on all panic and fire devices. EA can be used with FSA/FSE, DM, LM, and AE features.

➔ Note: This kit is for new design Exit Alarm available as of June 2012. For Exit Alarm assemblies built prior to June 2012 a replacement Hard Wired Exit Alarm (HWEA) circuit board is available, part number 650335.

| No. | Qty. | Part no. | Description                                 | Notes |
|-----|------|----------|---|-------|
| 80  | 1    | 650147   | 24/25 Electric Latch Retraction (EL) Kit 3' | B     |
|     |      | 650148   | 24/25 Electric Latch Retraction (EL) Kit 4' |       |
| 81  | 1    | 600320   | EL Solenoid Body Pkg                        |       |
| 82  | 1    | 600321   | EL Solenoid Plunger Pkg                     |       |
| 83  | 1    | 650167   | 25 Series Exit Alarm (EA) Kit 3'            | A     |
|     |      | 650168   | 25 Series Exit Alarm (EA) Kit 4'            |       |
|     |      | 650163   | 24 Series Exit Alarm (EA) Kit 3'            |       |
|     |      | 650164   | 24 Series Exit Alarm (EA) Kit 4'            |       |

A Specify by finish: US3, US4, US10, 313AN, US26, US26D, US28, US32, US32D

B Specify by finish: SP28, US3, US4, US10, 313AN, US26, US26D, US32D

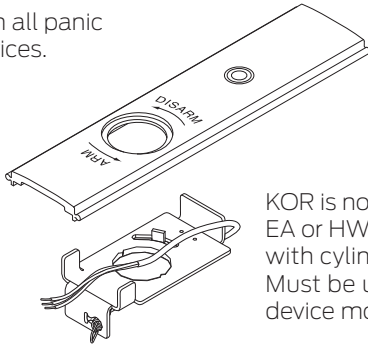


## 25 Series

### Key override (KOR), latch monitoring (LM) switch, device monitoring (DM) switch, request to exit (RX) switch

#### 85 Key override retrofit

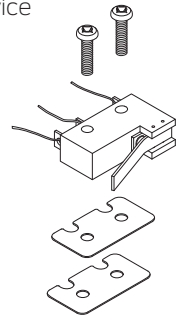
Available on all panic and fire devices.



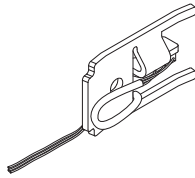
KOR is not available with EA or HWEA feature, or with cylinder dogging. Must be used with a device monitoring switch.

#### 86 Latch monitoring, device monitoring

Not available with 24 Fire Rim devices. Device Monitoring cannot be used with Latch Monitoring.



#### 87 RX switch kit

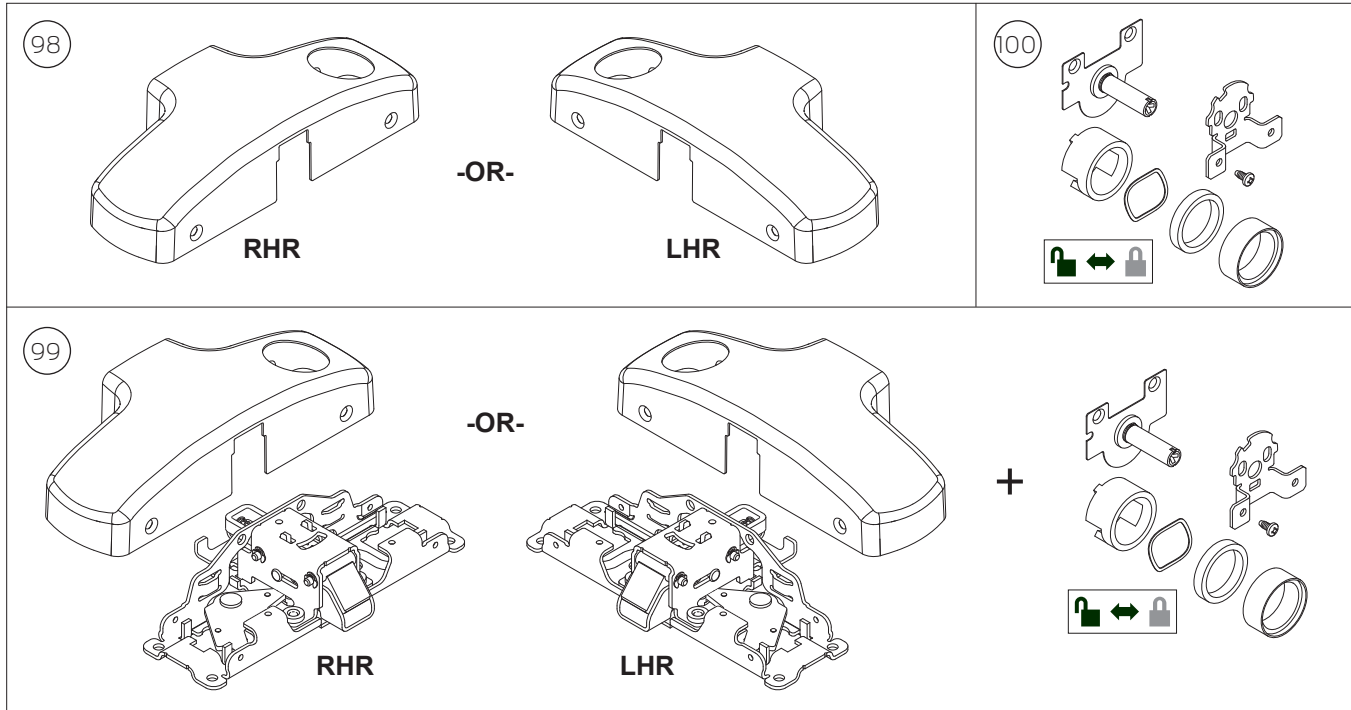


| No. | Qty. | Part no.   | Description  | Package contents       | Notes |
|-----|------|------------|--|------------------------|-------|
| 85  | 1    | 25-KOR-K-3 | 25 Series Key Override (KOR) w/Standard Dogging Kit 3' | 1- Channel Cover KOR   | A     |
|     |      | 25-KOR-K-4 | 25 Series Key Override (KOR) w/Standard Dogging Kit 4' | 1- KOR Switch Assembly |       |
|     |      | 24-KOR-K-3 | 24 Series Key Override (KOR) w/Standard Dogging Kit 3' |                        |       |
|     |      | 24-KOR-K-4 | 24 Series Key Override (KOR) w/Standard Dogging Kit 4' |                        |       |
| 86  | 1    | 650210     | Latch Monitoring (LM) Switch Service Kit               | 1- LM Switch Assembly  |       |
|     |      |            |  | 2- #2-56 x 3/8" PPHMS  |       |
|     |      |            |  | 2- Switch Insulator    |       |
| 86  | 1    | 650264     | Device Monitoring (DM) Switch Service Kit              | 1- DM Switch Assembly  |       |
|     |      |            |  | 2- #2-56 x 3/8" PPHMS  |       |
|     |      |            |  | 2- Switch Insulator    |       |
| 87  | 1    | 650359     | 24/25 Series RX Switch Kit                             | RX Switch Assembly     |       |

A Specify by finish: US3, US4, US10, 313AN, US26, US26D, US28, US32, US32D

(F)25-R-L-2 double cylinder option

Rim only, used with 510L trim



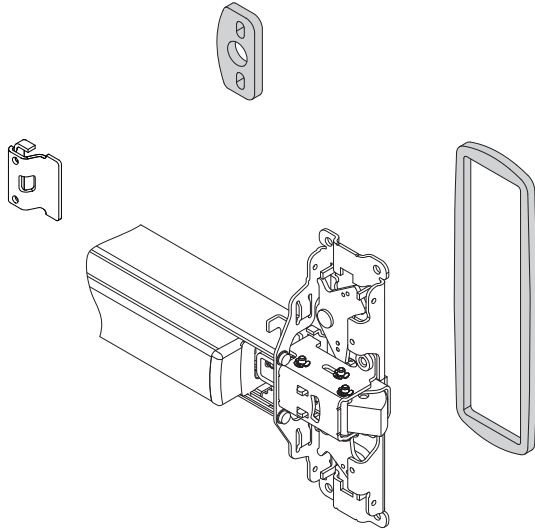
| No. | Qty. | Part no. | Description                      | Package contents  | Notes |
|-----|------|----------|----------------------------------|---|-------|
| 98  | 1    | 47720568 | 25-R-2 Cover Kit, RHR            | 1- 25-R-2 Center Case Cover (handed)  | A     |
|     |      | 47720553 | 25-R-2 Cover Kit, LHR            |   |       |
| 99  | 1    | 47720570 | 25-R-2 Conversion Kit, Fire RHR  | 1- Cylinder Mounting Bracket  | A     |
|     |      | 47720572 | 25-R-2 Conversion Kit, Panic RHR | 1- screw  |       |
|     |      | 47720579 | 25-R-2 Conversion Kit, Fire LHR  | 1- Cylinder Collar  |       |
|     |      | 47720580 | 25-R-2 Conversion Kit, Panic LHR | 1- 25-R-2 Center Case Cover (handed)<br>1- Center Case Assembly (handed)<br>1- Trim Backpack Assembly<br>1- Security Collar<br>1- Blocking Ring<br>1- Wave Washer<br>1- Directional Label |       |
| 100 | 1    | 47611102 | 25-R-2 Service Kit Parts         | 1- Cylinder Mounting Bracket<br>1- screw<br>1- Cylinder Collar<br>1- Trim Backpack Assembly<br>1- Security Collar<br>1- Blocking Ring<br>1- Wave Washer<br>1- Directional Label           | A     |

A Specify by finish: SP28, SP313, US3, US4, US10, US15, US19, US26, US26D, US32, US32D

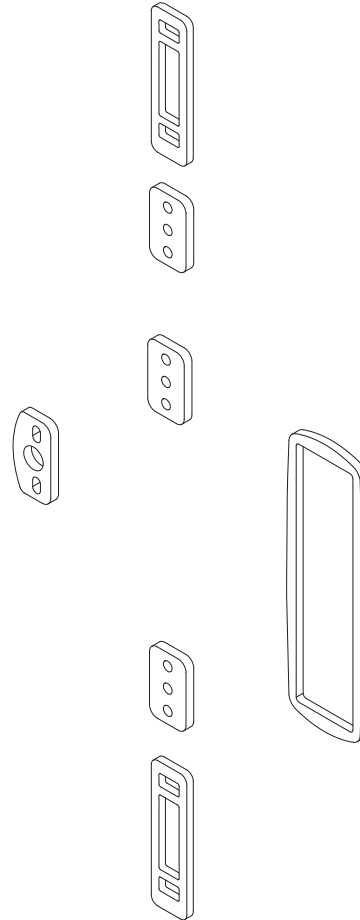
## 24/25 Series miscellaneous kits and parts

### Glass bead kit (GBK), shim kits

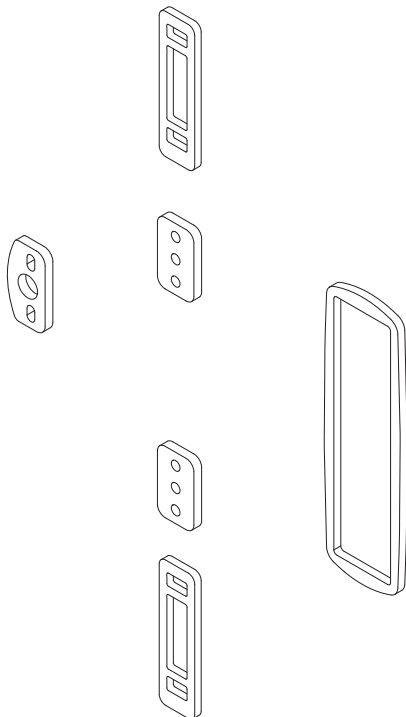
90 Rim/mortise shim kit



92 Vertical device shim kit, larger than 8' door



91 Vertical device shim kit, up to 8' door



| No. | Qty. | Part no. | Description   | Notes |
|-----|------|----------|---|-------|
| 90  | 1    | 650109   | 24 Rim Shim Kit 1/2"  |       |
|     |      | 650107   | 25 Rim or Mortise Shim Kit 1/4"                               | *     |
| 91  | 1    | 650110   | 24 Surface Vertical Device Shim Kit 1/4", > 7' up to 8' Door  |       |
|     |      | 650108   | 25 Surface Vertical Device Shim Kit 1/4", > 7' up to 8' Door  | *     |
| 92  | 1    | 650208   | 24 Surface Vertical Device Shim Kit 1/4", > 8' up to 10' Door |       |
|     |      | 650266   | 25 Surface Vertical Device Shim Kit 1/4", > 8' up to 10' Door | *     |
| *   | 1    | 650106   | Retrofit Shim Kit, HH-25-R, HH-F25-R (required)               | *     |

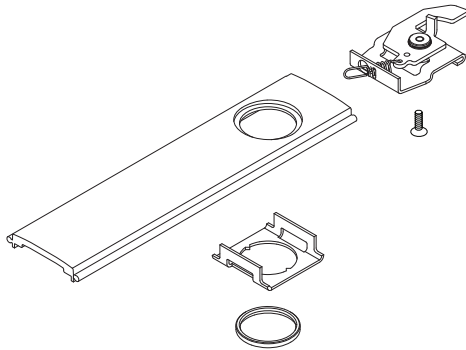
All Shim kits furnished in finish US19

\* Item(s) not shown

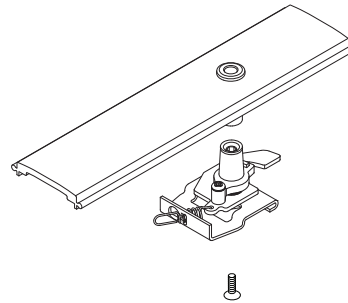
25 Series

Cylinder dogging (CD) kit, hex dogging (HD) kit and through bolts

94 Cylinder dogging kit

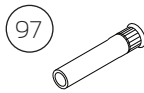
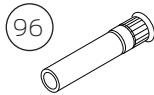


95 Hex dogging kit



Available on all panic devices. CD kit requires 1 1/8" Mortise Cylinder (part number 985).

**Through bolts**



| No. | Qty. | Part no. | Description                            | Package contents  | Notes |
|-----|------|----------|--|---|-------|
| 94  | 1    | 650159   | 25 Series Cylinder Dogging (CD) Kit 3' | 1- CD Channel Cover<br>1- CD Dogging Subassembly<br>1- #8-32 x 3/8" UFPHMS<br>1- Cylinder Retaining Bracket<br>1- Cylinder Collar | A     |
|     |      | 650160   | 25 Series Cylinder Dogging (CD) Kit 4' |   |       |
|     |      | 650155   | 24 Series Cylinder Dogging (CD) Kit 3' |   |       |
|     |      | 650156   | 24 Series Cylinder Dogging (CD) Kit 4' |   |       |
| 95  | 1    | 650191   | 25 Series Hex Dogging (HD) Kit 3'      | 1- Panic Channel Cover<br>1- Dogging Subassembly<br>1- #8-32 x 3/8" UFPHMS  | A     |
|     |      | 650192   | 25 Series Hex Dogging (HD) Kit 4'      |   |       |
|     |      | 650187   | 24 Series Hex Dogging (HD) Kit 3'      |   |       |
|     |      | 650188   | 24 Series Hex Dogging (HD) Kit 4'      |   |       |
| 96  | 2    | 325      | 1/4-20 Through bolt                    |   | * B   |
| 97  | 2    | 425      | #10-24 Through bolt                    |   | * B   |

\* Sold separately

A Specify by finish: US3, US4, US10, 313AN, US26, US32, US26D, US32D, US28

B Specify by finish: US3, US4, US10, SP313, US32, US32D



**25 Series**

Refill parts/packages

| Part no. | Description  | Qty | Where used |     |     |     |     |     |     |       |     |     |     |     |     |     |     |
|----------|--|-----|------------|-----|-----|-----|-----|-----|-----|-------|-----|-----|-----|-----|-----|-----|-----|
|          |  |     | Device     |     |     |     |     |     |     | Trims |     |     |     |     |     |     |     |
|          |  |     | 24R        | 24V | 24C | 25R | 25M | 25V | 25C | 510   | 511 | 512 | 513 | 711 | 712 | 718 | 719 |
| 650311   | Rod Guide Pkg US32D  | 6   |            | .   |     |     |     |     | .   |       |     |     |     |     |     |     |     |
|          | Rod Guide Pkg SP28   | 2   |            | .   |     |     |     |     | .   |       |     |     |     |     |     |     |     |
|          | Rod Guide Pkg SP313  | 2   |            | .   |     |     |     |     | .   |       |     |     |     |     |     |     |     |
| 060109   | Dogging Key 7/32", package of 10   | 1   | .          | .   | .   | .   | .   | .   | .   |       |     |     |     |     |     |     |     |
| 600314   | Cylinder Nut   | 10  |            |     |     |     |     |     |     |       |     |     |     | .   | .   | .   | .   |
| 4208     | CD/EA/KOR Cylinder Retainer Bracket  | 30  | .          | .   | .   | .   | .   | .   | .   |       |     |     |     |     |     |     |     |
| 060126   | 512/718 Lever Washer, package of 10  | 1   |            |     |     |     |     |     |     |       |     |     |     |     |     | .   |     |
| 4275     | 712 Spring Plate   | 10  |            |     |     |     |     |     |     |       |     |     |     |     |     | .   |     |
| 4326     | Lever Spring Clip  | 10  |            |     |     |     |     |     |     |       |     |     |     |     |     | .   |     |
| 4841     | Lever Return Spring  | 10  |            |     |     |     |     |     |     |       |     |     |     |     | .   |     |     |
| 060115   | FSA/FSE Trim Screw 1 3/4" US3, US4, US10, pkg of 10                        | 5   |            |     |     |     |     |     |     |       |     | .   |     |     |     |     |     |
|          | FSA/FSE Trim Screw 1 3/4" SP313, pkg of 10                                 | 5   |            |     |     |     |     |     |     |       |     | .   |     |     |     |     |     |
|          | FSA/FSE Trim Screw 1 3/4" US26, US32, US26D, US32D, SP28, pkg of 10        | 5   |            |     |     |     |     |     |     |       |     | .   |     |     |     |     |     |
| 640001   | 24 Plastic Mounting Template   | 2   | .          | .   | .   |     |     |     |     |       |     |     |     |     |     |     |     |
| 640002   | 25 Plastic Mounting Template   | 2   |            |     |     | .   | .   | .   | .   |       |     |     |     |     |     |     |     |
| 060111   | Cotter Key 1/8" x 1", package of 10  | 5   |            | .   | .   |     |     |     | .   | .     |     |     |     |     |     |     |     |
| 600279   | Cylinder Nut Tool, package of 5  | 2   |            |     |     |     |     |     |     | .     | .   | .   | .   |     |     |     |     |
| 060125   | FSA/FSE Pivot Pin, package of 10   | 2   | .          | .   | .   | .   | .   | .   | .   |       |     |     |     |     |     |     |     |
| 600319   | 24/25 Pushbar Guide, package of 2  | 10  | .          | .   | .   | .   | .   | .   | .   |       |     |     |     |     |     |     |     |
| 600278   | 500 Series Cylinder Locknut  | 10  |            |     |     |     |     |     |     | .     | .   | .   | .   |     |     |     |     |
| 2729F    | Through bolt with machine screw, #10-24 x 3/4" FPHMS                       | 10  |            |     |     | .   | .   | .   | .   |       |     |     |     |     |     |     |     |
| 2729P    | Through bolt with machine screw, #10-24 x 3/4" PPHMS                       | 50  |            |     |     | .   | .   | .   | .   |       |     |     |     |     |     |     |     |
| 600307   | 24/25 Center Case Cover Screw US3, package of 4                            | 12  | .          | .   | .   | .   | .   | .   | .   |       |     |     |     |     |     |     |     |
|          | 24/25 Center Case Cover Screw US4, package of 4                            | 12  | .          | .   | .   | .   | .   | .   | .   |       |     |     |     |     |     |     |     |
|          | 24/25 Center Case Cover Screw US10, package of 4                           | 12  | .          | .   | .   | .   | .   | .   | .   |       |     |     |     |     |     |     |     |
|          | 24/25 Center Case Cover Screw SP313, package of 4                          | 12  | .          | .   | .   | .   | .   | .   | .   |       |     |     |     |     |     |     |     |
|          | 24/25 Center Case Cover Screw US26, US32, US26D, US32D, SP28, package of 4 | 12  | .          | .   | .   | .   | .   | .   | .   |       |     |     |     |     |     |     |     |
| 600277   | 510/511/513 Spindle Cam Retaining Ring, pkg of 10                          | 2   |            |     |     |     |     |     |     | .     | .   | .   |     |     |     |     |     |
| 970321   | 299 Strike Shim  | 20  | .          | .   | .   | .   | .   | .   | .   |       |     |     |     |     |     |     |     |
| 325      | Through bolt 1/4 -20 thread US32D, package of 2                            | 10  | .          | .   | .   |     |     |     | .   |       |     |     |     |     |     |     |     |
| 425      | Through bolt #10-24 thread US32D package of 2                              | 10  | .          | .   | .   | .   | .   | .   | .   |       |     |     |     |     |     |     |     |

24/25 Series Maintenance Kit, Part Number 650277-00, includes all parts shown above, with additional parts not shown.

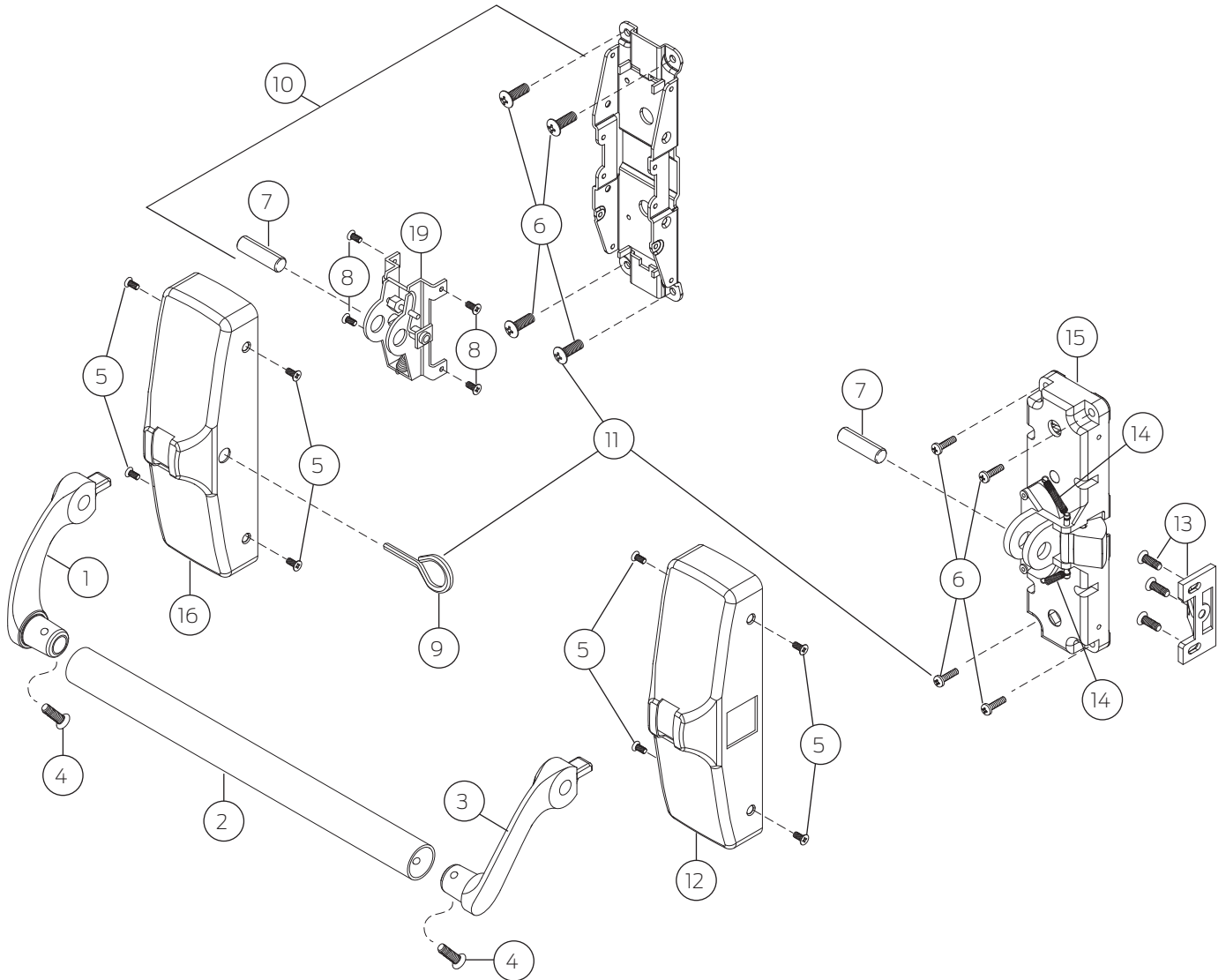
# XX Series

- 79 XX-rim exit device
- 80 F-XX-rim exit device
- 81 (F)XX-rim center case
- 82 XX-V surface vertical rod exit device
- 83 F-XX-V surface vertical rod exit device
- 84 (F)XX-V surface vertical rods and latches
- 85 XX-C concealed vertical rod exit device
- 86 F-XX-C concealed vertical rod exit device
- 87 (F)XX-C concealed vertical rods and latches
- 88 (F)XX-C concealed vertical top latches and plates
- 89 XX-M mortise exit device
- 90 F-XX-M mortise exit device
- 91 (F)XX-M mortise lock

**XX Series**

**XX-rim exit device**

**Panic**



| No. | Qty. | Part No. | Description   | Notes |
|-----|------|----------|---|-------|
| 1   | 1    | 3747     | XX Series Lever Arm LH                              | A     |
| 2   | 1    | 3767     | XX Series Crossbar                                  | A     |
| 3   | 1    | 3746     | XX Series Lever Arm RH                              | A     |
| 4   | 2    | 660025   | 1/4-20 x 1/2" Crossbar Retaining Screw              |       |
| 5   | 1    | 650336   | Center Case Cover Mtg Pkg (US32D)                   |       |
| 6   | 1    | 650113   | XX-R Service Mtg Pkg                                |       |
| 7   | 2    | 3749     | XX Series Lever Arm Axle                            |       |
| 8   | 1    | 060121   | Latch Cover Screw package of 10 (US4, US10B, US32D) | B     |
| 9   | 1    | 060109   | Hex Dogging Key 7/32" package of 10                 |       |

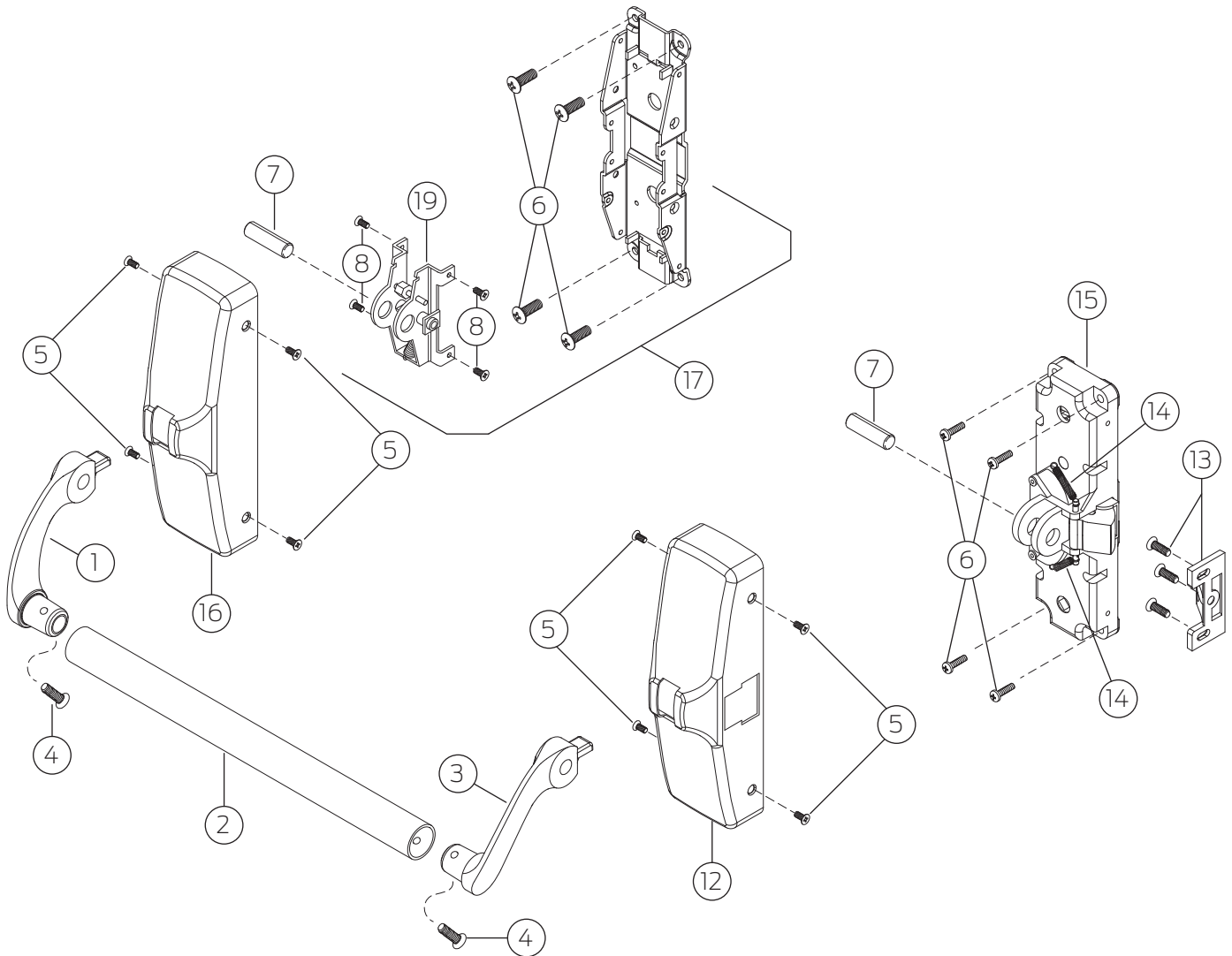
| No. | Qty. | Part No. | Description  | Notes |
|-----|------|----------|--|-------|
| 10  | 1    | 584      | XX Series End Case Assembly  |       |
| 11  | 1    | 600127   | XX-R Mounting Package (includes Service Mtg Pkg (650113) and Hex Dogging Key (060109)) |       |
| 12  | 1    | 3740     | XX-R Series Center Case Cover  | A     |
| 13  | 1    | F570     | F570 Strike (US19)   |       |
| 14  | 2    | 3770     | XX-R Main Cam Spring   |       |
| 15  | 1    | 585      | XX-R-EO/TP Center Case Assembly - Panic  |       |
| 16  | 1    | 3741     | XX Series End Case Cover   | A     |
| 19  | 1    | 610044   | XX Axle Support Housing Assembly   |       |

A Specify by finish: SP313, US3, US4, US10, US10B, US26, US26D, US32, US32D

B Specify by finish shown

# F-XX-rim exit device

## Fire



| No. | Qty. | Part No. | Description  | Notes |
|-----|------|----------|--|-------|
| 1   | 1    | 3747     | XX Series Lever Arm LH   | A     |
| 2   | 1    | 3767     | XX Series Crossbar   | A     |
| 3   | 1    | 3746     | XX Series Lever Arm RH   | A     |
| 4   | 2    | 660025   | ¼-20 x ½" Crossbar Retaining Screw                                     |       |
| 5   | 1    | 600140   | Center Case Cover Mtg Pkg (US32D)                                      |       |
| 6   | 1    | 650133   | F-XX-R Service Mtg Pkg   |       |
| 7   | 2    | 3749     | XX Series Lever Arm Axle   |       |
| 8   | 1    | 060121   | Latch Cover Screw package of 10 (specify by finish: US4, US10B, US32D) |       |

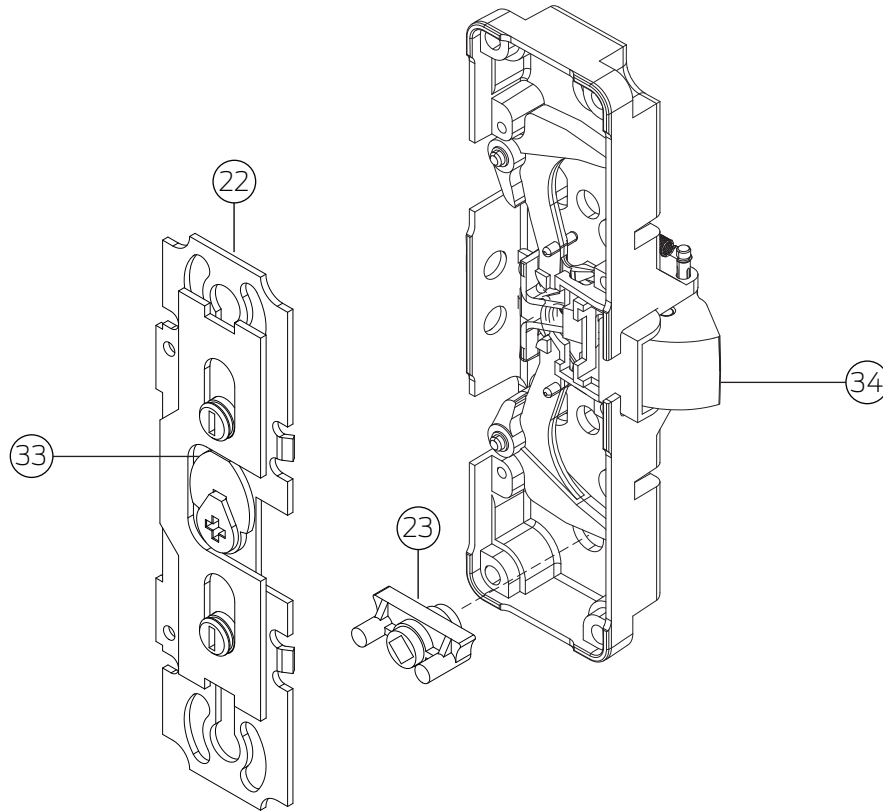
| No. | Qty. | Part No. | Description                            | Notes |
|-----|------|----------|--|-------|
| 9   | 1    | 060109   | Hex Dogging Key 7/32" package of 10    |       |
| 12  | 1    | 3740     | XX-R Center Case Cover                 | A     |
| 13  | 1    | F570     | F570 Strike (US19)                     |       |
| 14  | 2    | 3770     | XX-R Main Cam Spring                   |       |
| 15  | 1    | 685      | XX R-EO/TP Center Case Assembly - Fire |       |
| 16  | 1    | 3741     | XX Series End Case Cover               | A     |
| 17  | 1    | 684      | XX End Case Assembly - Fire            |       |
| 19  | 1    | 610044   | XX Axle Support Housing Assembly       |       |

A Specify by finish: SP313, US3, US4, US10, US26, US26D, US32, US32D

**XX Series**

(F)XX-rim center case

**Panic and fire**



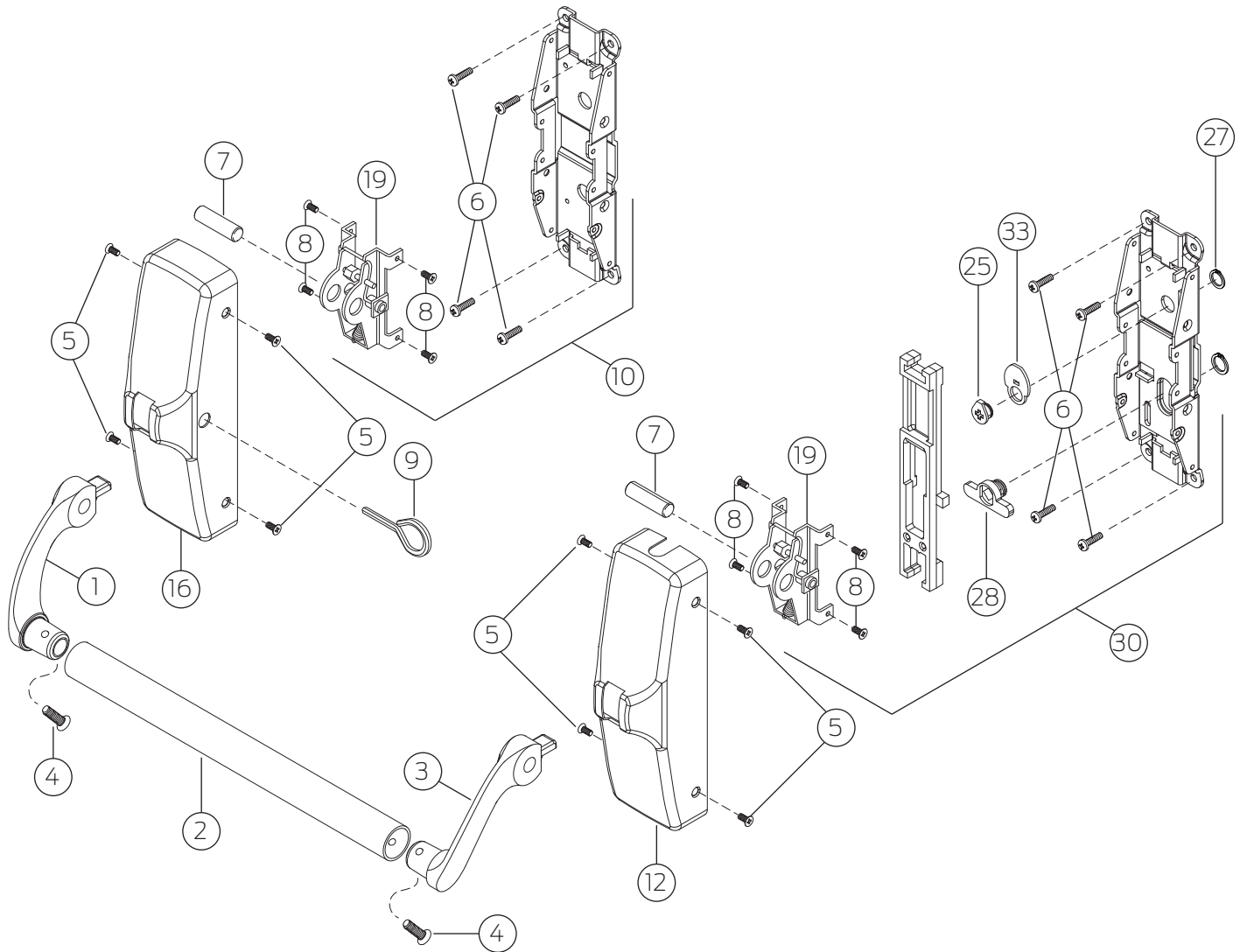
| No. | Qty. | Part No. | Description     | Notes |
|-----|------|----------|-----------------|-------|
| 22  | 1    | 610070   | XX-R Back Plate |       |
| 23  | 1    | 3755     | XX-R Knob Cam   | A     |

| No. | Qty. | Part No. | Description                 | Notes |
|-----|------|----------|-----------------------------|-------|
| 33  | 1    | 3762     | Locking Cam                 |       |
| 34  | 1    | 661180   | (F) XX-R Latchbolt Assembly |       |

A Used in K/L functions only.

# XX-V surface vertical rod exit device

## Panic



| No. | Qty. | Part No. | Description  | Notes |
|-----|------|----------|--|-------|
| 1   | 1    | 3747     | XX Lever Arm Left Hand   | A     |
| 2   | 1    | 3767     | XX Crossbar  | A     |
| 3   | 1    | 3746     | XX Lever Arm Right Hand  | A     |
| 4   | 2    | 660025   | ¼-20 x ½" Crossbar Retaining Screw                                     |       |
| 5   | 1    | 600140   | Center Case Cover Mounting Package (US32D)                             |       |
| 6   | 1    | 650332   | XX-V Mounting Package  |       |
| 7   | 2    | 3749     | XX Series Axle   |       |
| 8   | 1    | 060121   | Latch Cover Screw package of 10 (specify by finish: US4, US10B, US32D) |       |
| 9   | 1    | 060109   | 7/32" Hex Dogging Key package of 10                                    |       |
| 10  | 1    | 584      | XX End Case Assembly   |       |

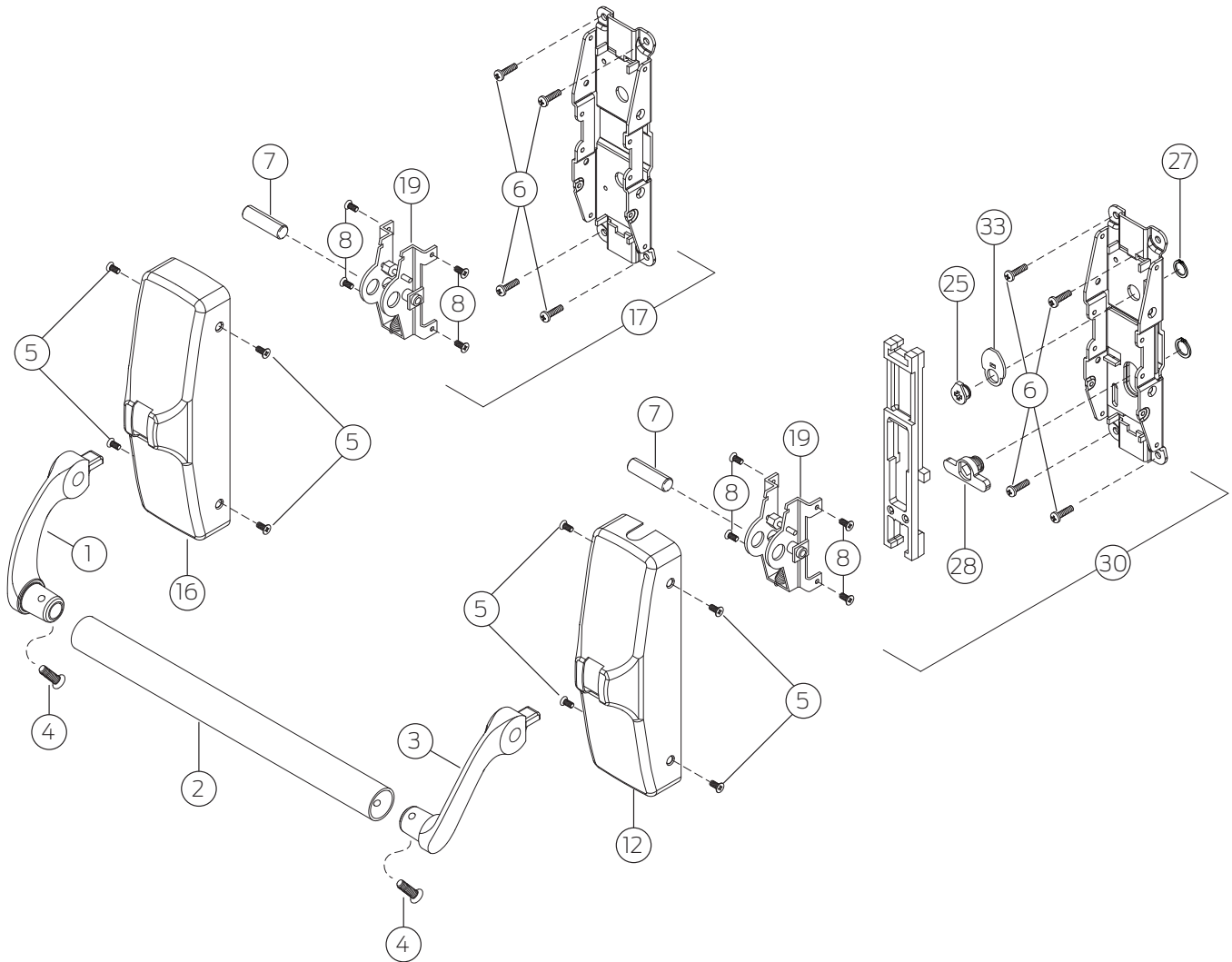
| No. | Qty. | Part No. | Description                          | Notes |
|-----|------|----------|--------------------------------------|-------|
| 12  | 1    | 3742     | XX-V Center Case Cover               | A     |
| 16  | 1    | 3741     | XX Series End Case Cover             | A     |
| 19  | 2    | 610044   | XX Axle Support Housing Assembly     |       |
| 24  | 1    | 3742     | XX Vertical Active Center Case Cover |       |
| 25  | 1    | 3566     | Locking Cam Operator                 |       |
| 27  | 1    | 660439   | Retaining Ring                       |       |
| 28  | 1    | 3775     | Knob Cam                             | B     |
| 30  | 1    | 582      | XX-V-K/L Center Case Assembly        |       |
|     |      | 587      | XX-V-EO Active Center Case Assembly  |       |
| 33  | 1    | 3762     | Locking Cam                          |       |

A Specify by finish: SP313, US3, US4, US10, US26, US26D, US32, US32D

B K/L function only.

# F-XX-V surface vertical rod exit device

**Fire**



| No. | Qty. | Part No. | Description  | Notes |
|-----|------|----------|--|-------|
| 1   | 1    | 3747     | XX Lever Arm LH  | A     |
| 2   | 1    | 3767     | XX Crossbar  | A     |
| 3   | 1    | 3746     | XX Lever Arm RH  | A     |
| 4   | 2    | 660025   | ¼-20 x ½" Crossbar Retaining Screw                                     |       |
| 5   | 1    | 600140   | Center Case Cover Mounting Package (US32D)                             |       |
| 6   | 1    | 650134   | F-XX-V Mounting Package  |       |
| 7   | 2    | 3749     | XX Series Lever Arm Axle   |       |
| 8   | 1    | 060121   | Latch Cover Screw package of 10 (specify by finish: US4, US10B, US32D) |       |
| 12  | 1    | 3742     | F-XX Series Center Case Cover  | A     |

| No. | Qty. | Part No. | Description                        | Notes |
|-----|------|----------|------------------------------------|-------|
| 16  | 1    | 3741     | XX Series End Case Cover           | A     |
| 17  | 1    | 684      | F-XX Series End Case Assembly      |       |
| 19  | 2    | 610214   | F-XX Axle Support Housing Assembly |       |
| 25  | 1    | 3566     | Locking Cam Operator               |       |
| 27  | 1    | 660439   | Retaining Ring                     |       |
| 28  | 1    | 3775     | XX-R Knob Cam                      | B     |
| 30  | 1    | 687      | F-XX-V-EO Center Case              |       |
|     |      | F582     | F-XX-V-K/L Center Case             |       |
|     |      | F583     | F-XX-V-TP Center Case              |       |
| 33  | 1    | 3762     | Locking Cam                        |       |

A Specify by finish: SP313, US3, US4, US10, US26, US26D, US32, US32D

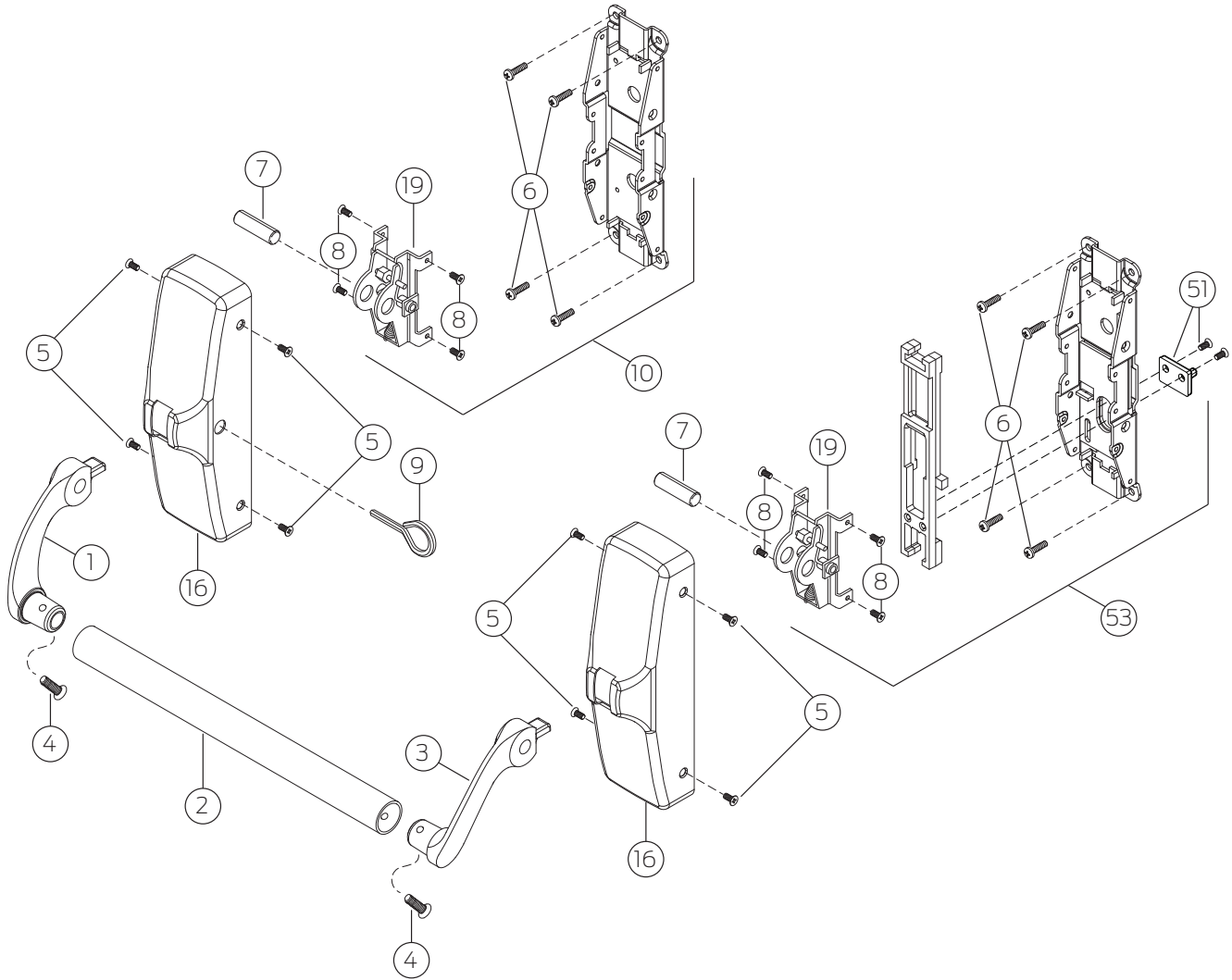
B K/L function only.





# XX-C concealed vertical rod exit device

## Panic



| No. | Qty. | Part No. | Description   | Notes |
|-----|------|----------|---|-------|
| 1   | 1    | 3747     | XX Lever Arm Left Hand                              | A     |
| 2   | 1    | 3767     | XX Crossbar   | A     |
| 3   | 1    | 3746     | XX Lever Arm Right Hand                             | A     |
| 4   | 2    | 660025   | ¼ - 20 x ½" Crossbar Retaining Screw                |       |
| 5   | 4    | 600140   | Center Case Cover Mounting Package                  |       |
| 6   | 1    | 650318   | XX-C Mounting Package                               |       |
| 7   | 2    | 3749     | XX Lever Arm Axle                                   |       |
| 8   | 4    | 060121   | Latch Cover Screw package of 10 (US4, US10B, US32D) | B     |

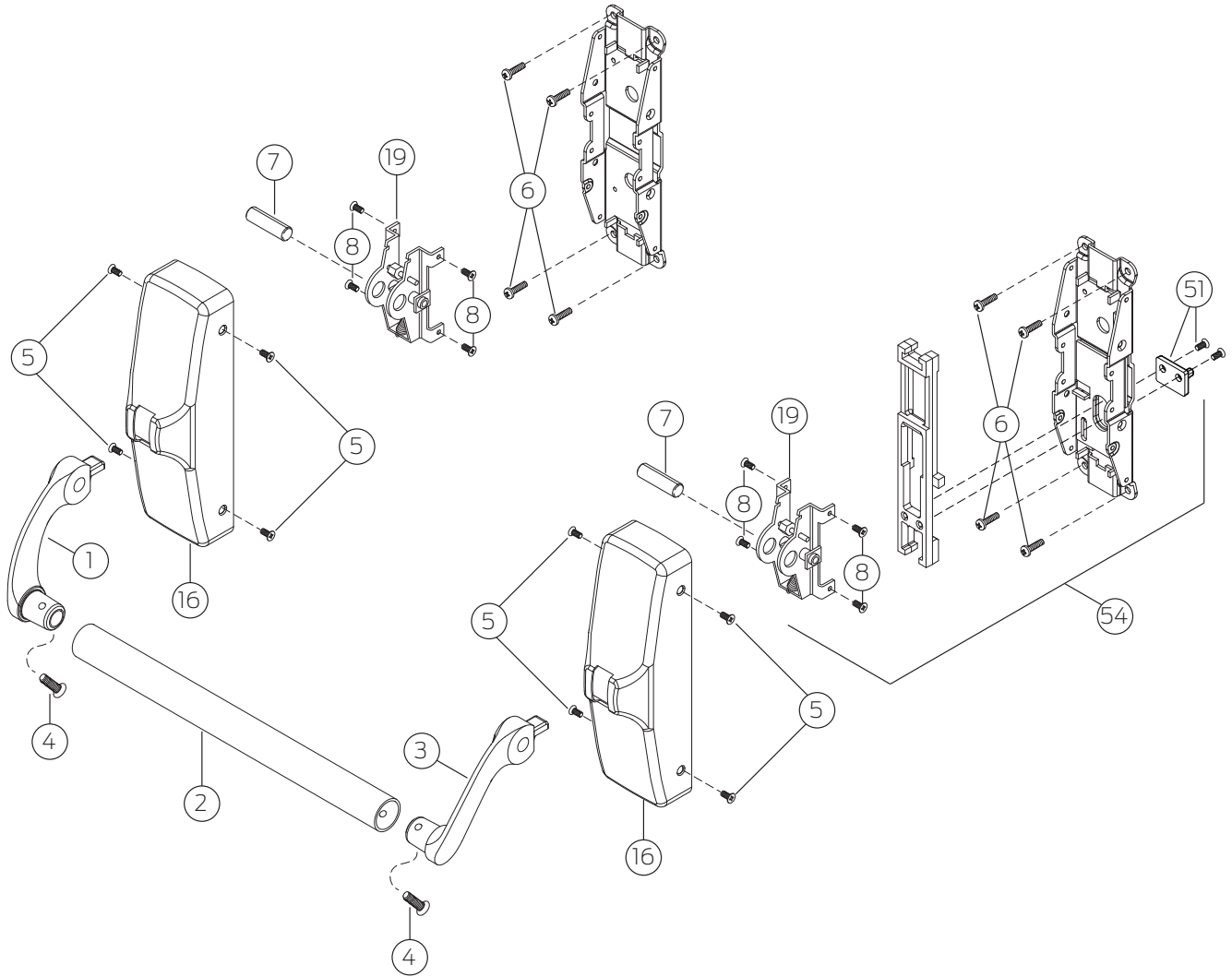
| No. | Qty. | Part No. | Description                          | Notes |
|-----|------|----------|--------------------------------------|-------|
| 9   | 1    | 060109   | 7/32" Hex Dogging Key package of 10  |       |
| 10  | 1    | 584      | XX Series End Case Assembly          |       |
| 16  | 2    | 3741     | XX Series End Case Cover             | A     |
| 19  | 2    | 610044   | XX Axle Support Housing Assembly     |       |
| 24  | 1    | 3742     | XX Vertical Active Center Case Cover |       |
| 51  | 1    | 650263   | Finger Kit                           |       |
| 53  | 1    | 591      | XX-C Active Center Case Assembly     |       |

A Specify by finish: SP313, US3, US4, US10, US26, US26D, US32, US32D

B Specify by finish shown

# F-XX-C concealed vertical rod exit device

## Fire



| No. | Qty. | Part No. | Description                          | Notes |
|-----|------|----------|--------------------------------------|-------|
| 1   | 1    | 3747     | XX Lever Arm Left Hand               | A     |
| 2   | 1    | 3767     | XX Crossbar                          | A     |
| 3   | 1    | 3746     | XX Lever Arm Right Hand              | A     |
| 4   | 2    | 660025   | ¼ - 20 x ½" Crossbar Retaining Screw |       |
| 5   | 4    | 600140   | Center Case Cover Mounting Package   |       |
| 6   | 1    | 650317   | F-XX-C Mounting Package              |       |
| 7   | 2    | 3749     | XX Lever Arm Axle                    |       |

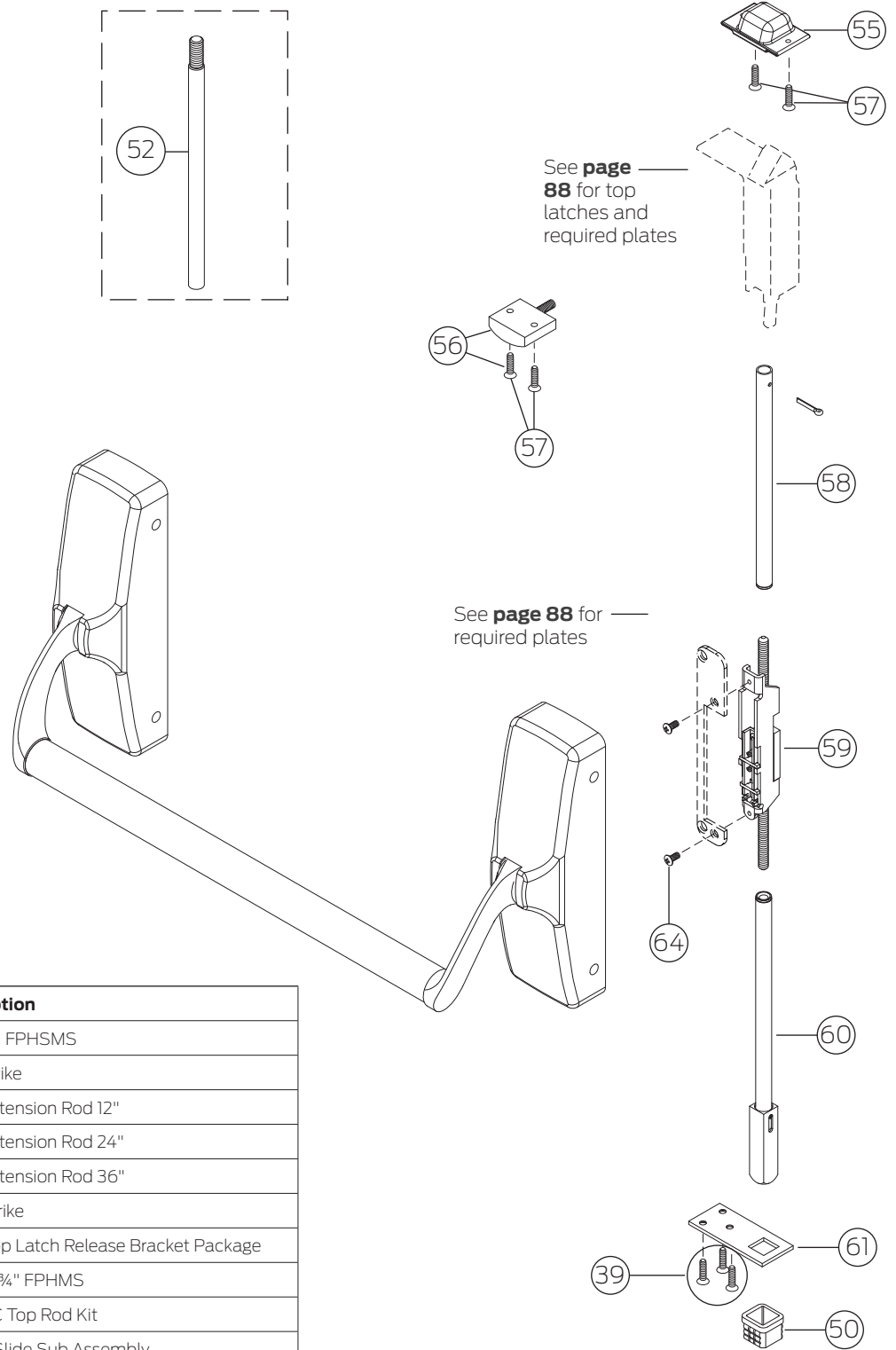
| No. | Qty. | Part No. | Description   | Notes |
|-----|------|----------|---|-------|
| 8   | 4    | 060121   | Latch Cover Screw package of 10 (US4, US10B, US32D) | B     |
| 16  | 2    | 3741     | XX Series End Case Cover - Fire                     | A     |
| 19  | 2    | 610214   | XX Axle Support Housing Assembly - Fire             |       |
| 24  | 1    | 3742     | XX Vertical Active Center Case Cover                |       |
| 51  | 1    | 650263   | Finger Kit  |       |
| 54  | 1    | 691      | F-XX-C Active Center Case Assembly                  |       |

A Specify by finish: SP313, US3, US4, US10, US26, US26D, US32, US32D

B Specify by finish shown

(F)XX-C concealed vertical rods and latches

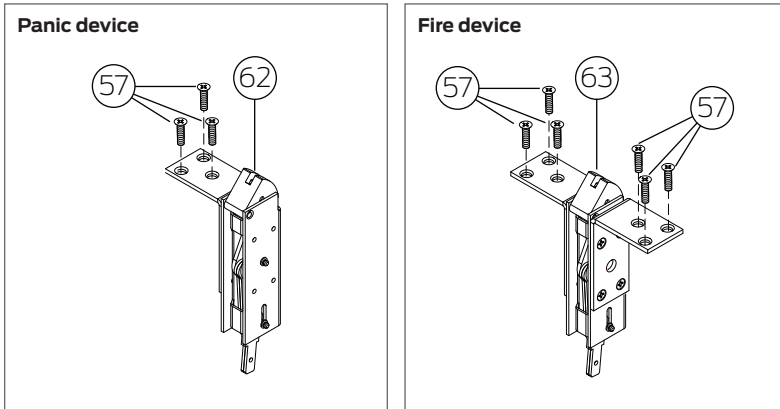
Panic and fire



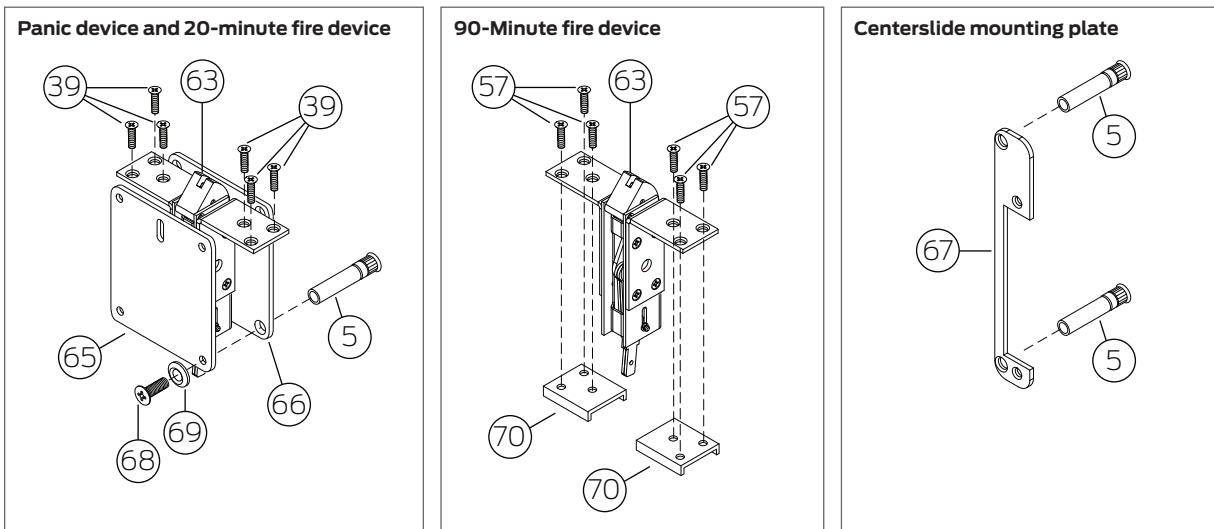
| No. | Qty. | Part No. | Description                            |
|-----|------|----------|--|
| 39  | 3    | 660002   | 10 x 1 1/4" FPHSMS                     |
| 50  | 1    | 2130     | 2130 Strike                            |
| 52  | 1    | 650006   | XX-V Extension Rod 12"                 |
|     | 1    | 650007   | XX-V Extension Rod 24"                 |
|     | 1    | 650008   | XX-V Extension Rod 36"                 |
| 55  | 2    | 4188     | 4188 Strike                            |
| 56  | 1    | 650339   | XX-C Top Latch Release Bracket Package |
| 57  | 2    | 660078   | 10-24 x 3/4" FPHMS                     |
| 58  | 1    | 610061   | (F)XX-C Top Rod Kit                    |
| 59  | 1    | 610037   | Center Slide Sub Assembly              |
| 60  | 1    | 610057   | (F)XX-C, CWDC Bottom Rod Kit           |
| 61  | 1    | 4567     | Bottom Bolt Guide                      |
| 64  | 2    | 660133   | #8-32 3/8" UFPHMS                      |

(F)XX-C concealed vertical top latches and plates

Metal door



Wood door



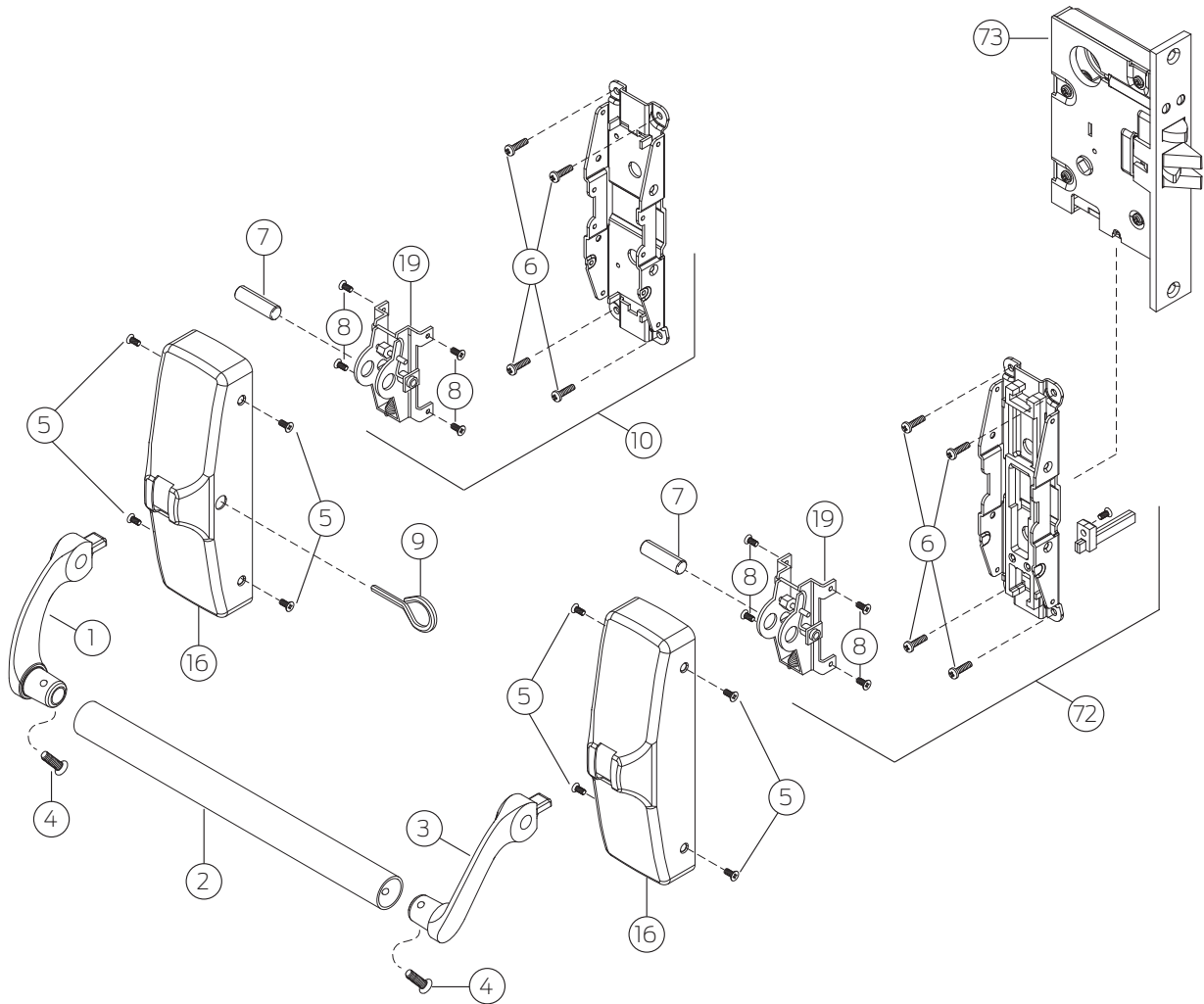
| No. | Qty. | Part No. | Description   | Notes |
|-----|------|----------|---|-------|
| 5   | 1    | 4122     | Through bolt, package of 1, includes machine screw (1/2" - 20 x 3/4" PPHMS) (US10B, US26D, BRS) | B     |
| 39  | 6    | 660002   | 10 x 1 1/4" FPHSMS  |       |
| 57  | 6    | 600078   | 10-24 x 3/4" FPHMS (Fire)   |       |
| 62  | 1    | 603L     | XX-C Top Latch Case LHR   |       |
|     | 1    | 603R     | XX-C Top Latch Case RHR   |       |
| 63  | 1    | F603     | F-XX-C, CWDC Top Latch Case   |       |
| 65  | 1    | 4834     | Top Reinforcement Plate with Access Hole  | A     |
| 66  | 1    | 4833     | Top Reinforcement Plate   | A     |
| 67  | 1    | 4832     | XX-CWDC Center Slide Reinforcement Plate  |       |
| 68  | 1    | 660044   | 1/4 - 20 x 3/4" FPHMS   |       |
| 69  | 1    | 660429   | 1/4" CSK Finish Washer  |       |
| 70  | 2    | 4694     | Latch Bracket   |       |

- A Specify by finish: US3, US4, US10, US10B, US15, US26, US26D, SP28, SP313
- B Specify by finish shown

**XX Series**

**XX-M mortise exit device**

**Panic**



| No. | Qty. | Part No. | Description   | Notes |
|-----|------|----------|---|-------|
| 1   | 1    | 3747     | XX Lever Arm Left Hand                                | A     |
| 2   | 1    | 3767     | XX Crossbar   | A     |
| 3   | 1    | 3746     | XX Lever Arm Right Hand                               | A     |
| 4   | 2    | 660025   | ¼-20 x ½" Crossbar Retaining Screw                    |       |
| 5   | 1    | 650336   | Latch Case Cover Mounting Package (US4, US10B, US32D) | B     |
| 6   | 1    | 650137   | XX-M Service Mounting Package                         |       |
| 7   | 2    | 3749     | XX Lever Arm Axle                                     |       |
| 8   | 4    | 060121   | Latch Cover Screw package of 10 (US4, US10B, US32D)   | B     |

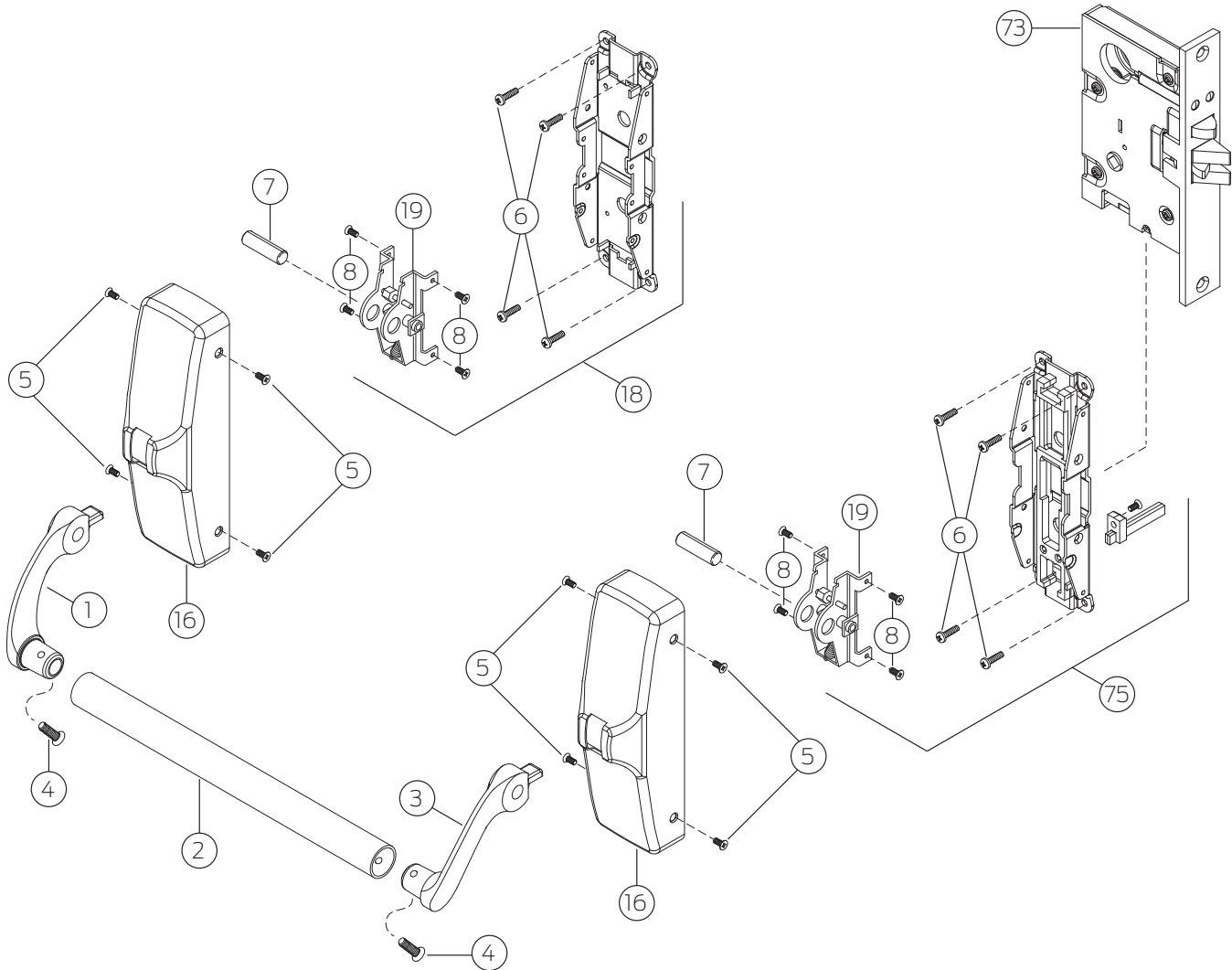
| No. | Qty. | Part No. | Description                              | Notes |
|-----|------|----------|--|-------|
| 9   | 1    | 2789     | Hex Dogging Key 7/32" package of 10      |       |
| 10  | 1    | 584      | XX End Case Assembly                     |       |
| 16  | 2    | 3741     | XX Series End Case Cover                 | A     |
| 19  | 2    | 610044   | XX Axle Support Housing Assembly         |       |
| 73  | 1    |          | Mortise Lock - 8500 x Function x Handing | A     |
| 75  | 1    | 650145   | XX-Mortise Center Case LHR               |       |
|     |      | 650146   | XX-Mortise Center Case RHR               |       |

A Specify by finish: SP313, US3, US4, US10, US26, US26D, US32, US32D

B Specify by finish shown

# F-XX-M mortise exit device

## Fire



| No. | Qty. | Part No. | Description   | Notes |
|-----|------|----------|---|-------|
| 1   | 1    | 3747     | XX Lever Arm Left Hand                                | A     |
| 2   | 1    | 3767     | XX Crossbar   | A     |
| 3   | 1    | 3746     | XX Lever Arm Right Hand                               | A     |
| 4   | 2    | 660025   | ¼-20 x ½" Crossbar Retaining Screw                    |       |
| 5   | 4    | 650336   | Latch Case Cover Mounting Package (US4, US10B, US32D) | B     |
| 6   | 1    | 650138   | F-XX-M Service Mounting Package                       |       |
| 7   | 2    | 3749     | XX Lever Arm Axle                                     |       |

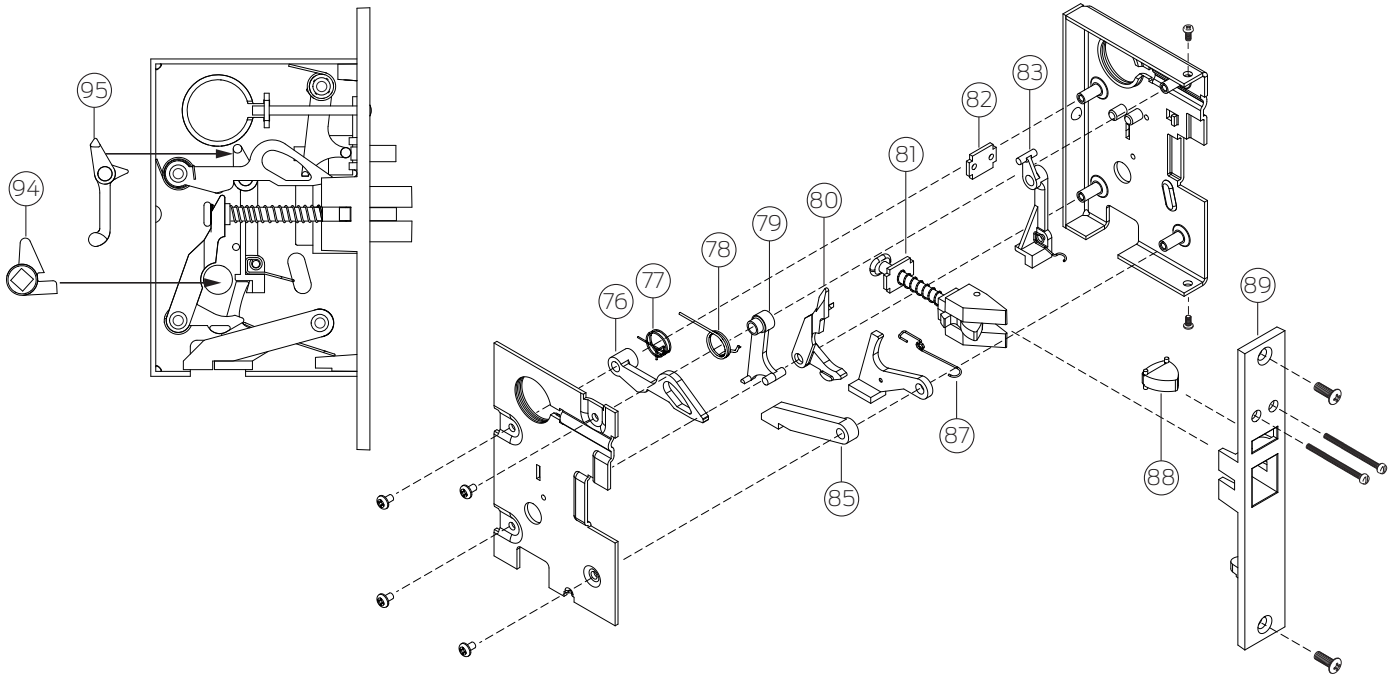
| No. | Qty. | Part No. | Description   | Notes |
|-----|------|----------|---|-------|
| 8   | 4    | 060121   | Latch Cover Screw package of 10 (US4, US10B, US32D) | B     |
| 16  | 2    | 3741     | XX Series End Case Cover - Fire                     | A     |
| 18  | 1    | 684      | F-XX End Case Assembly                              |       |
| 19  | 2    | 610044   | Axle Support Assembly                               |       |
| 73  | 1    |          | Mortise Lock – 8500 x Function x Handing            | A     |
| 75  | 1    | 650149   | F-XX-Mortise Center Case LHR                        |       |
|     |      | 650150   | F-XX-Mortise Center Case RHR                        |       |

A Specify by finish: US3, US4, US10, US10B, US26, US26D

B Specify by finish shown

(F)XX-M mortise lock

Panic and fire



| No. | Qty. | Part No. | Description              | Notes |
|-----|------|----------|--------------------------|-------|
| 76  | 1    | 4067     | Locking Arm              |       |
| 77  | 1    | 3518     | Dead Lock Arm Spring     | D     |
| 78  | 1    | 661473   | Auxiliary Bolt Spring    |       |
| 79  | 1    | 3530     | Auxiliary Bolt Actuator  |       |
| 80  | 1    | 3521     | Actuating Arm            |       |
| 81  | 1    | 610041   | 8500 Latch Bolt Assembly |       |
| 82  | 1    | 4025     | Cylinder Screw Retainer  | C     |

| No. | Qty. | Part No. | Description                     | Notes |
|-----|------|----------|---------------------------------|-------|
| 83  | 1    | 610042   | Locking Arm and Spring Assembly | C, D  |
| 85  | 1    | 3522     | Main Lift                       |       |
| 87  | 1    | 3516     | T-Lift Spring                   |       |
| 88  | 1    | 3529     | Auxiliary Bolt (US26D)          |       |
| 89  | 1    | 3515     | Mortise Lock Face               | E     |
| 94  | 1    | 3519     | Mortise K-Hub                   | B, C  |
| 95  | 1    | 3542     | Clinder Operating Arm           | C, F  |

B Used in K/L trim functions only.

C. Omit for "BE" trim function.

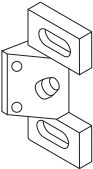
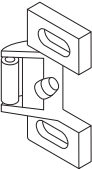
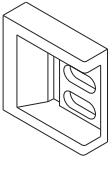
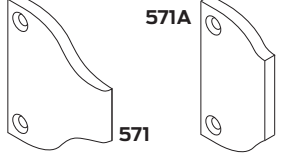

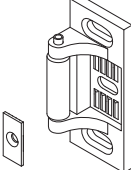
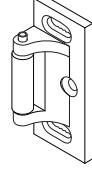
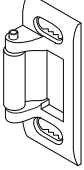
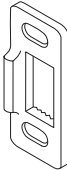

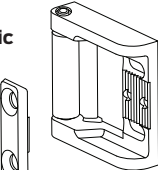
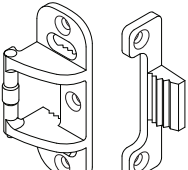

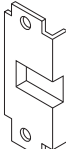

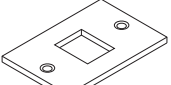
D. Dead lock arm spring (Part No. 3518) required for NL function. Remove existing spring and screw from locking arm for NL.

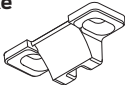
E Available only in US3, US4, US10, US10B, US26, US26D

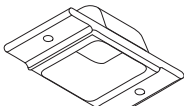
F NL function only.

# Strikes

## 19, 24, 25 and XX Series device, top and bottom strikes

|  |  |   |  |
|--|--|---|--|
| <p><b>F570</b><br/>Standard<br/>19/XX Rim Panic and Fire Devices</p>                | <p><b>F490</b><br/>Optional<br/>19/XX Rim Panic and Fire Devices</p>              | <p><b>565</b><br/>Optional<br/>19/XX Rim Panic Devices</p>                                     | <p><b>571/57A</b><br/>Optional<br/>19/XX Rim Inactive Leaf</p>                                |
| <p><b>579</b><br/>Optional<br/>XX Rim Panic Devices</p>                             | <p><b>299</b><br/>Standard<br/>24/25 Rim Panic Devices Single or Double Door</p>  | <p><b>299F</b><br/>Standard<br/>24/25 Rim Fire Devices Single or Double Door</p>               | <p><b>264</b><br/>Optional<br/>24/25 Rim Panic Devices Single or Double Door</p>              |
| <p><b>1606</b><br/>Optional<br/>24/25 Rim Panic Devices Single or Double Door</p>  | <p><b>1609</b><br/>Optional<br/>25 Rim Devices Single or Double Door</p>         | <p><b>1439</b><br/>Optional<br/>24/25 Rim Panic Devices Single or Double Door</p>              | <p><b>499F</b><br/>Optional<br/>25 Rim Fire Devices with Mullion</p>                         |
| <p><b>1279</b><br/>Standard<br/>25/XX Mortise Panic and Fire Devices</p>          | <p><b>F1280</b><br/>Optional<br/>25 Fire Devices</p>                            | <p><b>2130</b><br/>Standard Bottom Strike<br/>19-V, 24/25/XX-V,C Panic and Fire Devices</p>  | <p><b>4155</b><br/>Optional Bottom Strike<br/>19-V, 24/25/XX-V,C Panic or Fire Devices</p>  |

|  |
|--|
| <p><b>3788</b><br/>Standard Top Strike<br/>19/24/25/XX-V Panic or Fire Devices</p>  |
|--|

|  |
|--|
| <p><b>4188</b><br/>Standard Top Strike<br/>24/25/XX-C, CWDC Panic or Fire Devices</p>  <p>Optional 4188 NS (narrow stile) available for 24-C and 24-CWDC devices (not shown).</p> |
|--|

| Strike finishes                           |   |
|---|---|
| Strike(s)                                 | Available finish(es)                      |
| F490, 1606, 3788, 4188, 2130, 1279, F1280 | Unfinished                                |
| 264                                       | US19, US26D                               |
| 299                                       | US19, US26D, US4, US10, SP313, US3, US26  |
| 299F                                      | US19, US32D, US4, US10, US10B, US3, US32  |
| 499F, F570, 1439                          | US19                                      |
| 565, 579, 4155                            | US26D, US4, US10, SP313, US10B, US3, US26 |
| 571, 571A                                 | US32D, US10, SP313, US10B, US32           |
| 1609                                      | US19, US26D, US4, US10, US10B, US3, US26  |

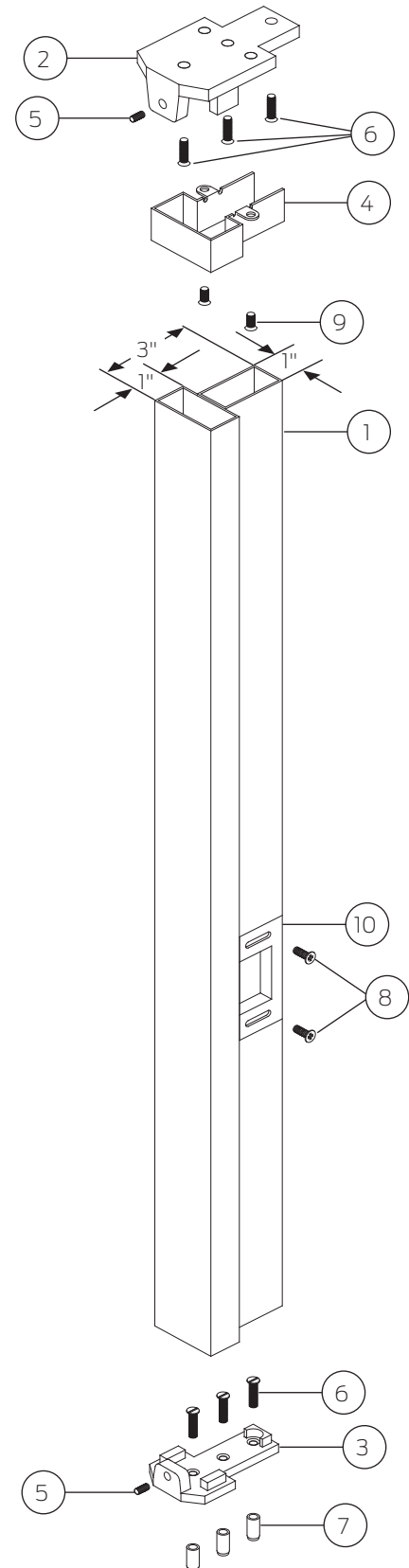


Mullions

# Mullions

4423

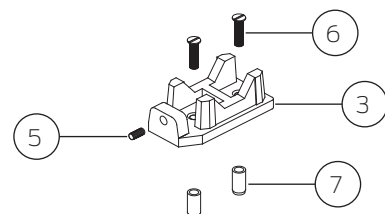
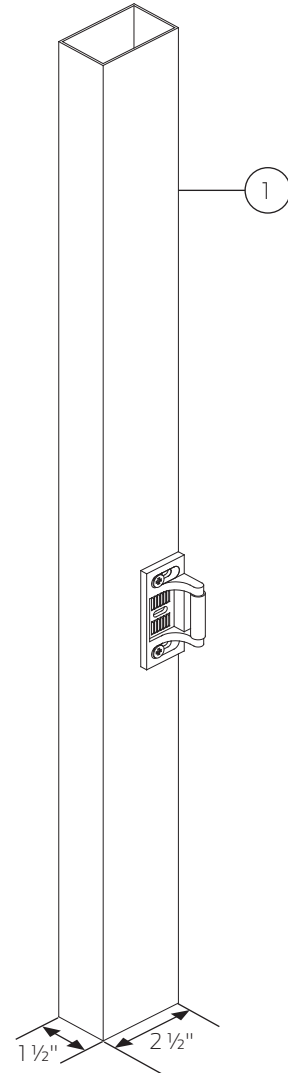
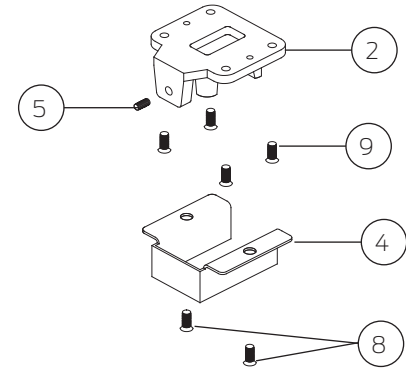
| No. | Qty. | Part No. | Description                |
|-----|------|----------|----------------------------|
| 1   | 1    | 4423     | Mullion                    |
| 2   | 1    | 060107   | Top fitting                |
| 3   | 1    | 060108   | Bottom Fitting             |
| 4   | 1    | 4394     | Top Fitting Clamp          |
| 5   | 2    | 709146   | 3/8" - 16 x 1/2" Set Screw |
| 6   | 6    | 709032   | 1/4" - 20 x 1 1/4" FPHMS   |
| 7   | 3    | 709036   | 1/4" - 20 x 1" Lead Anchor |
| 8   | 4    | 709051   | #10 - 24 x 1/2" FPHMS      |
| 9   | 2    | 709196   | #10 - 24 x 1/2" FPHMS      |
| 10  | 2    | 4396     | 4396 Strike                |



## Mullions

### 2923

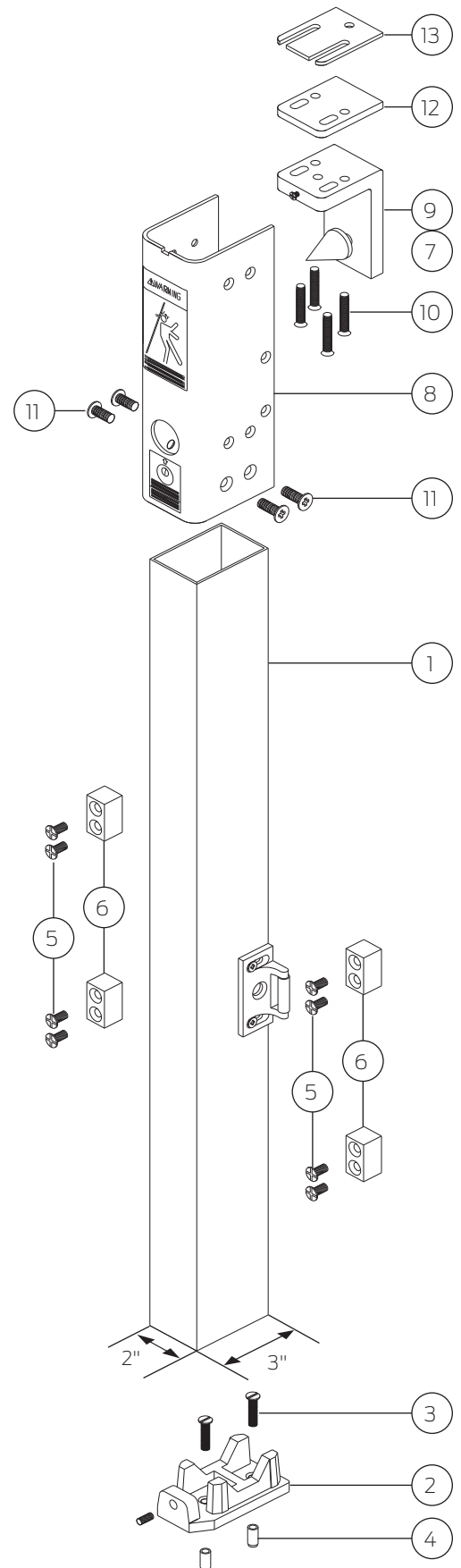
| No. | Qty. | Part No. | Description                                      |
|-----|------|----------|--|
| 1   | 1    | 2923     | Mullion  |
| 2   | 1    | 060104   | Top fitting                                      |
| 3   | 1    | 060105   | Bottom Fitting                                   |
| 4   | 1    | 4181     | Top Fitting Clamp                                |
| 5   | 2    | 709146   | $\frac{3}{8}$ " - 16 x $\frac{1}{2}$ " Set Screw |
| 6   | 6    | 709032   | $\frac{1}{4}$ " - 20 x 1 - $\frac{1}{4}$ " FPHMS |
| 7   | 3    | 709036   | $\frac{1}{4}$ " - 20 x 1 Lead Anchor             |
| 8   | 2    | 709196   | #10 - 24 x $\frac{1}{2}$ " FPHMS                 |
| 9   | 4    | 709023   | #10 - 24 x $\frac{3}{4}$ " FPHMS                 |



## Mullions

### CRF-4023, CR-4023 and CRF-4023, CR-4023 Retrofit Kits

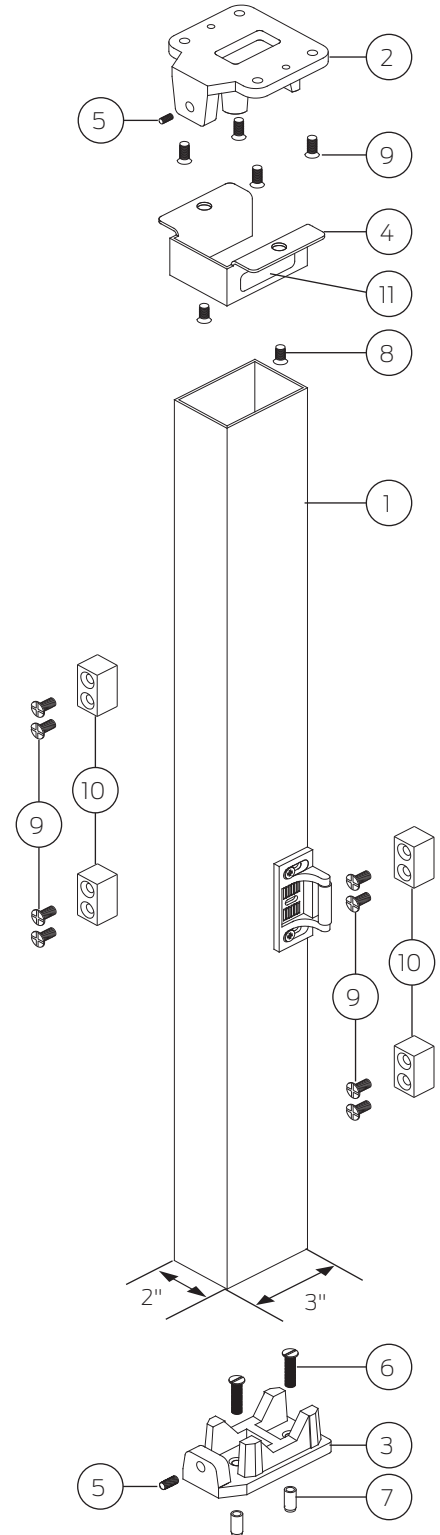
| No.       | CRF-4023 | CR-4023 | CRF-4023 Retrofit Kit | CR-4023 Retrofit Kit | Part No. | Description                          |
|-----------|----------|---------|-----------------------|----------------------|----------|--------------------------------------|
| 1         | 1        | 1       |                       |                      | 4023     | Mullion                              |
| 2         | 1        | 1       |                       |                      | 060102   | Bottom Fitting                       |
| 3         | 2        | 2       |                       |                      | 709094   | 3/8" - 16 x 1 1/4" FPMS              |
| 4         | 2        | 2       |                       |                      | 709075   | 3/8" - 16 Steel Anchor               |
| 5         | 6        |         |                       |                      | 709118   | 1/4" - 20 x 3/4" FPHMS               |
| 6         | 4        |         |                       |                      | 4051     | Stabilizer Block                     |
| 7         | 1        |         | 1                     |                      | 4050     | UL Fire Label (on item #9)           |
| 8         | 1        | 1       | 1                     | 1                    | 900549   | Cylinder Removable Mullion Unit      |
| 9         | 1        | 1       | 1                     | 1                    | 900547   | Top Mullion Fitting (CRM)            |
| 10        | 4        | 4       | 4                     | 4                    | 709318   | 1/4 - 20 x 2" PPHMS                  |
| 11        | 4        | 4       | 4                     | 4                    | 709313   | 1/4 - 20 x 3/4" UFPHMS               |
| 12        | 1        | 1       | 1                     | 1                    | 4970     | Top Mullion Fitting Shim             |
| 13        | 1        | 1       | 1                     | 1                    | 4988     | Adjustment Shim (1 shipped standard) |
| Not shown | 1        | 1       | 1                     | 1                    | 4966     | Cylinder Mounting Bracket            |
|           | 1        | 1       | 1                     | 1                    | 3894     | Cylinder Nut                         |



# Mullions

## F-4023 and 4023

| No. | F-4023 | 4023 | Part No. | Description                |
|-----|--------|------|----------|----------------------------|
| 1   | 1      | 1    | 4023     | Mullion                    |
| 2   | 1      | 1    | 060106   | Top Fitting                |
| 3   | 1      | 1    | 060102   | Bottom Fitting             |
| 4   | 1      | 1    | 4002     | Top Fitting Clamp          |
| 5   | 2      | 2    | 709095   | 3/8" - 16 x 3/4" Set Screw |
| 6   | 2      | 2    | 709094   | 3/8" - 16 x 1 1/4" FPHMS   |
| 7   | 2      | 2    | 709075   | 3/8" - 16 Steel Anchor     |
| 8   | 2      | 2    | 709093   | 1/4 - 20 x 3/8" PPHMS      |
| 9   | 12     | 4    | 709118   | 1/4" - 20 x 3/4" FPHMS     |
| 10  | 4      |      | 4051     | Stabilizer Block           |
| 11  | 1      |      | 4050     | UL Fire Label              |



## About Allegion

Allegion (NYSE: ALLE) creates peace of mind by pioneering safety and security. As a \$2 billion provider of security solutions for homes and businesses, Allegion employs more than 7,800 people and sells products in more than 120 countries across the world. Allegion comprises 23 global brands, including strategic brands CISA®, Interflex®, LCN®, Schlage® and Von Duprin®.

For more, visit [www.allegion.com](http://www.allegion.com).

*aptiQ* ■ LCN ■ **SCHLAGE** ■ STEELCRAFT ■ VON DUPRIN