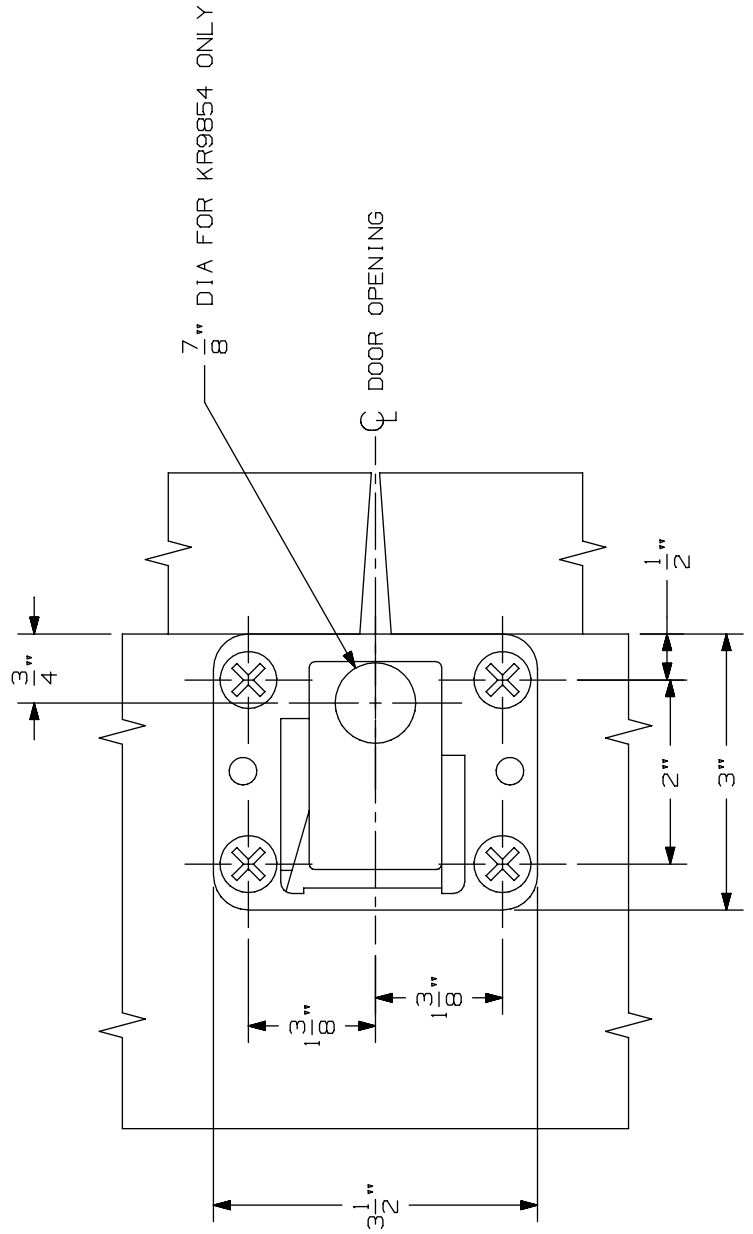
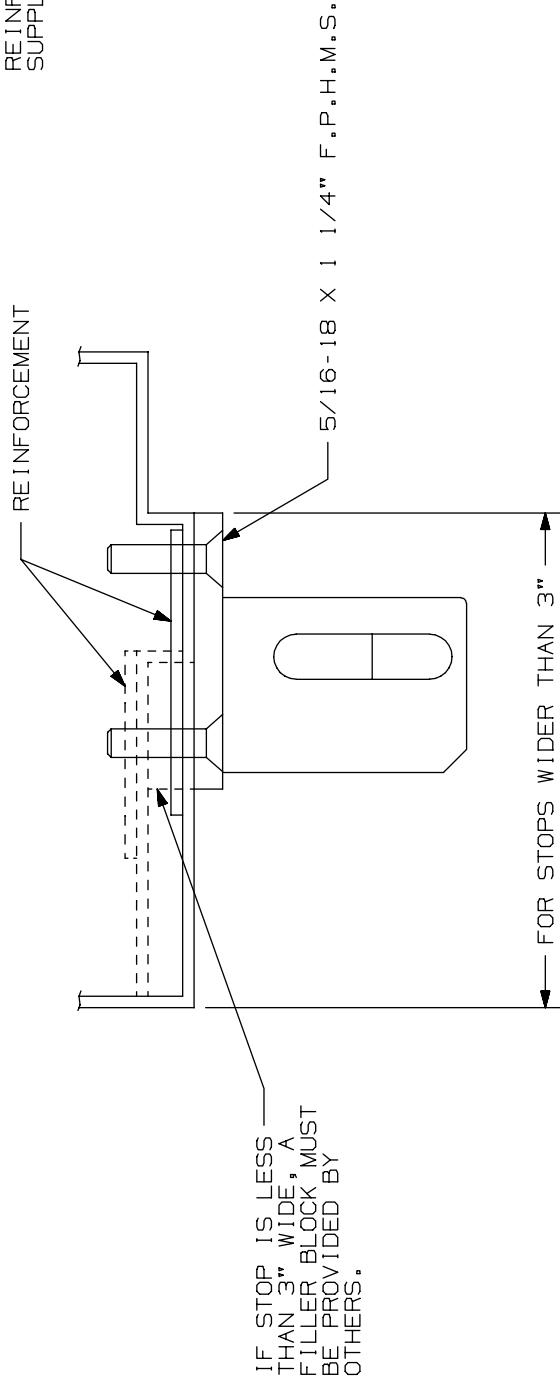


NOTE: SHEET METAL FRAME REINFORCEMENT IS TO BE SUPPLIED BY FRAME MFR.



KR9854 & KR9954 Mullion

VON DUPRIN®

NOTES: SEE MASTER SHEET #10001 FOR SUGGESTED REINFORCING

TEMPLATE NUMBER:

40037_a

DATE:
05-28-13