

Brio®

Sliding and
folding door
hardware



Contents

Introduction

About Brio 3

Single Run Systems

Single Run 80 and 100 6

Soft Close 100 Accessory7

Single Run 120..... 8

Single Run 180 10

Single Run 350.....11

Single Run Illustrations..... 12-16

Single Run Specifications 17

Zero Clearance Systems

Zero Clearance

80, 100, 120, 180 – Glass20

Zero Clearance

80, 100, 120 180, 350 – Wood.....21

Zero Clearance Illustrations.....22-26

Zero Clearance Specifications 27

Open Rail Systems

Open Flat Bar Rail – Wood.....30, 31

Open Round Rail Wood – Face Fix 32, 33

Open Round Rail Wood – Top-Fix....34, 35

Open Square Rail – Wood 36, 37

Open Round Rail – Glass 37

Open Rail Illustrations.....38-42

Open Rail Specifications.....43





Brio® where ideas unfold

Watch your adventurous architectural ideas unfold into exciting reality with the Brio range of sliding and folding door hardware.

Brio is passionate about shaping the spaces in which people live, work and play. With subsidiaries in the UK and USA Brio is recognized by architects worldwide as a leading design and manufacturing company.

Brio's R&D department brings a strong design element to the business, developing and testing ground breaking concepts that continue to be at the forefront of the industry.

So it's no surprise our name Brio translates to Energy, Spirit and Vitality – the core values that drive us to always discover new solutions for our customers. We are committed to the continuous improvement of quality.

Brio, part of the Allegion family of brands.

For any questions or more information, contact Brio USA for assistance:

Brio USA

85 Mushroom Blvd
Rochester, NY 14623-3201
Toll Free +1 855 586 6251
Phone +1 585 319 5599
Fax +1 585 319 5741
www.briouusa.com
email: brio.sales.usa@allegion.com

Single Run

Zero Clearance

Open Rail

Designed by MAKE Architecture





Single Run

Zero Clearance

Open Rail

Single Run

Top hung straight sliding
architectural systems for panels
up to 770 lbs(350 kg)

Single Run 80 and 100

Brio's Single Run 80 and 100 systems are designed for interior and exterior sliding shutters and doors up to 175 and 220 lbs (80 and 100 kg) in weight for residential or light commercial applications. These systems are suitable for single panels sliding to one side or two panels bi-parting in a single run of track. Alternatively, panels can slide parallel to each other to suit almost any configuration.

The compact structural aluminum 100 track can be top-fixed through the track or side fixed using the Brio stainless steel face fixed mounting brackets for single or double track runs. The 100 track profile ensures the wheels cannot disengage and serves to reduce the risk of contamination as debris is less likely to accumulate on the raised rails. The track is available in 25 micron clear anodized aluminum for improved corrosion performance.

Single Run 80's glass reinforced nylon hanger body with stainless steel fixing plate and hanger bolt ensures long life and high corrosion resistance. Single Run 100's cast alloy hanger body offers improved performance for heavier panels and is also available with stainless steel fixings. Both hangers use four wheels with reinforced nylon tires, which are available with a choice of chrome or stainless steel high-speed precision bearings. This combined with the unique 100 track profile offers years of silent, smooth operation and superior rolling performance.

The hanger and fixing plate allow simple height adjustment by tightening or loosening the hanger bolt. The hanger plate also features two anti-slip tabs to prevent the door from disengaging from the hanger bolt. A comprehensive range of bottom channels and guides are available to suit a wide range of applications.

Both systems are designed to operate with Brio's soft close device for panels up to 220 lbs (100 kg). The neat design allows the device to be housed inside the track, ensuring minimum clearances between track and panel are maintained.

Note: The Soft Close is available for Zero Clearance 80 and 100 and Single run 80 and 100 systems. See page 7 for more detail.

Single Run 80

| | |
|---------------------|---|
| Max panel weight | 175 lbs (80 kg) |
| Max panel height | 118 1/8" (3000 mm) |
| Min panel thickness | 1 1/8" (28 mm) |
| Hanger material | Glass reinforced nylon |
| Plate material | Mild or stainless steel (bearing dependent) |
| Application | Interior and exterior sliding wood or aluminum shutters and doors |

Single Run 100

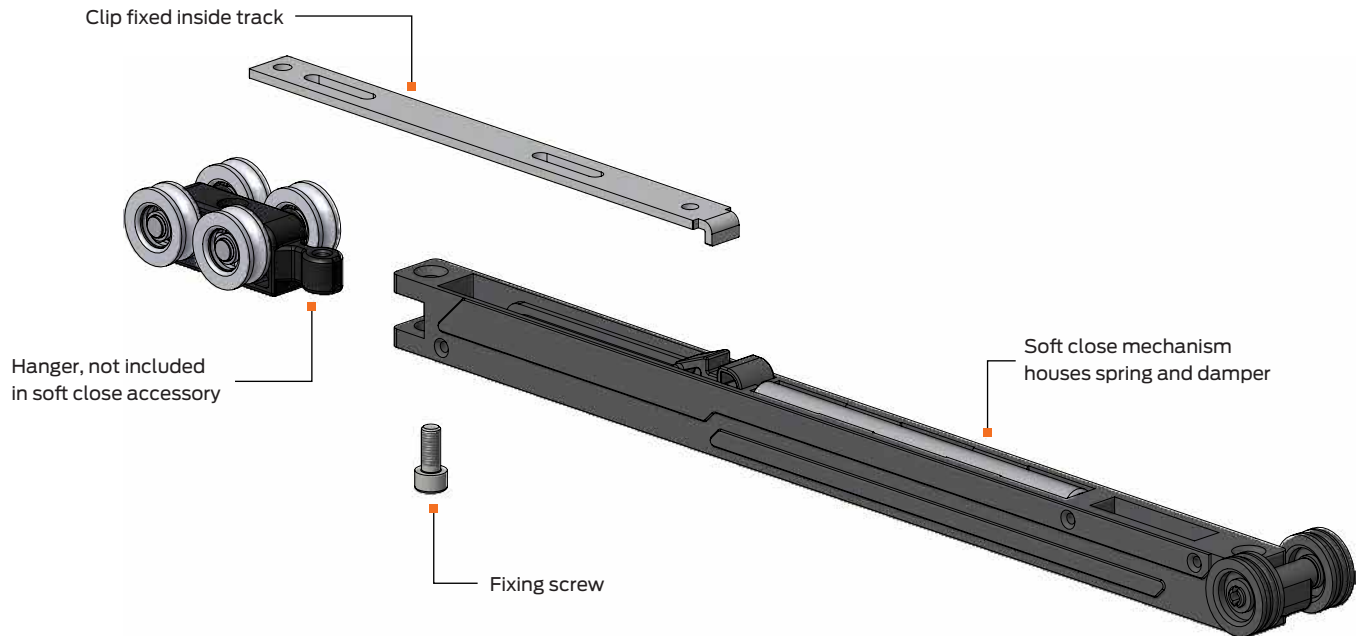
| | |
|---------------------|---|
| Max panel weight | 220 lbs (100 kg) |
| Max panel height | 118 1/8" (3000 mm) |
| Min panel thickness | 1 1/8" (28 mm) |
| Hanger material | Cast alloy, EPD black coated |
| Plate material | Mild or stainless steel (bearing dependent) |
| Application | Interior and exterior sliding wood or aluminum shutters and doors |

Soft Close 100

Brio's new Soft Close accessory is available for Single Run and Zero Clearance Wood and Glass for panels up to 220 lbs (100 kg). Our Soft Close works with the 80 series and 100 series hangers. The neat design allows the device to be housed inside the track ensuring minimum clearances between track and panel are maintained.

The Soft Close is easy to install and simple to operate as the spring and damper work together to control the panel. The mechanism catches the moving door and reduces its speed before retracting it towards the jamb, ensuring a quiet and soft stop every time. This reduction in speed also means little fingers are kept safe from slamming doors.

Single Run 80 hanger shown



Single Run 120

The Brio Single Run 120 system is designed for interior and exterior sliding shutters and doors up to 265 lbs (120 kg) in residential or light commercial applications. It uses four nylon tired, chrome or stainless steel high-speed precision bearings for smooth operation. The 120 series' cast stainless steel hangers make it a durable solution for high traffic applications with impressive corrosion resistance.

There are several dedicated hangers to suit a wide range of applications and door constructions, such as wood, aluminum or MDF. Each hanger has been designed for simple installation and ease of adjustment. A comprehensive range of bottom channels and guides are also available.

The system is suitable for a single panel slid to one side, or two panels bi-parting in a single run of track. The 120 track can be soffit-fixed through the top, or side-fixed using Brio stainless steel face-fixed mounting brackets for single or double track runs. In addition, our 120 track is available in 25 micron clear anodized for improved corrosion performance.

Our new 120R track is suitable for internal applications for easy integration with ceiling tiles. 120R is available in 15 micron clear anodized aluminum.

Single Run 120

| | |
|---------------------|---|
| Max panel weight | 265 lbs (120 kg) |
| Max panel height | 118 1/8" (3000 mm) |
| Min panel thickness | 3/4" (19 mm) |
| Application | Interior and exterior sliding wood or aluminum shutters and doors |



Designed by MAKE Architecture



Single Run

Zero Clearance

Open Rail

Single Run 180

The Brio Single Run 180 is the most versatile of all the Brio straight sliding systems. The 395 lbs (180 kg) panel capacity can accommodate large panels. For example, an aluminum framed panel 98 ³/₈" x 98 ³/₈" (2.5 m x 2.5 m) with ³/₈" (10 mm) thick glass can slide on a single track or parallel to another. Single Run 180 is suited for both internal and external residential, commercial, and light industrial applications.

Brio's straight sliding architectural systems are designed to exceed customer expectations. Cast marine grade 316 stainless steel hanger body minimizes joints and screws while maximizing it's durability. Only with cast technology is it possible to form complex shapes and introduce safety features such as anti-slip. Should a locking nut become loose using Brio hardware, the panel cannot simply slide off its hanger.

While the chrome steel bearings come standard, full stainless steel bearings are available as an optional upgrade. Full stainless steel bearings are an ideal choice for exposed applications.

The 180 series is a versatile solution, with hangers to suit heavy wood, aluminum, and metal doors. Options are also available for corner, top fixing, or bolting through angles and box sections. The track can be soffit-fixed through the top, or side-fixed using Brio cast stainless steel, face-fixed mounting brackets for single or double track runs.

The 180 track is available in 25 micron clear anodized aluminum for improved corrosion performance. A comprehensive range of bottom channels and guides are available to suit a wide range of applications.

Single Run 180

| | |
|---------------------|--|
| Max panel weight | 395 lbs (180 kg) |
| Max panel height | 118 ¹ / ₈ " (3000 mm) |
| Min panel thickness | 1 ³ / ₈ " (35 mm) |
| Application | Interior and exterior sliding wood, metal or aluminum shutters and doors |



Joinery by Nicco Joinery, Photography by Justin Alexander



Single Run 350

The single run 350's structural aluminum track with $\frac{1}{8}$ " (3 mm) wall thickness enables Brio architectural systems to support panels weighing up to 770 lbs (350 kg). Brio Single Run 350 is ideally suited to large openings in residential, commercial and industrial interior or exterior applications.

To accommodate these higher loads, the wheels used in Single Run 350 increase in size. Like all Brio Single Run systems, the combination of precision bearings, nylon tired wheels and our unique track profiles offer quiet finger-tip control.

Brio Single Run is designed to be discrete which is why our square track is ideally shaped for recessing into the ceiling line. Two parallel track seal grooves locate brush seals that hide the hanger bolts and brackets, while providing sound reduction. The track can be soffit-fixed through the top or side-fixed using Brio stainless steel face-fixed mounting brackets for single or double track runs.

The 250 track is available in 25 micron clear anodized aluminum for improved corrosion performance. A comprehensive range of bottom channels and guides are available to suit a wide range of applications.

Single Run 350

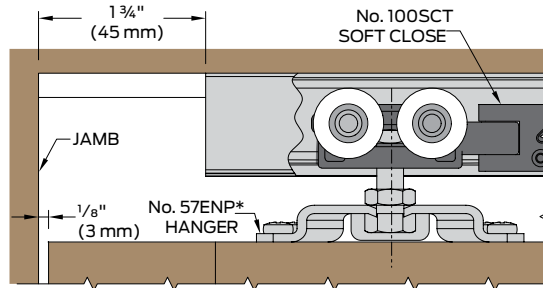
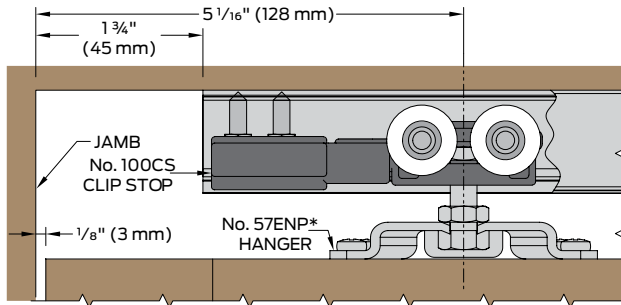
| | |
|---------------------|--|
| Max panel weight | 770 lbs (350 kg) |
| Max panel height | 129 $\frac{7}{8}$ " (3300 mm) |
| Min panel thickness | 1 $\frac{3}{8}$ " (35 mm) |
| Application | Interior and exterior sliding wood, metal or aluminum shutters and doors |

Single Run 80 and 100

For top hung straight sliding panels, max 175 lbs (80 kg) or 220 lbs (100 kg) each

TRACK FIXING CENTERS

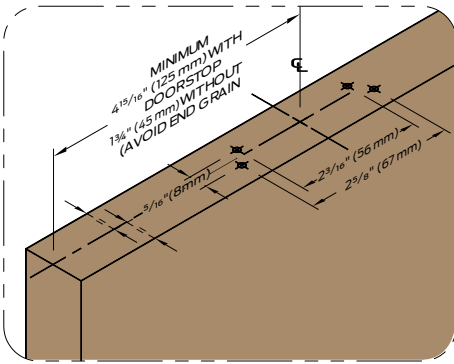
$\frac{13}{16}$ " (20mm) FROM EACH END, 15 $\frac{3}{4}$ " (400mm) MAXIMUM SPACINGS



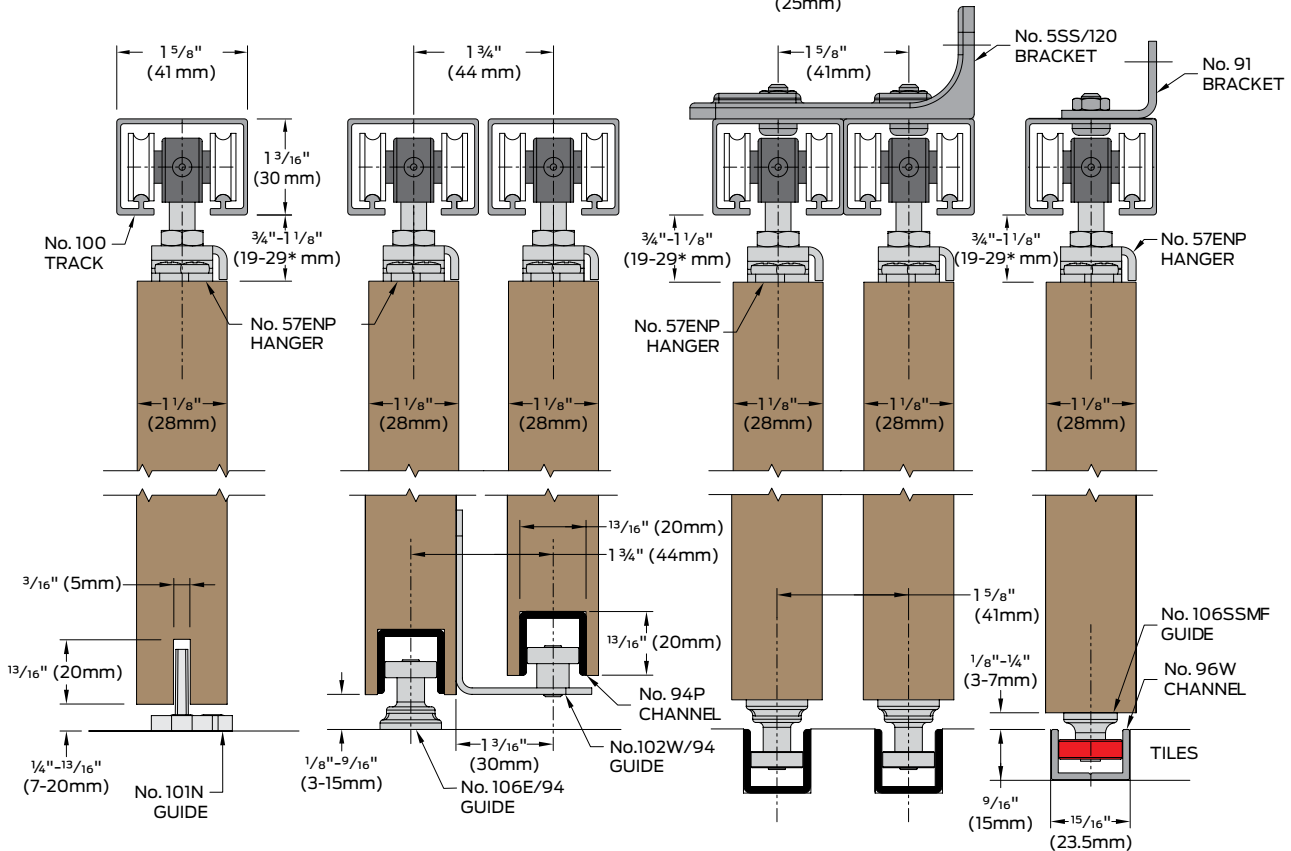
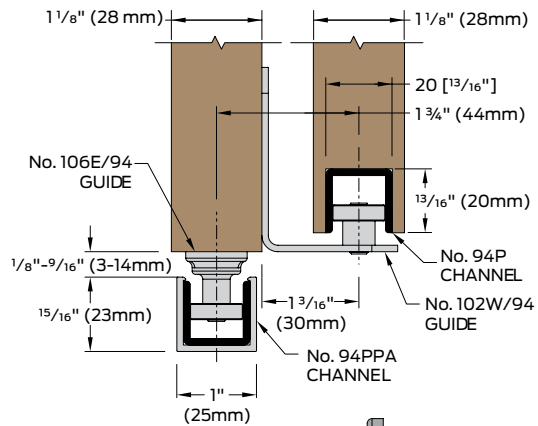
*57ENP INTERCHANGEABLE WITH 57DN

PANEL PREPARATION

No. 57ENP HANGER



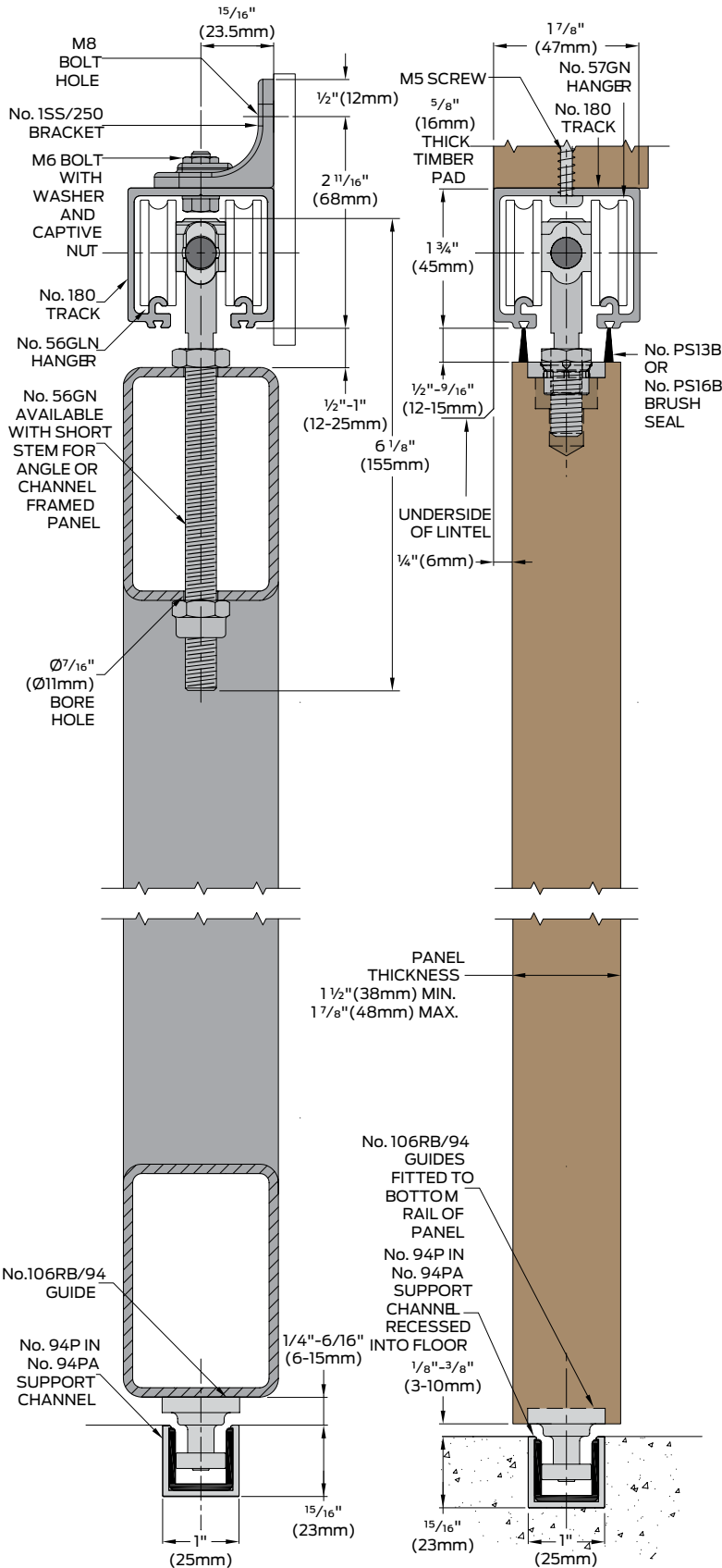
GUIDE OPTION



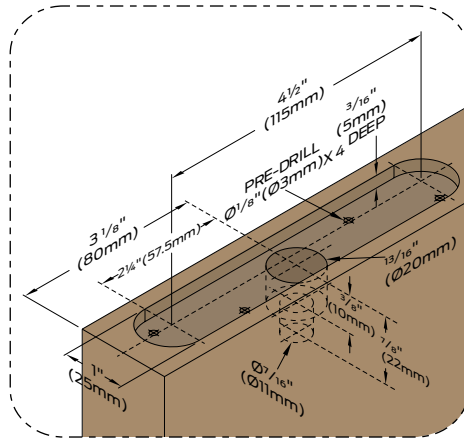
* WHEN USING No. 100SCT SOFT CLOSE CLEARANCE $\frac{7}{8}$ "- $1\frac{1}{8}$ " (22-29mm)

Single Run 180

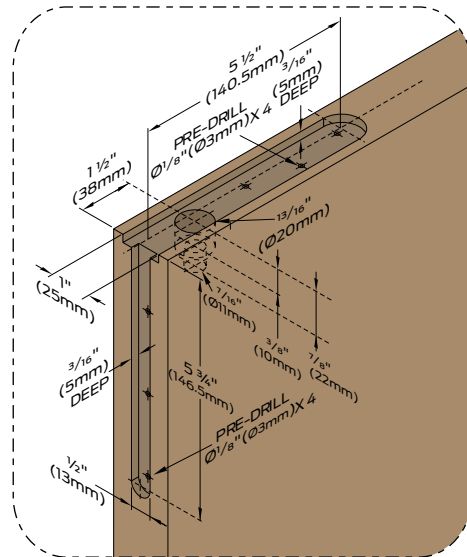
For top hung straight sliding panels, max 395 lbs (180 kg) each



PANEL PREPARATION No. 56GLN HANGER

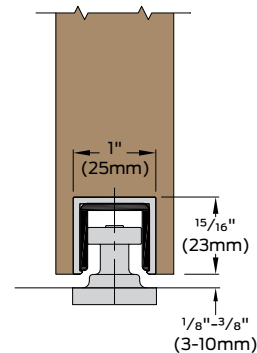


No. 52GN HANGER



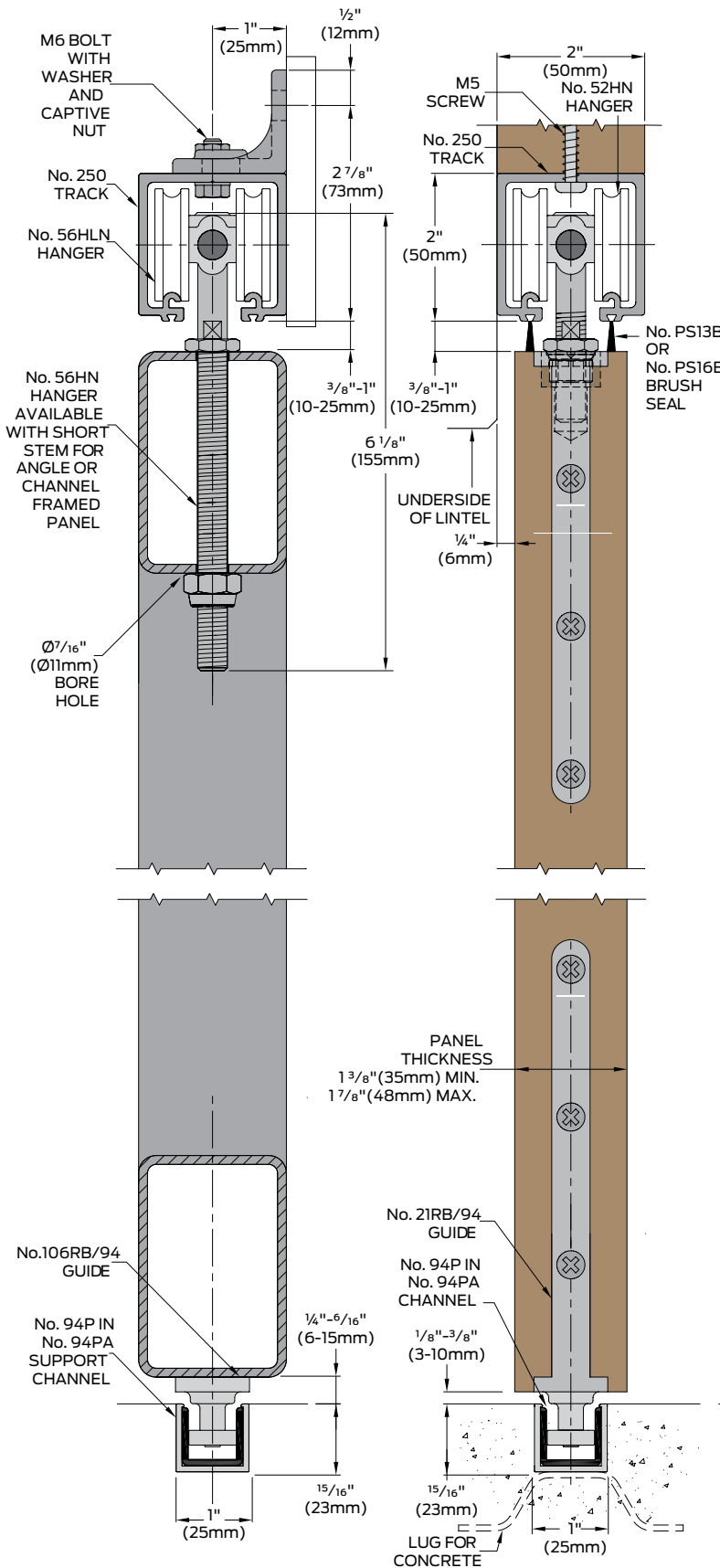
GUIDE SYSTEM

No. 106RB/94 GUIDE FITTED ON FLOOR IN OVERLAP AREA.
No. 94PPA CHANNEL RECESSED INTO PANEL

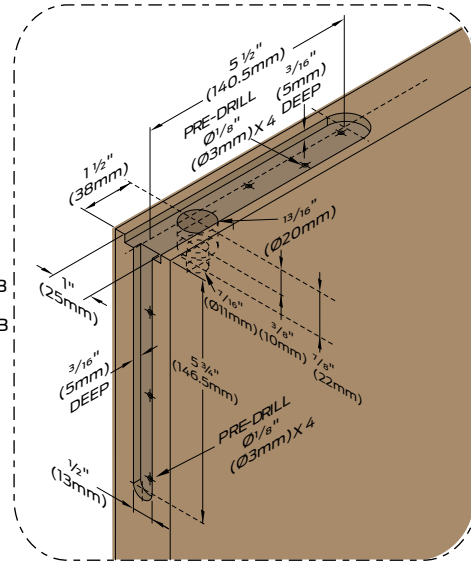


Single Run 350

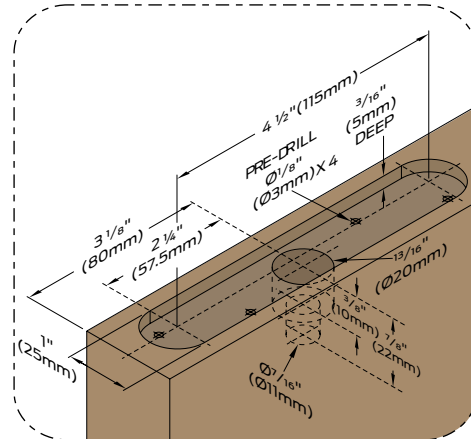
For top hung straight sliding panels, max 770 lbs (350 kg) each



PANEL PREPARATION No. 52HN HANGER



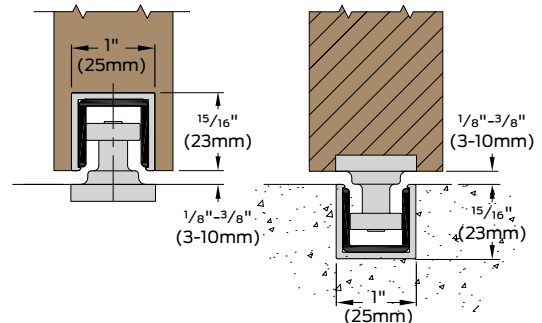
No. 57HN HANGER



GUIDE SYSTEMS

No. 106RB/94 GUIDE FITTED ON FLOOR IN OVERLAP AREA.
No. 94PPA CHANNEL RECESSED INTO PANEL

No. 106RB/94 GUIDES FITTED TO BOTTOM RAIL OF PANEL.
No. 94PPA CHANNEL RECESSED INTO FLOOR



Hangers

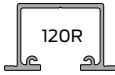
Chrome precision bearing codes shown



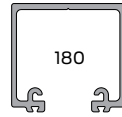
100



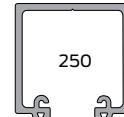
120



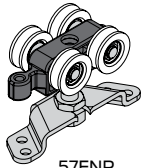
120R



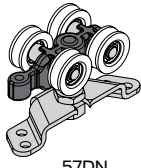
180



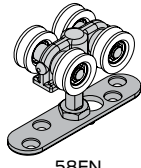
250



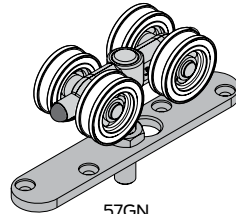
57ENP



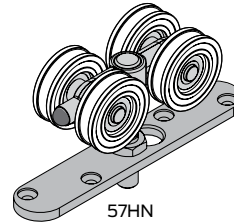
57DN



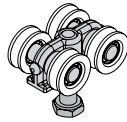
58EN



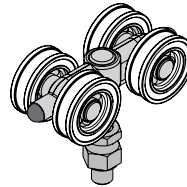
57GN



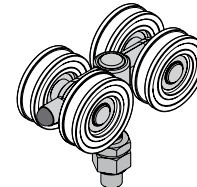
57HN



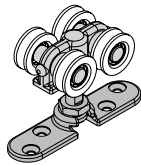
56EN



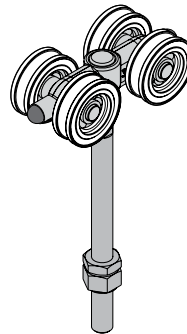
56GN



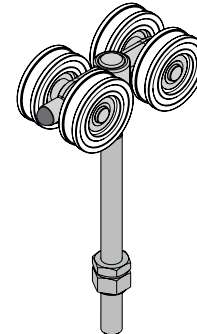
56HN



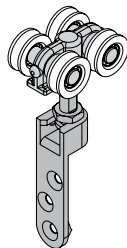
57EN



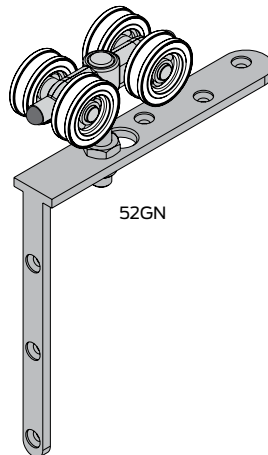
56GLN



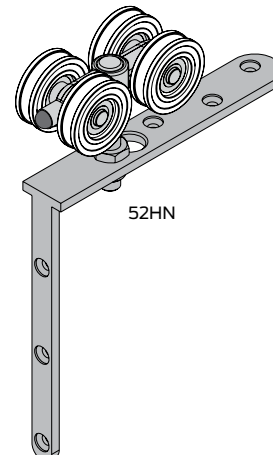
56HLN



50EN



52GN



52HN

Specifications

| Panel specification | 80 | 100 | 120 | 180 | 350 |
|---|---|-----------------------|-----------------------|-----------------------|-----------------------|
| Maximum panel weight | 175 lbs (80 kg) | 220 lbs (100 kg) | 265 lbs (120 kg) | 395 lbs (180 kg) | 770 lbs (350 kg) |
| Maximum panel height | 118 1/8" (3000 mm) | 118 1/8" (3000 mm) | 118 1/8" (3000 mm) | 118 1/8" (3000 mm) | 129 7/8" (3300 mm) |
| Minimum panel thickness | 1 1/8" (28 mm) | 1 1/8" (28 mm) | 3/4" (19 mm) | 1 3/8" (35 mm) | 1 3/8" (35 mm) |
| Brackets | | | | | |
| Single face fix | 91LS | 91LS | 1SS/250 | 1SS/250 | 1SS/250 |
| Double face fix | - | - | 5SS/120 | 5SS/250 | 5SS/250 |
| Door stop | | | | | |
| Clip stop | 100CS | 100CS | - | - | - |
| Door stop | - | - | 120DS | 180DS | 180DS |
| Hangers chrome precision bearing | | | | | |
| For mdf doors - face fitting | - | - | 50EN | - | - |
| For wood doors - plate (flush) | - | - | 58EN | - | - |
| For wood doors - plate (surface) | 57ENP | 57DN | 57EN | 57GN | 57HN |
| For wood doors - angle fitting | - | - | - | 52GN | 52HN |
| For metal doors - plate fitting | - | - | - | 57GN | 57HN |
| For metal doors - angle frame | - | - | 56EN | 56GN | 56HN |
| For metal doors - box frame | - | - | - | 56GLN | 56HLN |
| Hangers stainless steel bearing | | | | | |
| For mdf doors - face fitting | - | - | 50SS/EN | - | - |
| For wood doors - plate (flush) | - | - | 58SS/EN | - | - |
| For wood doors - plate (surface) | 57SS/ENP | 57SS/DN | 57SS/EN | 57SS/GN | 57SS/HN |
| For wood doors - angle fitting | - | - | - | 52SS/GN | 52SS/HN |
| For metal doors - plate fitting | - | - | - | 57SS/GN | 57SS/HN |
| For metal doors - angle frame | - | - | 56SS/EN | 56SS/GN | 56SS/HN |
| For metal doors - box frame | - | - | - | 56SS/GLN | 56SS/HLN |
| Track | | | | | |
| Aluminum track | 100 | 100 | 120 & 120R | 180 | 250 |
| Clear anodizing ¹ | 25 | 25 | 25 & 15 | 25 | 25 |
| Standard lengths | 78 3/4" (2000 mm), 120" (3048 mm), 157 1/2" (4000 mm) & 240" (6096 mm) ² | | | | |
| Guide | | | | | |
| For wood doors - ss plate | 106E/94 | 106E/94 | 106E/94 | 106RB/94 | 106RB/94 |
| For wood doors - ss plate tired bearing | 106SSMF | 106SSMF | 106SSMF | - | - |
| For wood doors - nylon guide | 101N | 101N | 101N | - | - |
| For wood doors - angle fitting | - | - | - | 21RB/94 | 21RB/94 |
| For metal doors - angle frame | - | - | 106E/94 | 106RB/94 | 106RB/94 |
| For metal doors - box frame | - | - | - | 106RB/94 | 106RB/94 |
| Multiple doors | 102W/94SS | 102W/94SS | 102W/94SS | 102W/94SS | 102W/94SS |
| Channel | | | | | |
| Aluminum track | 94A | 94A | 94A | 94A | 94A |
| Brass | 94B | 94B | 94B | 94B | 94B |
| Polypropylene | 94P | 94P | 94P | 94P | 94P |
| Aluminum and polypropylene | 94PPA | 94PPA | 94PPA | 94PPA | 94PPA |
| Aluminum track (106ssmf) | 96W | 96W | 96W | 96W | 96W |
| Standard lengths | 78 3/4" (2000 mm), 120" (3048 mm), 157 1/2" (4000 mm) & 240" (6096 mm) ² | | | | |
| Accessories | | | | | |
| Interlock 189" (4.8M) clear anodized | 924-CA48 | 924-CA48 | 924-CA48 | 924-CA48 | 924-CA48 |
| Interlock 189" (4.8M) black anodized | 924-BK48 | 924-BK48 | 924-BK48 | 924-BK48 | 924-BK48 |
| Interlock 189" (4.8M) bronze anodized | 924-BZ48 | 924-BZ48 | 924-BZ48 | 924-BZ48 | 924-BZ48 |
| Soft close | 100SCT | 100SCT | - | - | - |

¹ 25 equals Architectural Class I, 15 equals Architectural Class II

² Standard lengths are available on all models





Single Run

Zero Clearance

Open Rail

Zero Clearance

Top hung straight sliding architectural systems for panels up to 770 lbs (350kg)

Zero Clearance Glass

80, 100 and 120
(Panels up to 175, 220 and 265 lbs)

Open plan interiors allow daylight to flood rooms, which would otherwise be limited to only dull ambient or harsh task lighting in homes and offices. Privacy and acoustic insulation are important in many day to day activities, which is why Brio's Zero Clearance Glass provides the perfect balance of open plan benefits with the practicalities of room dividers.

Glass panels bring a new dimension to minimalism, which is accentuated with our virtually invisible $\frac{1}{8}$ " (2.5 mm) clearance between glazing rail and track. The clean lines achieved by concealed hardware and low profile glazing rail allow the panel to appear as if suspended between floor and ceiling.

180
(Panels up to 395 lbs)

For larger applications where panels need to move effortlessly, use our higher rated Brio Zero Clearance Glass to encapsulate a space or to expand a room. Whether open or closed, glass panels are unobtrusive and allow life to flow in all environments.

An adjustable guide and versatile fittings allow $\frac{3}{8}$ " and $\frac{1}{2}$ " (10 mm and 12 mm) tempered glass panels to be accommodated by the same hardware for up to 395 lbs (180 kg).

Note: The Soft Close is available for Zero Clearance 80 and 100 and Single run 80 and 100 systems. See page 7 for more detail.



Joinery by Nicco Joinery, Built by Horizon Habitats and
 Photography by Karl Beath



Zero Clearance Wood

80, 100 and 120
(Panels up to 175, 220 and 265 lbs)

When screened privacy or the desire for a visually impactful panel is preferred, Brio Zero Clearance Wood can create flexible office and living spaces.

The new Brio 120R track allows a seamless application in commercial office and retail fit-outs as the extruded track has side rails, which support and dress the edge of ceiling tiles.

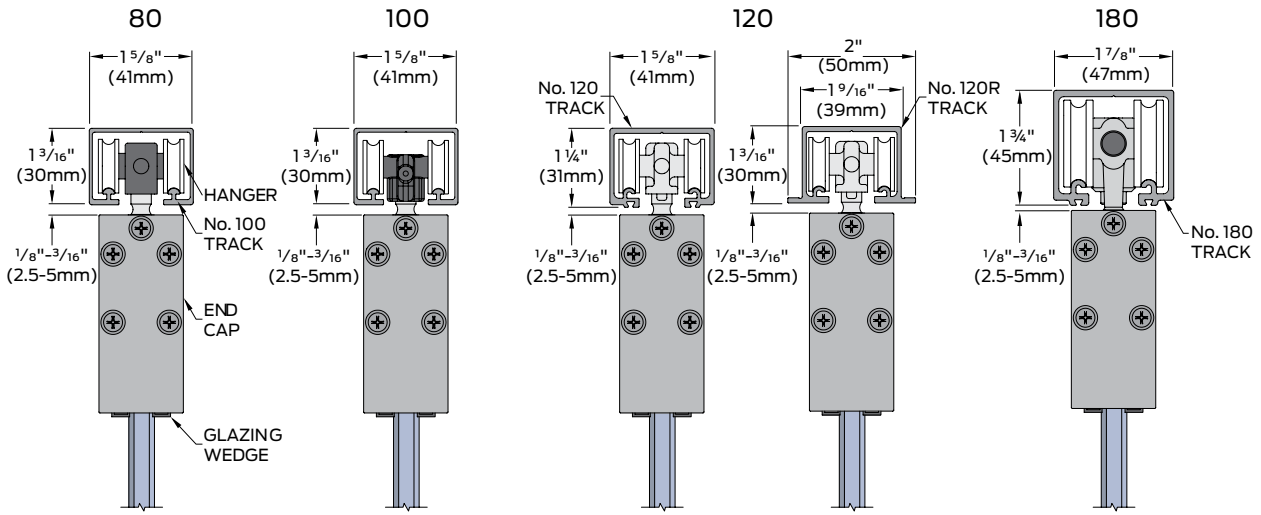
180 and 350
(Panels up to 395 and 770 lbs)

If sliding an access door, a room dividing wall, or even artwork, Brio Zero Clearance Wood will work smoothly. Panels can reach an impressive 129 ⁷/₈" (3.3 m) high and 2.5 m (98 ³/₈") wide while appearing to float between floor and ceiling.

For applications up to 770 lbs (350 kg), concealed hardware achieves clearances of ¹/₈" (2.5 mm) between track and panel. The comprehensive Brio range of bottom channels and guides provides several options to extend the minimal zero clearance effect.

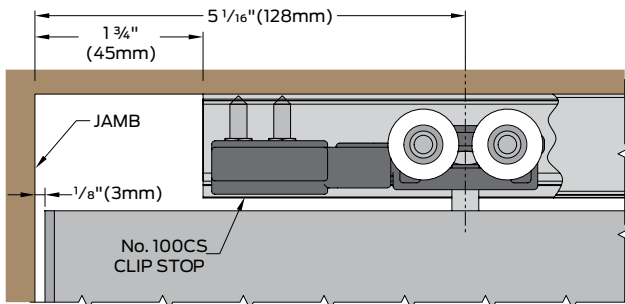
Note: The Soft Close is available for Zero Clearance 80 and 100 and Single run 80 and 100 systems. See page 7 for more detail.

Zero Clearance – Glass

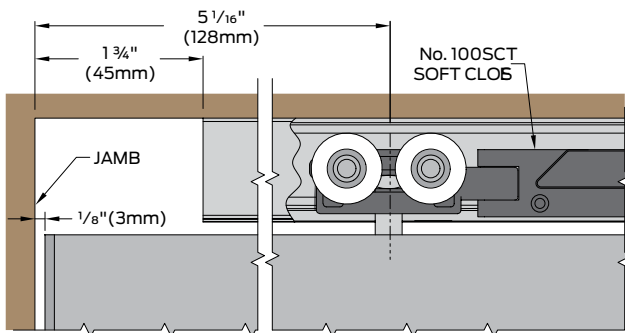


TRACK FIXING CENTERS

$1\frac{3}{16}$ " (20mm) FROM EACH END, 15 $\frac{3}{4}$ " (400mm) MAXIMUM SPACINGS



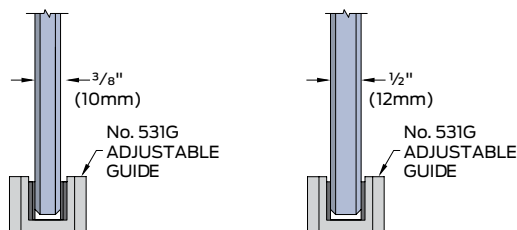
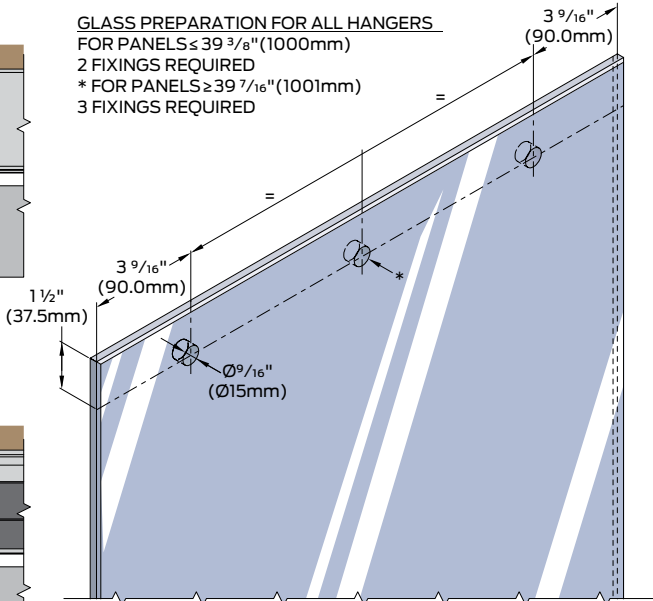
ZERO CLEARANCE GLASS 80 SYSTEM WITH CLIP STOP SHOWN



ZERO CLEARANCE GLASS 80 SYSTEM WITH SOFT CLOSE SHOWN

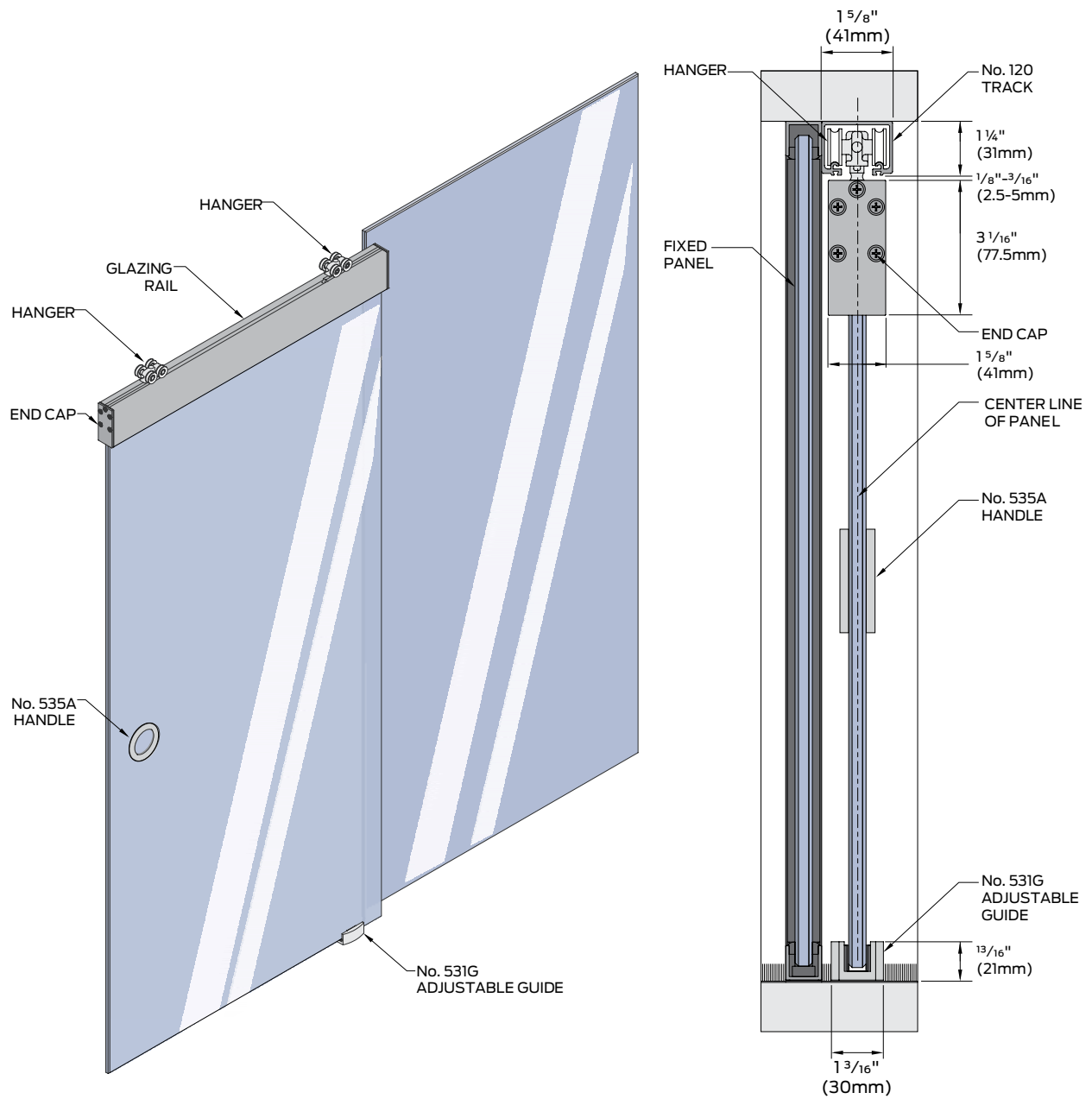
GLASS PREPARATION FOR ALL HANGERS

- FOR PANELS $\leq 39\frac{3}{8}$ " (1000mm) 2 FIXINGS REQUIRED
- * FOR PANELS $\geq 39\frac{7}{16}$ " (1001mm) 3 FIXINGS REQUIRED

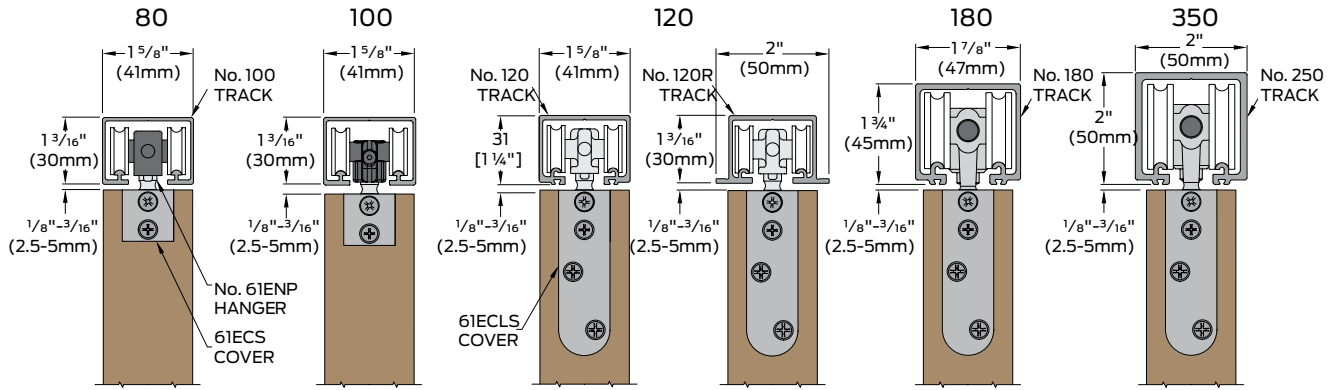


Zero Clearance Glass Fixed Panel Application

120 Series shown

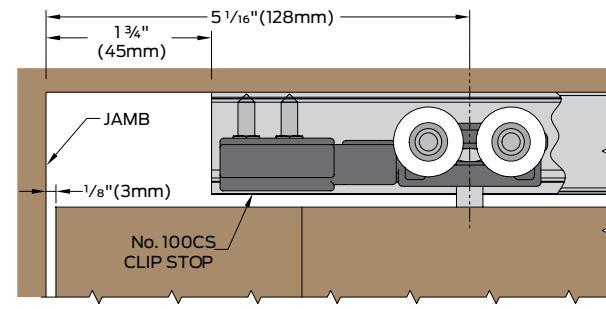


Zero Clearance – Wood

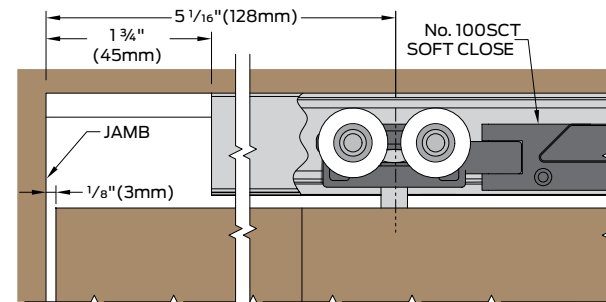


TRACK FIXING CENTERS

1 3/16" (20mm) FROM EACH END, 15 3/4" (400mm) MAXIMUM SPACINGS

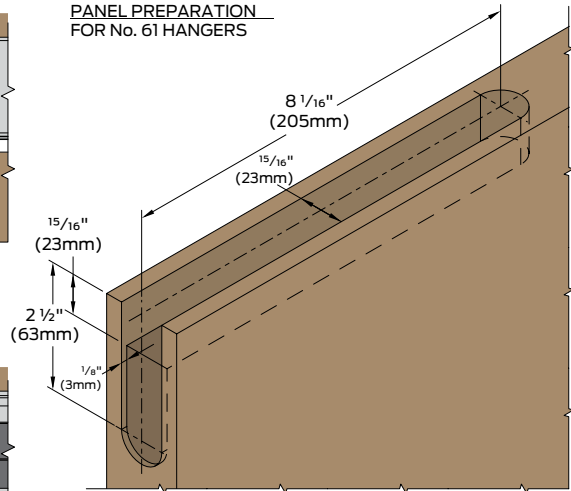


ZERO CLEARANCE WOOD 80 SYSTEM WITH CLIP STOP SHOWN

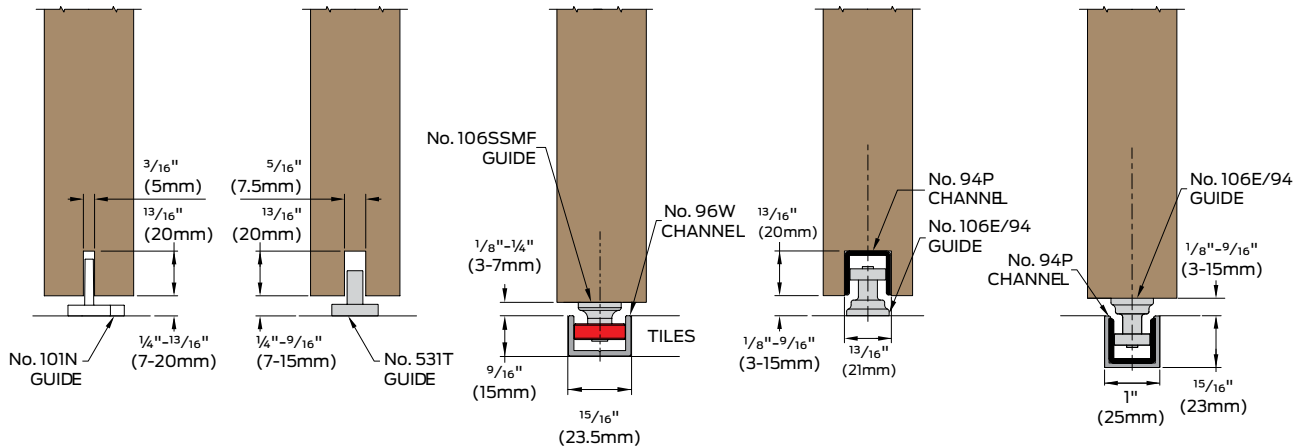


ZERO CLEARANCE WOOD 80 SYSTEM WITH SOFT CLOSE SHOWN

PANEL PREPARATION FOR No. 61 HANGERS

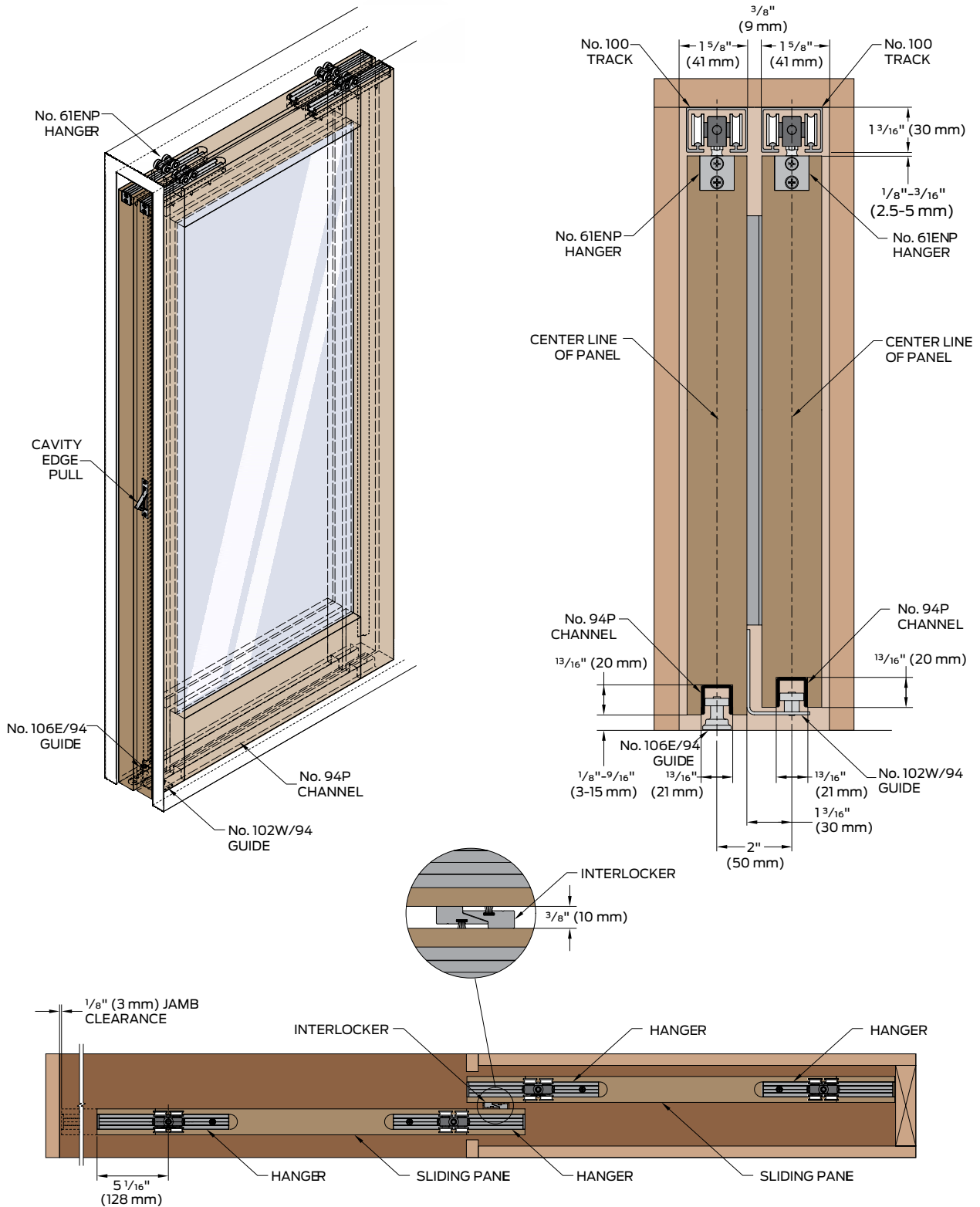


GUIDE OPTIONS



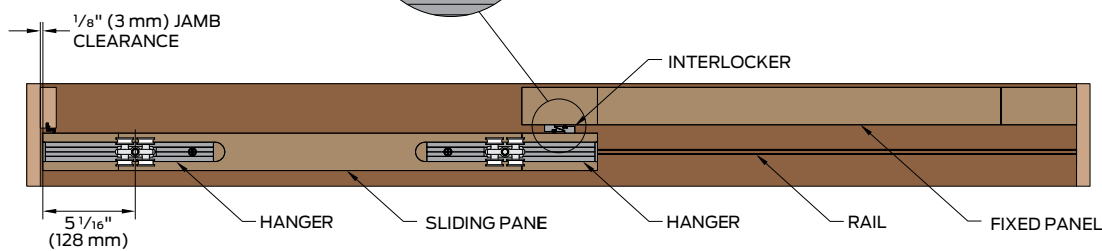
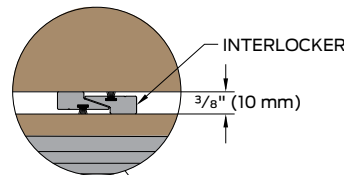
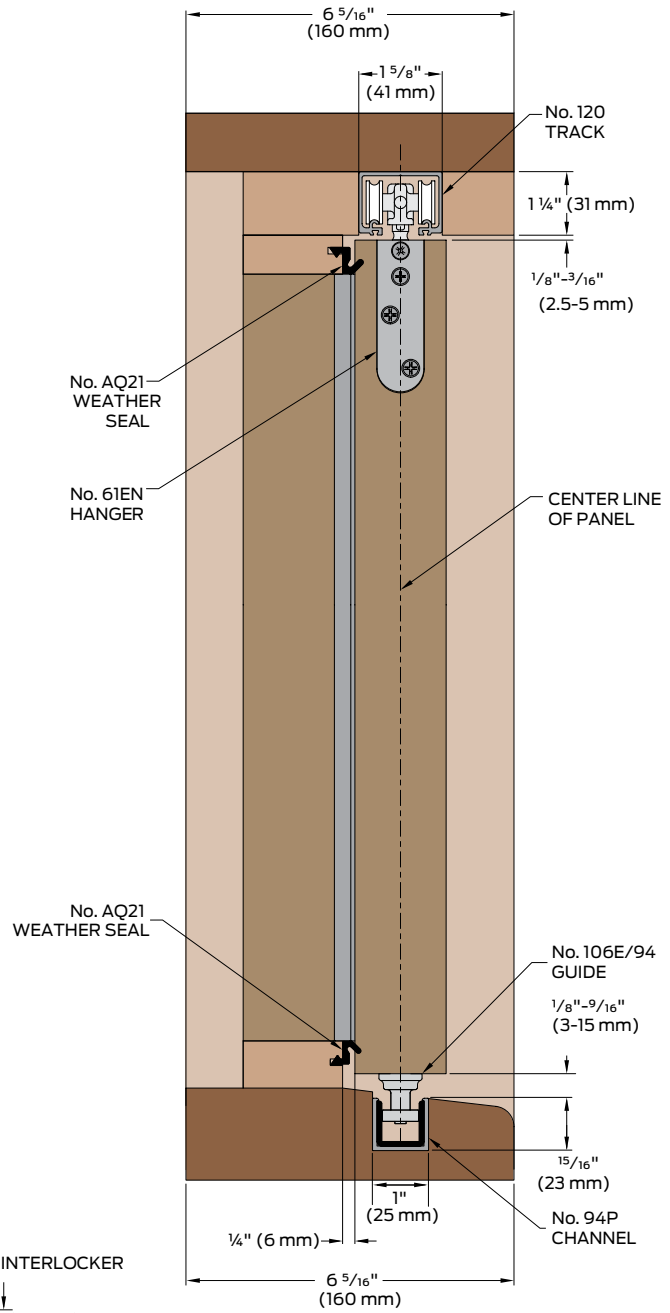
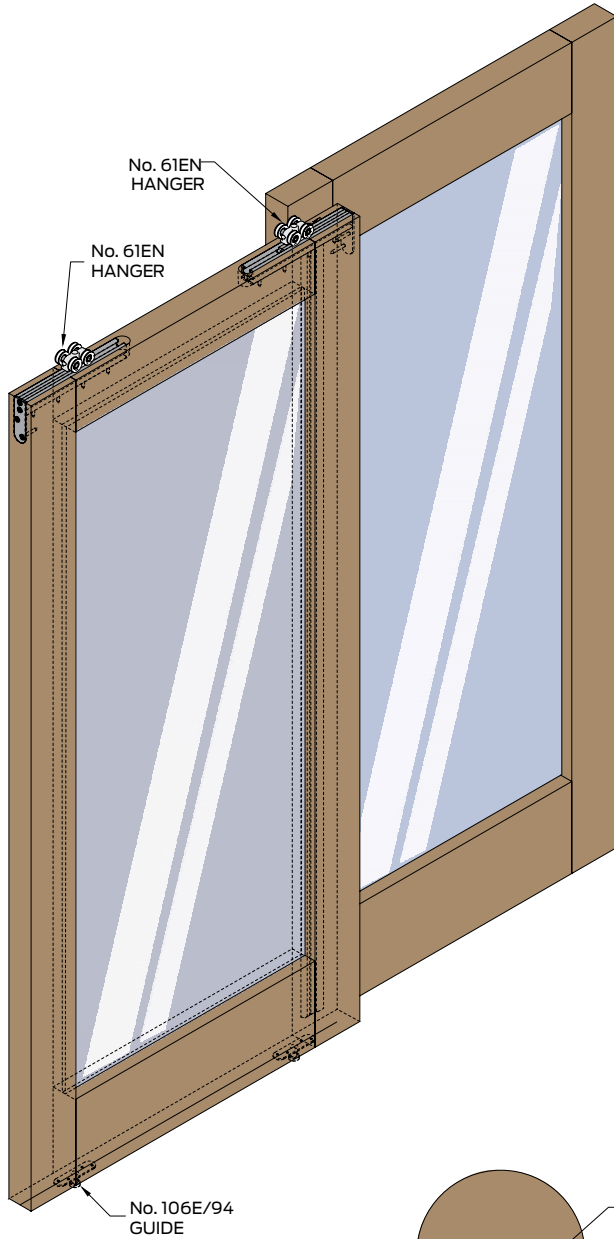
Zero Clearance Wood Concealed Panel Application

80 Series shown



Zero Clearance Wood Fixed Panel External Application

120 Series shown



Specifications

| Zero Clearance Glass | | | | | |
|---|---|--------------------|--------------------|--------------------|--------------------|
| Panel specification | 80 | 100 | 120 | 180 | |
| Maximum panel weight | 175 lbs (80 kg) | 220 lbs (100 kg) | 265 lbs (120 kg) | 395 lbs (180 kg) | |
| Maximum panel height | 118 1/8" (3000 mm) | 118 1/8" (3000 mm) | 118 1/8" (3000 mm) | 118 1/8" (3000 mm) | |
| Maximum panel width | 59" (1500 mm) | 59" (1500 mm) | 59" (1500 mm) | 59" (1500 mm) | |
| Maximum panel thickness | 1/2" (12 mm) | 1/2" (12 mm) | 1/2" (12 mm) | 1/2" (12 mm) | |
| Minimum panel thickness | 3/8" (10 mm) | 3/8" (10 mm) | 3/8" (10 mm) | 3/8" (10 mm) | |
| Pack includes 2 hangers, door stops, glazing rail, glazing bead, guide 531G, handle 535A and fixings | | | | | |
| Single panel ≤ 1200mm (47 1/4") wide | ZG80-12/1 | ZG100-12/1 | ZG120-12/1 | ZG180-12/1 | |
| Single panel ≤ 1500mm (59") wide | ZG80-15/1 | ZG100-15/1 | ZG120-15/1 | ZG180-15/1 | |
| Track | | | | | |
| Aluminum track | 100 | 100 | 120 & 120R | 180 | |
| Clear anodizing ¹ | 25 | 25 | 25 & 15 | 25 | |
| Standard lengths | 78 3/4" (2000 mm), 120" (3048 mm), 157 1/2" (4000 mm) & 240" (6096 mm) ² | | | | |
| Guide | | | | | |
| Stainless steel adjustable guide | 531G | 531G | 531G | 531G | |
| Accessories | | | | | |
| Stainless steel adhesive handle | 535A | 535A | 535A | 535A | |
| Stainless steel glass handle | 535G | 535G | 535G | 535G | |
| Soft close | 100SCT | 100SCT | - | - | |
| Zero Clearance Wood | | | | | |
| Panel specification | 80 | 100 | 120 | 180 | 350 |
| Maximum panel weight | 175 lbs (80 kg) | 220 lbs (100 kg) | 265 lbs (120 kg) | 395 lbs (180 kg) | 350 kg (770 lbs) |
| Maximum panel height | 118 1/8" (3000 mm) | 118 1/8" (3000 mm) | 118 1/8" (3000 mm) | 118 1/8" (3000 mm) | 118 1/8" (3000 mm) |
| Minimum panel thickness | 1 1/4" (32 mm) | 1 1/4" (32 mm) | 1 1/4" (32 mm) | 1 9/16" (40 mm) | 1 9/16" (40 mm) |
| Door stop | | | | | |
| Clip stop | 100CS | 100CS | - | - | - |
| Door stop | - | - | 120DS | 180DS | 180DS |
| Hangers | | | | | |
| Stainless steel precision bearings | 61SS/ENP | 61SS/DN | 61SS/EN | 61SS/GN | 61SS/HN |
| Chrome precision bearings | 61ENP | 61DN | 61EN | 61GN | 61HN |
| Track | | | | | |
| Aluminum track | 100 | 100 | 120 & 120R | 180 | 250 |
| Clear anodizing ¹ | 25 | 25 | 25 & 15 | 25 | 25 |
| Standard lengths | 78 3/4" (2000 mm), 120" (3048 mm), 157 1/2" (4000 mm) & 240" (6096 mm) ² | | | | |
| Guide | | | | | |
| Sawcut guide | 101N | 101N | 101N | 101N | 101N |
| Stainless steel sawcut guide | 531T | 531T | 531T | 531T | 531T |
| Stainless precision bearing | 106E/94 | 106E/94 | 106E/94 | 106E/94 | 106E/94 |
| Stainless precision bearing - double door | 102W/94SS | 102W/94SS | 102W/94SS | 102W/94SS | 102W/94SS |
| Channel | | | | | |
| Polypropylene (for 106e/94) | 94P | 94P | 94P | 94P | 94P |
| Anodized aluminum and polypropylene (for 106e/94) | 94PPA | 94PPA | 94PPA | 94PPA | 94PPA |
| Standard lengths | 78 3/4" (2000 mm), 120" (3048 mm), 157 1/2" (4000 mm) & 240" (6096 mm) ² | | | | |
| Accessories | | | | | |
| Stainless steel wood handle | 535T | 535T | 535T | 535T | 535T |
| Soft close | 100SCT | 100SCT | - | - | - |

¹ 25 equals Architectural Class I, 15 equals Architectural Class II

² Standard lengths are available on all models





Single Run

Zero Clearance

Open Rail

Open Rail

Top hung straight sliding architectural systems for panels up to 330 lbs (150kg)

Single Run

Zero Clearance

Open Rail



Open Flat Bar Rail – Wood

Brio's new flat bar system for their open rail range offers a barn door solution for panels up to 175 lbs (80 kg) in weight and 49 1/4" (1.25 m) in width. This easy to install system uses a precision bearing and nylon tire, which rolls smoothly over a flat bar rail. The face fix straps and rail are available in stainless steel with a brushed satin finish or in mild steel with a textured, matte black powder coat.

Standard kits include length of rail, hangers, door stops, and guide for single panel applications. A joining bracket is available to dress bi-parting applications where two door systems are used.



Single Run

Zero Clearance

Open Rail

Single Run

Zero Clearance

Open Rail





Open Round Rail – Wood Face Fix

Brio's Open Round Rail system offers face fix hangers for wood panels $1\frac{9}{16}$ " (40 mm) thick and up to 220 lbs (100 kg) in capacity. The 304 stainless steel rollers utilize a sealed precision bearing with inlaid tire, which runs on a stainless steel, round rail. This centralizes the panel and conceals the support brackets.

Open Round Rail Wood and Glass systems are available in PVD black finish or brushed stainless steel. PVD black offers a contemporary aesthetic without introducing the risk of finish deterioration like powder coat can.

These systems are supplied with heavy duty door stops, but can also operate with our soft stop accessory for either the left or right hand side of the opening. The soft stop performs as a damper, which absorbs momentum of the door to produce a softer and quieter operation when opening or closing the panel.

Open Round Rail – Wood Top Fix

With easy installation and exposed rail design, the versatile top fix system is suitable for wood panels in the home or office. Our sealed precision bearing and nylon inlaid tire ensures the 304 stainless steel rollers will operate smoothly and quietly for years to come.

An array of bottom guide options make the Brio Open Round Rail Wood systems suitable for any application for panels up to 220 lbs (100 kg). Open Rail Wood guide options are shown on page 39.





Single Run

Zero Clearance

Open Rail

Single Run

Zero Clearance

Open Rail



Open Round Rail – Glass

Frameless glass panels create a timeless style suited to today's minimalist trend. Whether in an office space or bathroom suite, Brio's Open Round Rail Glass will enhance a minimalist appearance with 304 stainless steel strap fixings and exposed rail design. The soft stop accessory and PVD black finish are also available, making this system even more desirable.

The universal stainless steel guide is suitable for tempered glass panels of $\frac{5}{16}$ ", $\frac{3}{8}$ " and $\frac{1}{2}$ " (8, 10 and 12 mm) thick, up to a capacity of 220 lbs (100 kg). The stainless steel round rail and sealed precision bearing with nylon inlaid tire will perform effortlessly every time.

Open Square Rail – Wood

The heavy duty industrial appearance of the Brio Open Square Rail Wood will suit any contemporary interior and with capacity of 330 lbs (150 kg) and panels at $78 \frac{3}{4}$ " (2 m) wide. Exposed precision bearings and 304 stainless steel strap fixings offer a unique industrial aesthetic, which is in high demand for residential and commercial applications. The Open Square Rail Wood system is also available in PVD Black, making it a true stand out product.

Multiple guide options allow these large panels to operate with or without a floor channel and so interiors are enhanced with uninterrupted flooring. Long life cycle and quality performance are assured with this robust system whether used in a rustic interior or modern workplace.



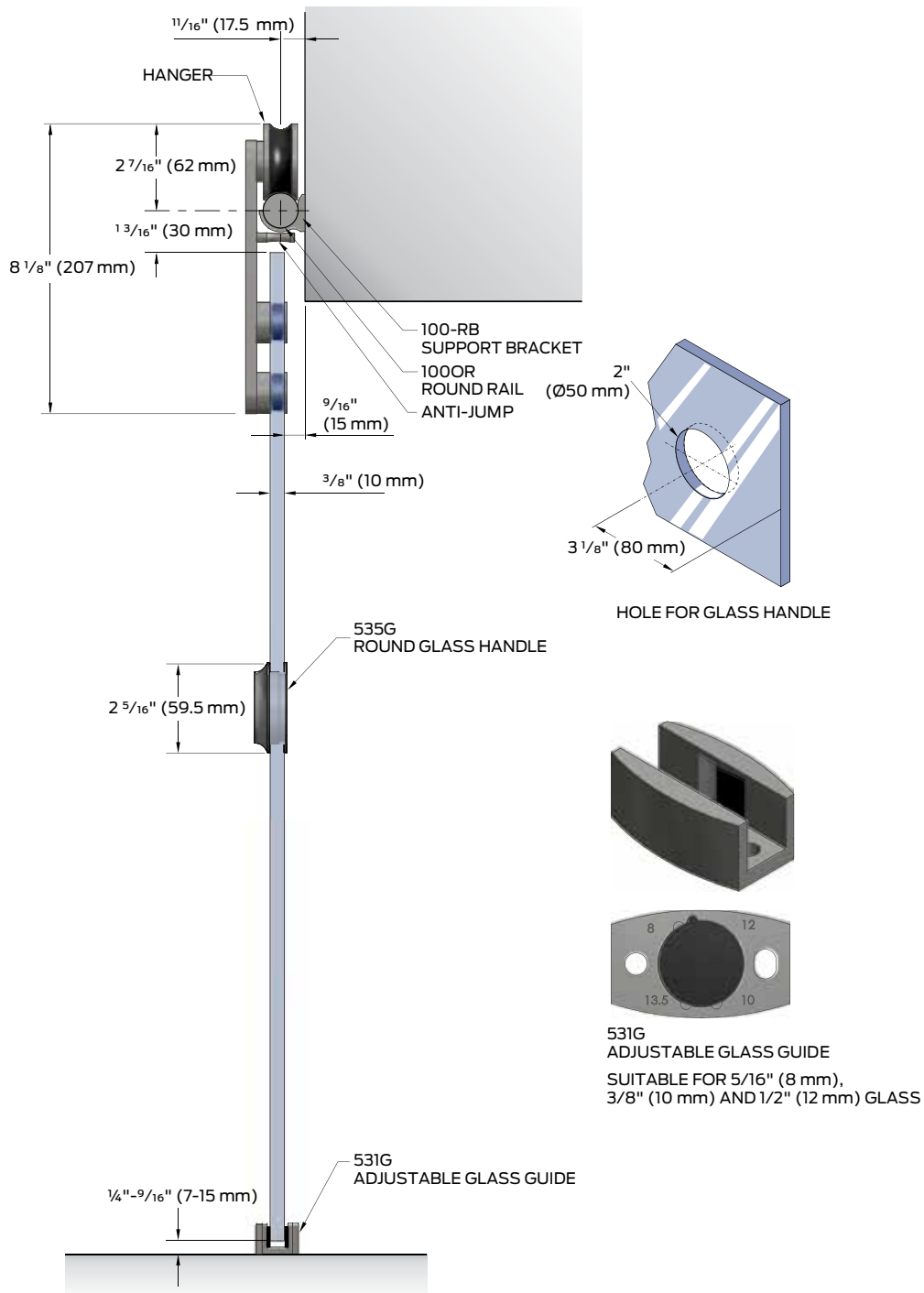
Open Round Rail – Glass

ORG100 Pack Shown

Single Run

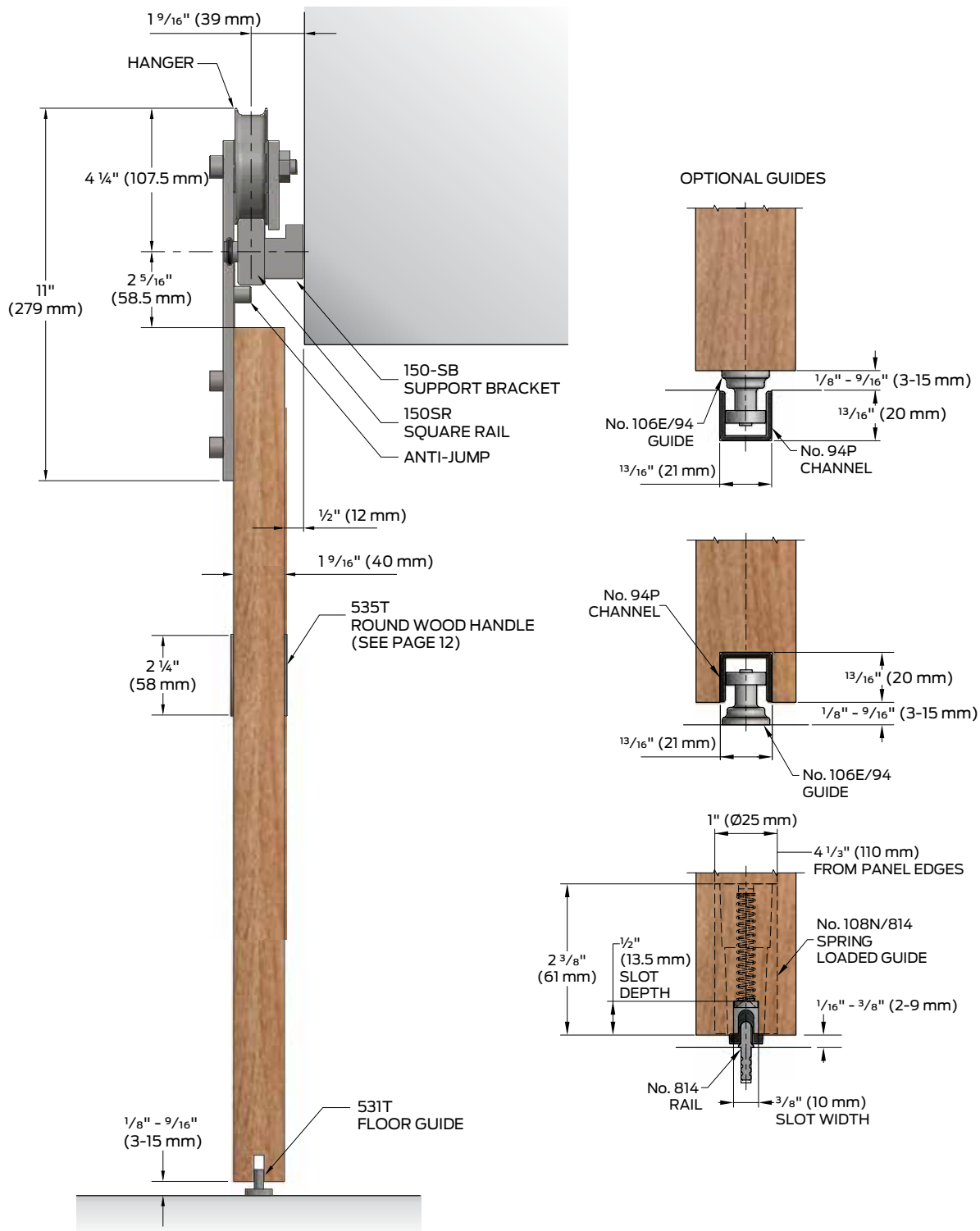
Zero Clearance

Open Rail



Open Square Rail – Wood

OST150 Pack Shown



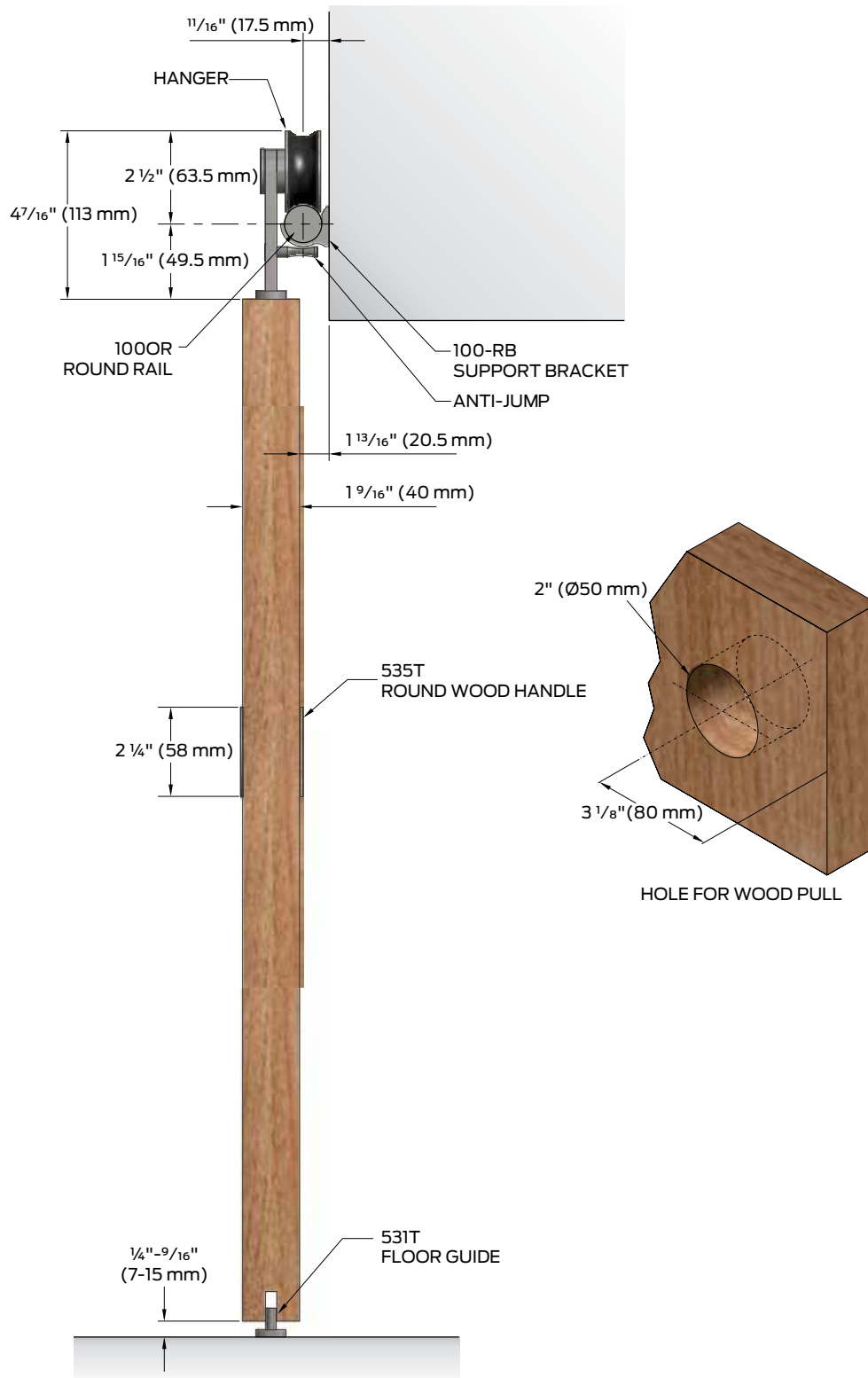
Open Round Rail – Wood Top Fix

ORT100 Pack Shown

Single Run

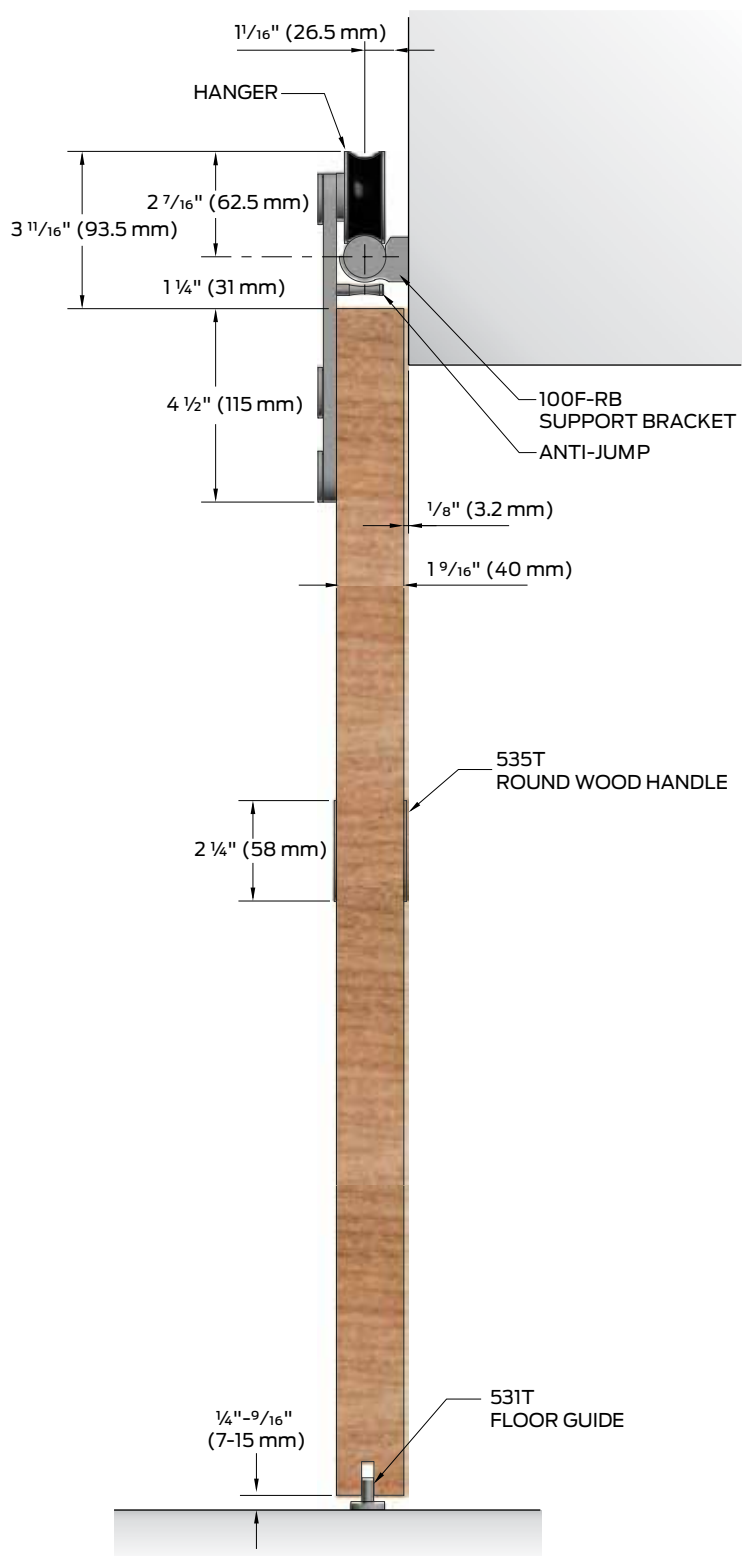
Zero Clearance

Open Rail



Open Round Rail – Wood Face Fix

ORF100 Pack Shown



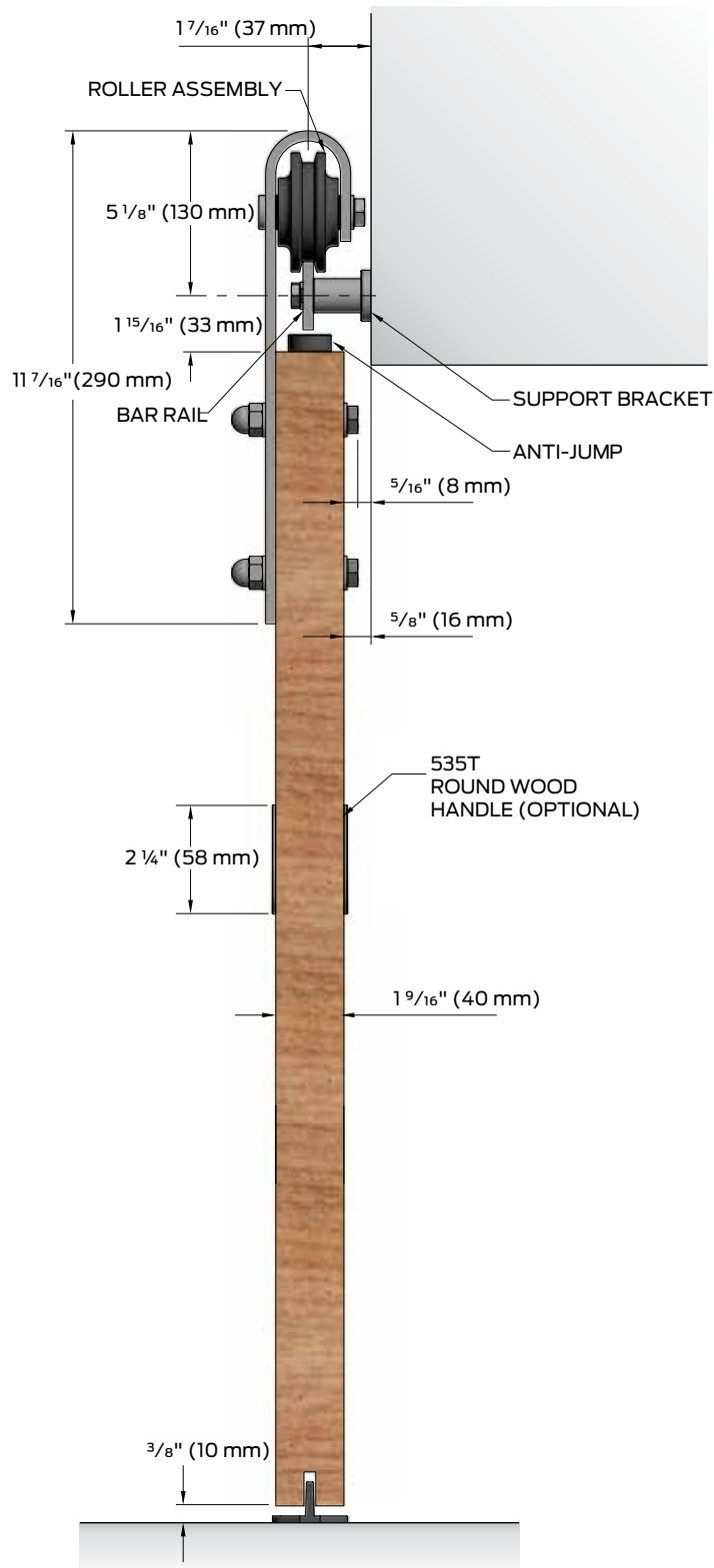
Open Flat Bar Rail – Wood

OBF80 Pack Shown

Single Run

Zero Clearance

Open Rail



Specifications

| Open bar rail | | | |
|--|------------------------|-------------------------------|--|
| Panel specification | | | |
| Maximum panel weight | 175 lbs (80 kg) | | |
| Maximum panel height | 118 1/8" (3000 mm) | | |
| Maximum panel width | 49 1/4" (1250 mm) | | |
| Maximum panel thickness | 1 3/4" (44 mm) | | |
| Minimum panel weight | 1 3/8" (35 mm) | | |
| Pack sets¹ | Stainless steel | Mild steel powder coat | |
| 78 3/4" (2000mm) length (panel ≤ 39 3/8" (1000mm)) | OBF80-20 | OBF80-20PB | |
| 98 3/8" (2500mm) length (panel ≤ 49 1/4" (1250mm)) | OBF80-25 | OBF80-25PB | |
| Accessories | | | |
| Joining bracket | 80B-JB | 80B-JBPB | |
| Open round and square rail | | | |
| Panel specification | Glass | Wood | |
| Maximum panel weight | 220 lbs (100 kg) | 330 lbs (150 kg) | |
| Maximum panel height | 118 1/8" (3000 mm) | 118 1/8" (3000 mm) | |
| Maximum panel width | 78 3/4" (2000 mm) | 78 3/4" (2000 mm) | |
| Maximum panel thickness | 1/2" (12 mm) | 1 3/4" (44 mm) | |
| Minimum panel weight | 5/16" (8 mm) | 1 3/8" (35 mm) | |
| Pack sets² | | | |
| Single panel for round rail face fix | ORG100 | ORG100PR | ORF100 ORF100PR |
| Single panel for round rail top fix | – | | ORT100 ORT100PR |
| Single panel for square rail | – | | OST150 OST150PR |
| Optional guides | | | |
| Stainless precision bearing | – | | 106E/94 |
| Nylon spring loaded guide | – | | 108N/814 |
| Channel for optional guides | | | |
| Polypropylene (for 106e/94) | – | | 94P |
| Anodized aluminum support and polypropylene | – | | 94PPA |
| Anodized aluminum rail (for 108n/814) | – | | 814 |
| Standard lengths | – | | 78 3/4" (2000 mm), 120" (3048 mm), 157 1/2" (4000 mm) & 240" (6096 mm) |
| Rail | Round | Square | |
| 78 3/4" (2000mm) stainless steel | 100OR-20 | 100OR-20PR | 150SR-20 150SR-20PR |
| 98 3/8" (2500mm) stainless steel | 100OR-25 | 100OR-25PR | 150SR-25 150SR-25PR |
| 118 1/8" (3000mm) stainless steel | 100OR-30 | 100OR-30PR | 150SR-30 150SR-30PR |
| 157 1/2" (4000mm) stainless steel | 100OR-40 | | 150SR-40 |
| Soft stop | | | |
| Left hand side | 100-LS | 100-LSPR | – |
| Right hand side | 100-RS | 100-RSPR | – |
| Support bracket³ | | | |
| Glass 100 and wood top fix 100 | 100-RB | 100-RBPR | – |
| Wood face fix 100 | 100F-RB | 100F-RBPR | – |
| Wood face fix 150 | – | | 150-SB 150-SBPR |

PR indicates PVD black finish

¹Pack sets include rail, 2 hangers, doorstops, guide, brackets and fixings
²Pack sets include 2 hangers, doorstops, guide, handle, brackets and fixings
³1 support bracket required per additional 19 3/4" (500 mm) on rails longer than 78 3/4" (2000 mm)

About Allegion

Allegion (NYSE: ALLE) is a global pioneer in safety and security, with leading brands like CISA®, Interflex®, LCN®, Schlage®, SimonsVoss® and Von Duprin®. Focusing on security around the door and adjacent areas, Allegion produces a range of solutions for homes, businesses, schools and other institutions. Allegion is a \$2 billion company, with products sold in almost 130 countries.

For more, visit www.allegion.com

aptiQ ■ LCN ■ **SCHLAGE** ■ STEELCRAFT ■ VON DUPRIN