



# EL1490

# FALCON®

## ININST.1019

Panic Exit Device Baseplate Retrofit

Installation Instructions

(For EL1590 applications, see opposite side of instruction sheet)

### Parts List

#### Left Hand Reverse Right Hand Reverse

##### Kit.1011

Baseplate assembly for: 36" and 42" device

##### Kit.1013

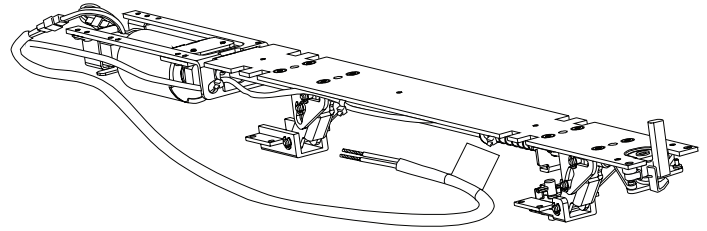
Baseplate assembly for: 48" device

##### Kit.1010

Baseplate assembly for: 36" and 42" device

##### Kit.1012

Baseplate assembly for: 48" device



1490 EL Baseplate assembly

### Notes

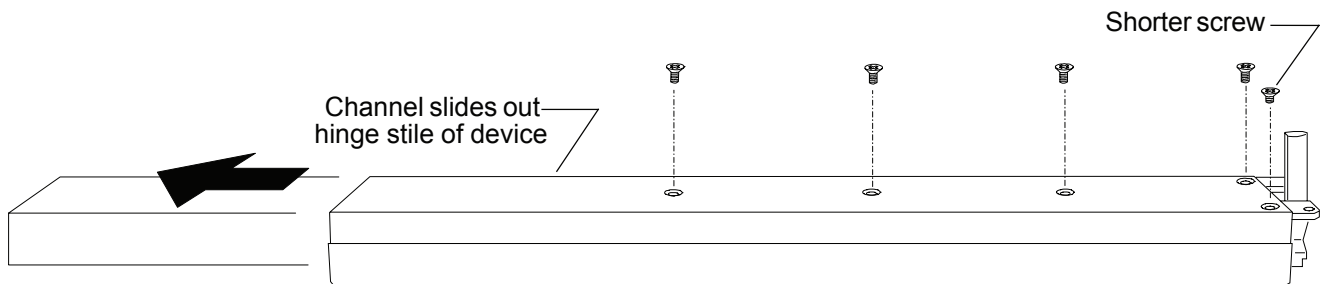
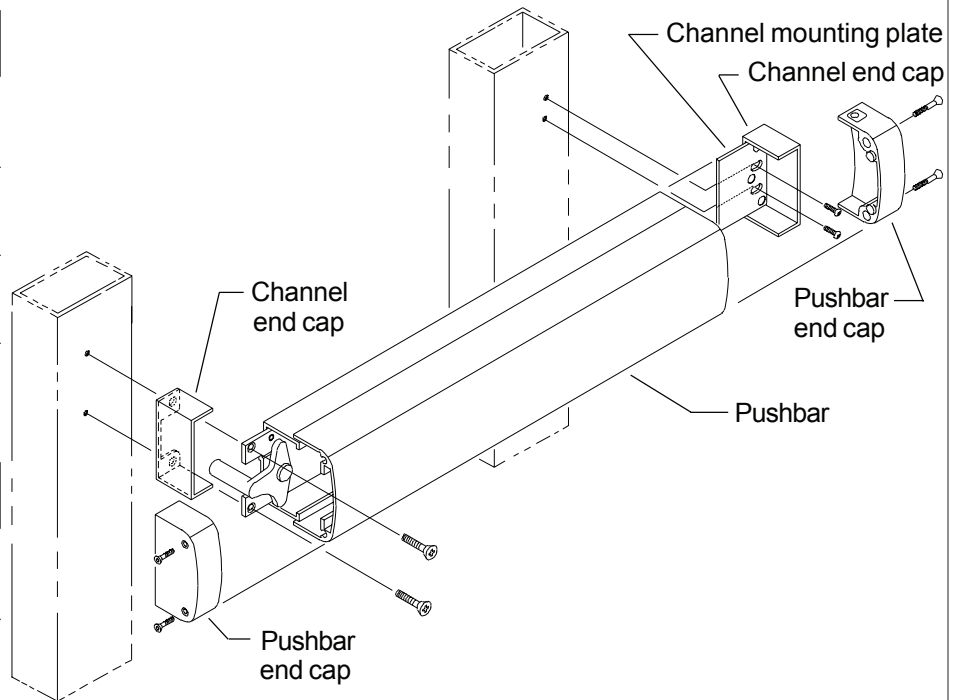
- Verify length and handing of new baseplate assembly matches old baseplate assembly before proceeding with disassembly.
- If the device you are replacing has been cut to a non-standard length, refer to device instruction for cut length to determine if new retrofit baseplate assembly will fit (new baseplate may be slightly longer than old baseplate).
- If existing application, disconnect power source before working on device.
- Consult factory if you are attempting to retrofit 1490 device that originally was not electrified.

#### 1 Remove device from door

- 1a Remove pushbar end cap on hinge stile.
- 1b Loosen two mounting screws on channel mounting plate.
- 1c Remove pushbar end cap on lock stile.
- 1d Remove two mounting screws on lock stile and remove device from door.

#### 2 Remove channel from old baseplate

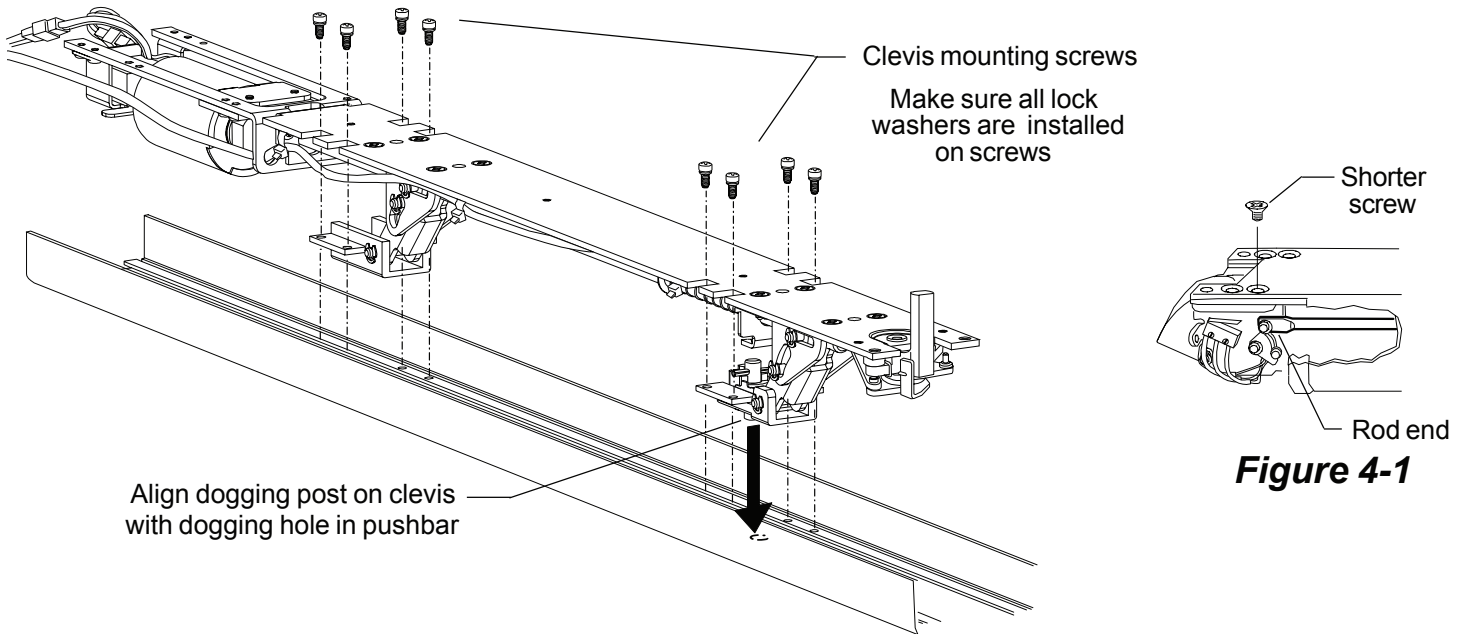
- 2a Place pushbar face down on non-marring surface.
- 2b Remove five exposed screws (one shorter) from back of channel.
- 2c Slide channel from device.



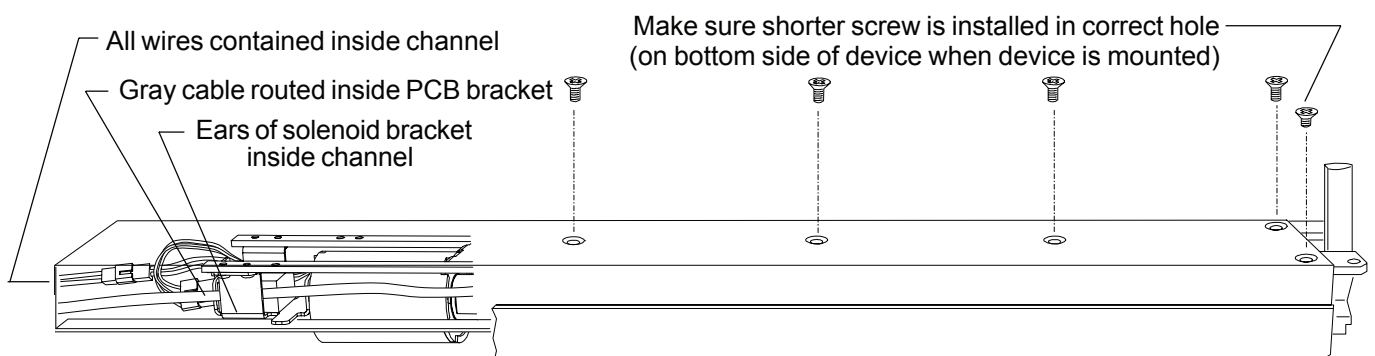
### 3 Remove pushbar and replace on new baseplate assembly

- 3a Remove eight clevis mounting screws using a magnetized #2 phillips screwdriver.
- 3b Remove old baseplate assembly from pushbar.  
Verify length (clevis to clevis) of old baseplate assembly matches new one.
- 3c Place new baseplate assembly on pushbar.
- 3d Align dogging post on clevis with dogging hole in pushbar.
- 3e Install eight clevis mounting screws using a magnetized #2 phillips screwdriver.

### 4 Reinstall channel



- 4a Slide channel onto new baseplate assembly.
- 4b Verify that wires and ears stay inside channel (see picture).
- 4c Install five channel mounting screws (1 screw shorter than the others).
- 4d Verify pushbar moves up and down freely without binding. If binds, check that:
- Short channel screw is in correct position.
  - All wires are routed inside channel.
  - Ears of solenoid bracket are inside channel.



### 5 Reinstall Device

See device instructions for wiring and installation. For old applications wire size to the power supply may need to be increased. Solenoid wiring must be 12 AWG, 200 feet maximum, between power supply and EL device.

# EL1590

Panic Exit Device Baseplate Retrofit

Installation Instructions

(For EL1490 applications, see opposite side of instruction sheet)

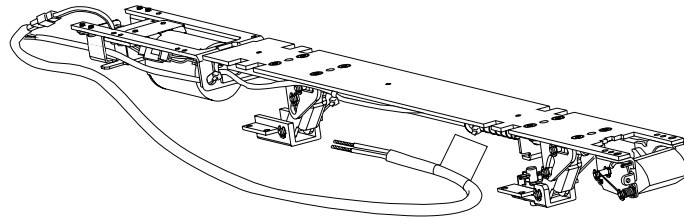
## Parts List

### Kit.1008

Baseplate assembly for:  
36" and 42" device

### Kit.1009

Baseplate assembly for:  
48" device



EL1590 Baseplate assembly

## Notes

- Verify length of new baseplate assembly matches old baseplate assembly before proceeding with disassembly.
- If the device you are replacing has been cut to a non-standard length, refer to device instruction for cut length to determine if new retrofit baseplate assembly will fit (new baseplate may be slightly longer than old baseplate).
- If existing application, disconnect power source before working on device.

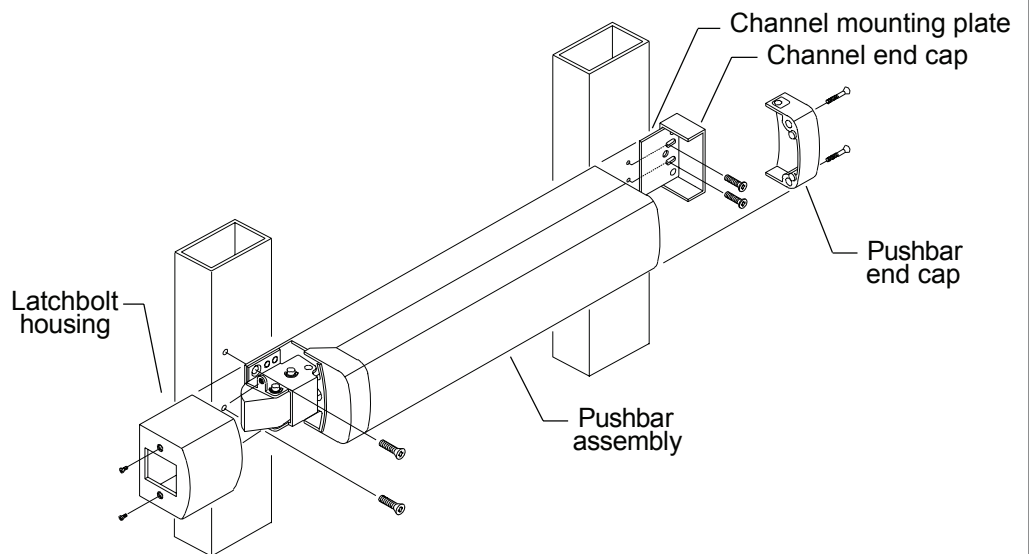
## 1 Remove device from door

1a Remove pushbar end cap on hinge stile.

1b Loosen two mounting screws on channel mounting plate.

1c Remove latch bolt housing on lock stile.

1d Remove two mounting screws on lock stile and remove device from door.

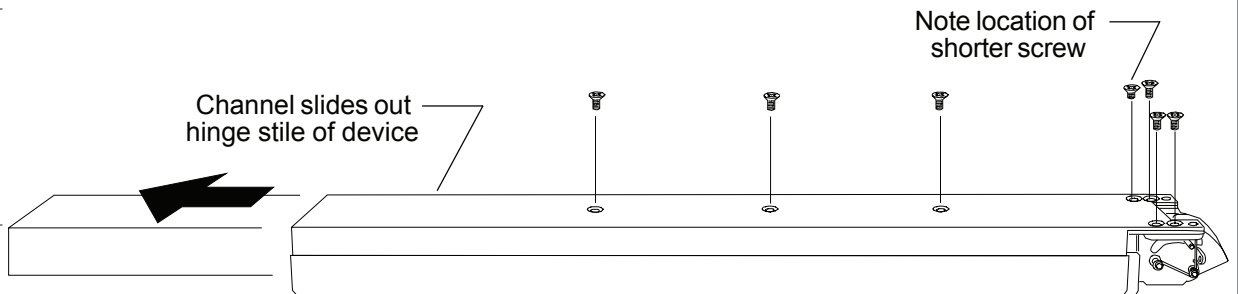


## 2 Remove channel from old baseplate

2a Place pushbar face down on non-marring surface.

2b Remove seven exposed screws from back of channel.

2c Slide channel from device.



### 3 Remove pushbar and replace on new baseplate assembly

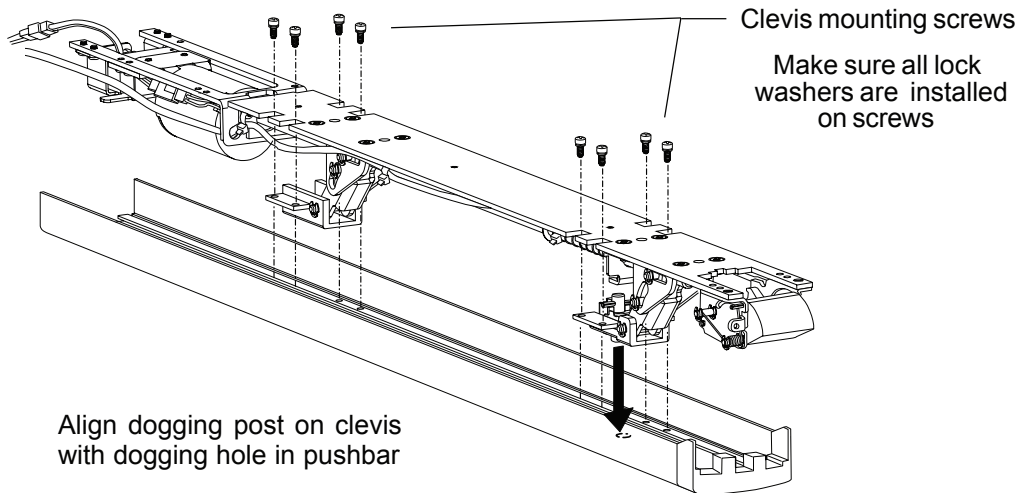
3a Remove eight clevis mounting screws using a magnetized #2 phillips screwdriver.

3b Remove old baseplate assembly from pushbar.  
Verify length (clevis to clevis) of old baseplate assembly matches new one.

3c Place new baseplate assembly on pushbar.

3d Align dogging post on clevis with dogging hole in pushbar.

3e Install eight clevis mounting screws using a magnetized #2 phillips screwdriver.



### 4 Reinstall channel

4a Slide channel onto new baseplate assembly.

4b Verify that wires and ears stay inside channel.

4c Install one shorter screw in the hole below rod end (Figure 4-1).

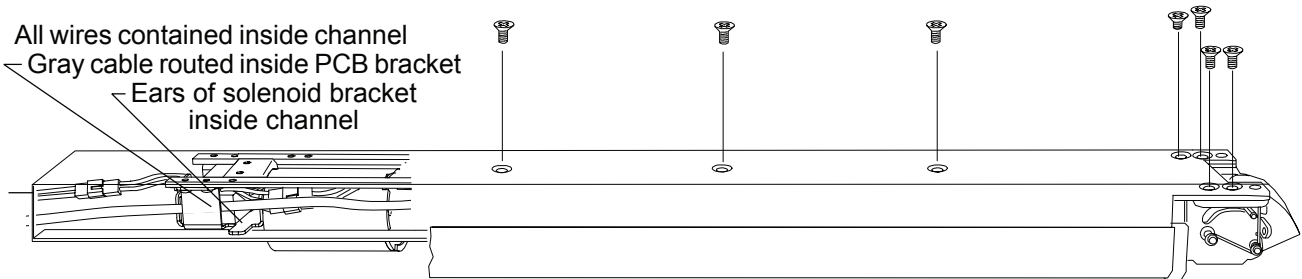
4d Install other six channel mounting screws.

4e Verify pushbar moves up and down freely without binding.

If it binds, check that:

- Short channel screw is in correct position.
- All wires are routed inside channel.
- Ears of solenoid bracket are inside channel.

All wires contained inside channel  
Gray cable routed inside PCB bracket  
Ears of solenoid bracket inside channel



### 5 Reinstall device

See device instructions for wiring and installation. For old applications wire size to the power supply may need to be increased. Solenoid wiring must be 12 AWG, 200 feet maximum, between power supply and EL device.