



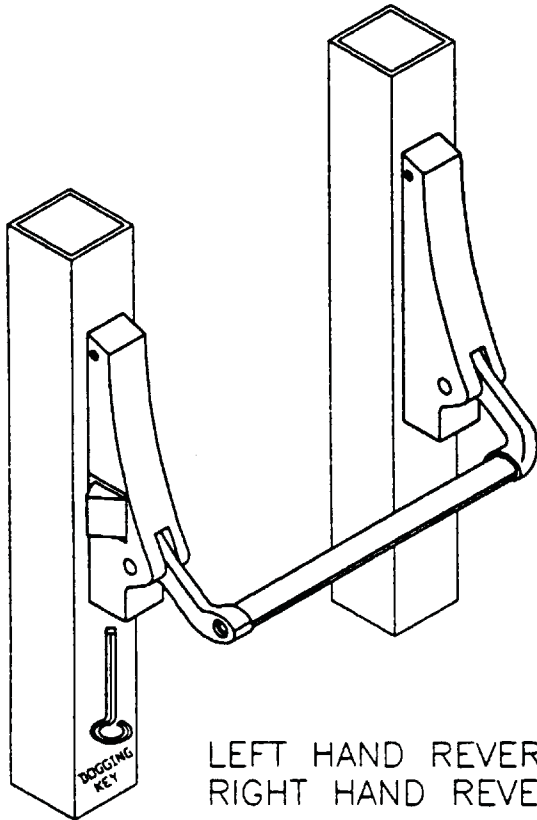
4270107565

2090 Panic Exit Hardware

FALCON®

Installation Instructions

"Panic Doors" with 2090 Falcon Rim Panic Exit Hardware



LEFT HAND REVERSE BEVEL SHOWN
RIGHT HAND REVERSE BEVEL SYMMETRICALLY OPPOSITE

INSTALLATION PROCEDURE

1. Hang door, as required by pivoting conditions.
2. Undog panic.
3. Outside key functions. The 2090 rim panic exit hardware is factory installed for key entry with dogging key option. To key dog the device for continued outside entry, turn key one full turn and remove from cylinder. Do not turn key in opposite direction to remove. To again lock door, insert key and turn one full turn in opposite direction. For key entry only see next page.
4. Install strike.
5. Glaze door as necessary.
6. Install P-003 pull as required.

2090 Rim panic exit hardware is factory installed in "PANIC DOORS".

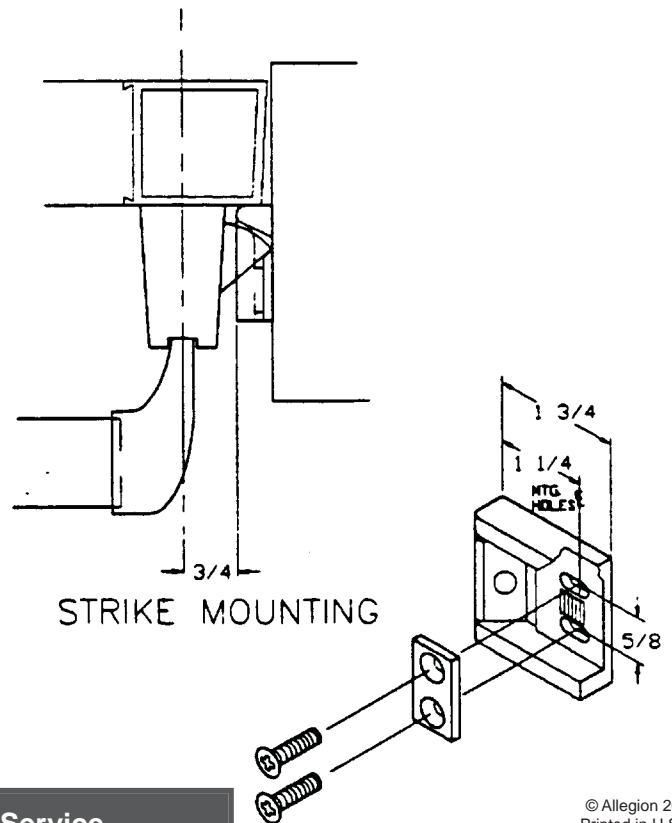
Panic is shipped in dogged position and must be undogged. This can be done with the use of the dogging key (taped to panic bar).

DOGGING INSTRUCTIONS

IMPORTANT: ALWAYS "DOG" BOTH HOUSINGS

To dog: Depress panic bar, hold down and turn dogging key clockwise.

To undog: turn key counterclockwise.



Customer Service

1-877-671-7011

www.allegion.com/us

© Allegion 2014
Printed in U.S.A.
4270107565 Rev. 10/14-c

TO CHANGE OUTSIDE KEY FUNCTIONS

First remove latch housing.

1. Loosen (3) set screws on latch housing.
2. Remove cross bar mounting screw.
3. Remove latch housing from mounting studs.
4. Then set pinion for desired key function.

To set pinion for key entry only.

1. Turn pinion until latch bolt is completely visible, then turn pinion back one-half turn.
2. Replace latch housing to mounting studs and attach crossbar.

To set pinion to key entry with dogging option (as factory assembled).

1. Turn pinion until latch bolt completely retracts.
2. Replace latch housing to mounting studs and attach crossbar.

