



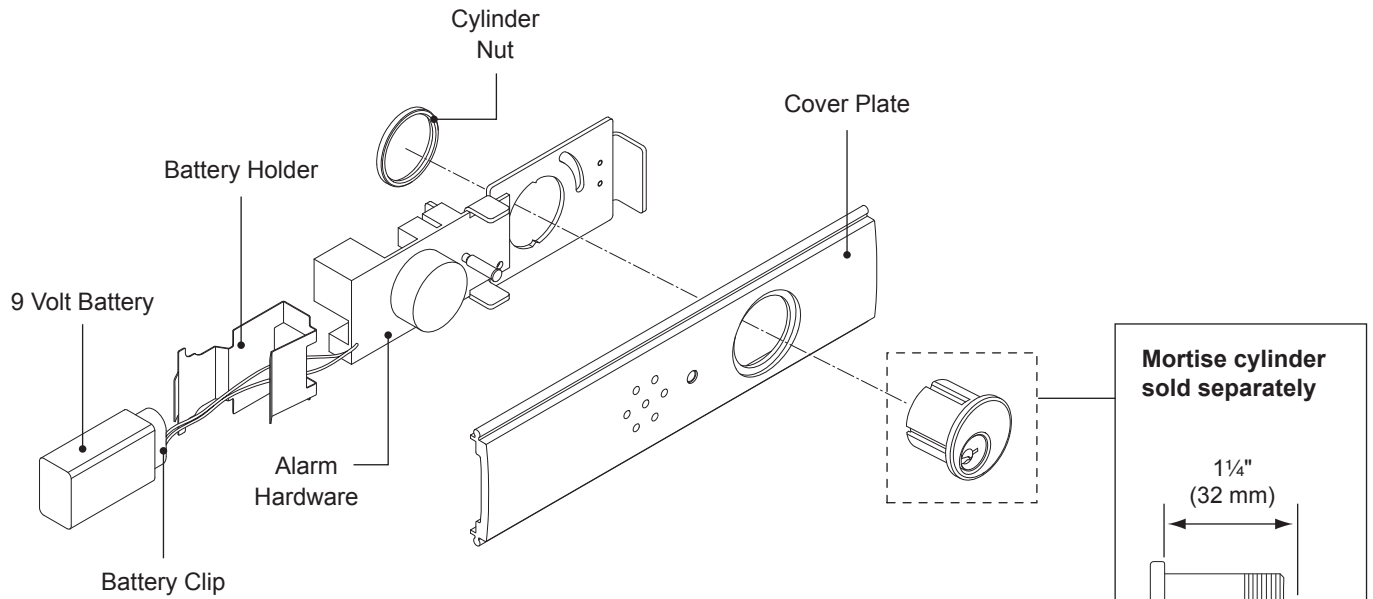
23963390

EA

FALCON®

24/25 Series Exit Alarm Kit

Installation Instructions

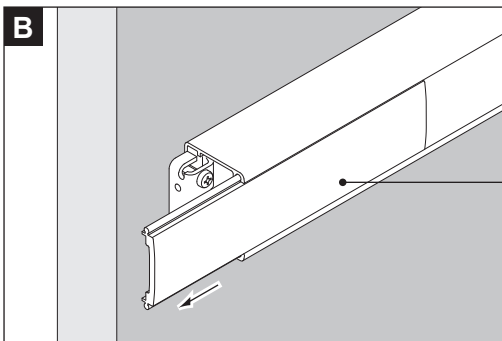
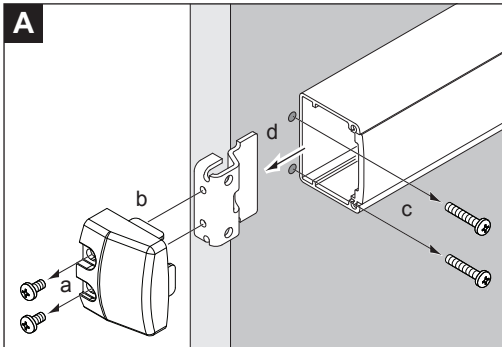


### Important Note

- The Exit Alarm Kit requires a RX or LX switch mounted in the exit device.

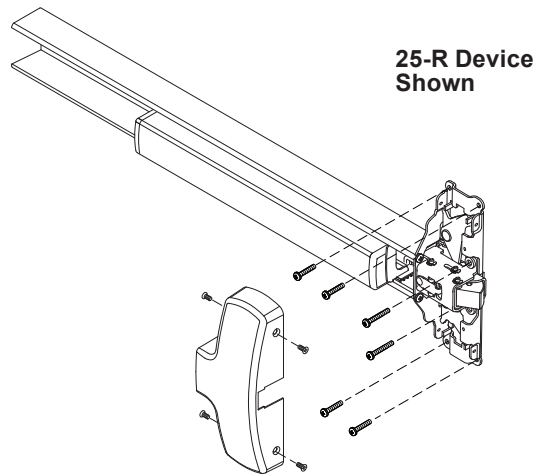
## PREPARE FOR INSTALLATION

**1** Remove and discard existing cover plate.



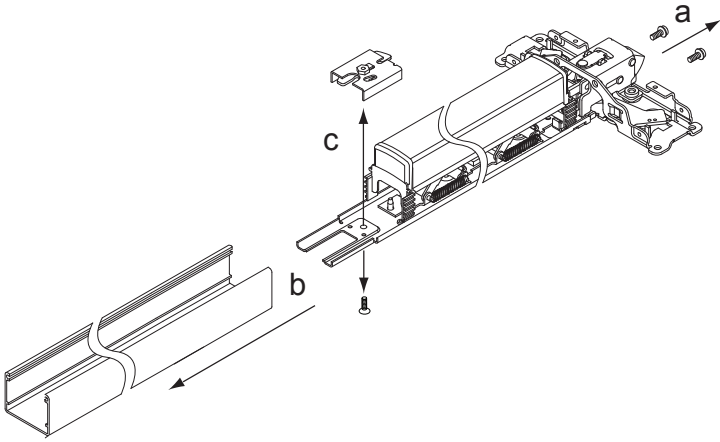
**2** If exit device has dogging, remove device from door.

If exit device does not have dogging (Fire or less dogging applications), skip to step 4.



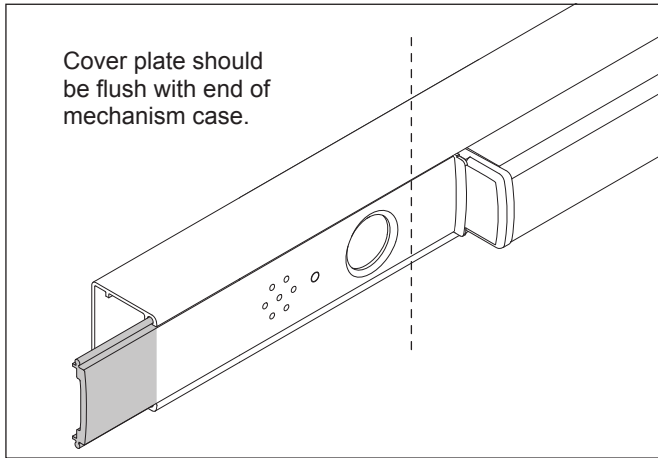
### 3 Remove and discard dogging assembly.

Dogging assemblies are shown below.



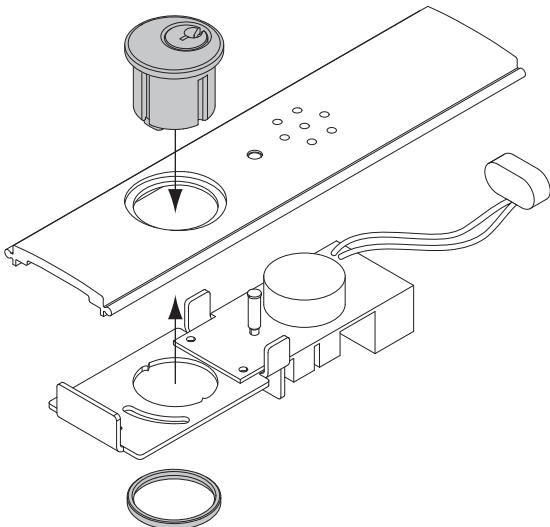
### 4 Cut new cover plate as needed to match exit device length.

Important: Cut end of cover plate nearest the pushbar.

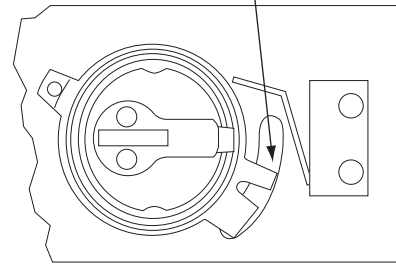


## ASSEMBLE AND INSTALL

### 5 Assemble the exit alarm unit with the parts in order as shown below.

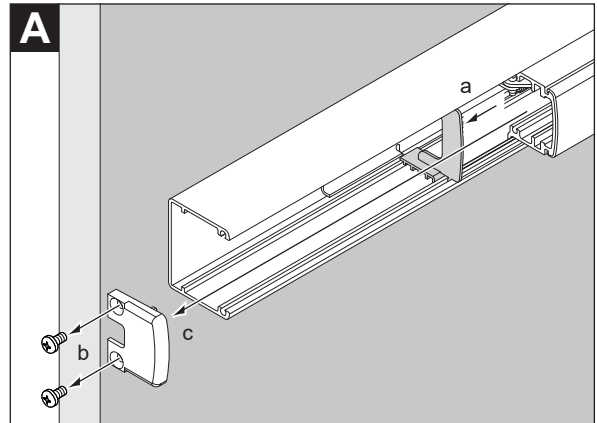


Cam should be in OFF position before battery is installed

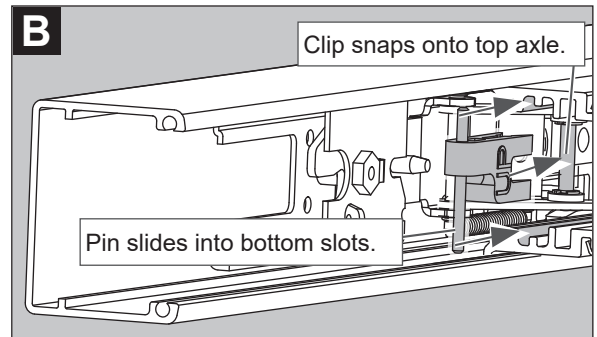


### 6 If exit device does not have LX or RX switch, install switch before proceeding.

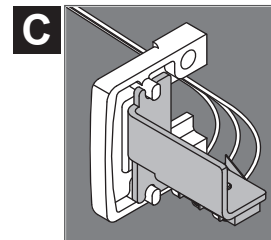
a. Remove pushbar endcap.



b. Install the clip and pin.  
• Push clip onto the axle linkage pin until it snaps into place.

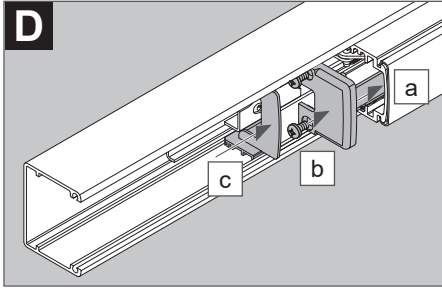


c. Install switch into pushbar endcap.  
• Place assembled switch mounting bracket and switch assembly into the pushbar endcap.



d. Reinstall pushbar endcap.

- ⓘ **Do not force endcap. If endcap does not fit easily, verify that the switch clip is oriented correctly and the pin is in the correct slot (step 6b).**



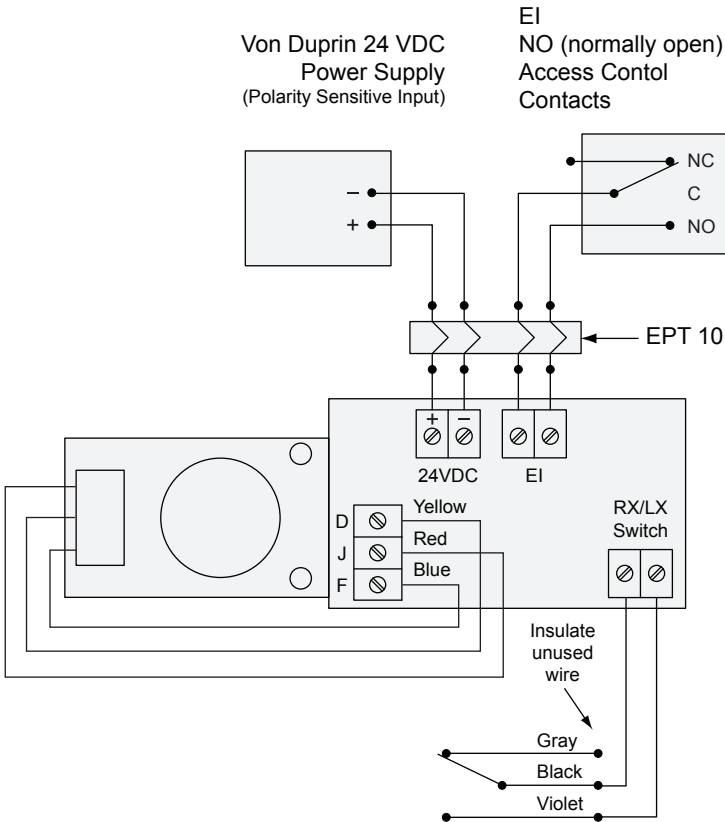
**7** Attach wiring to terminal blocks on exit alarm kit board as shown.

ⓘ **Notes about Wiring:**

The EI (external inhibit) option uses NO (normally open) dry contacts to inhibit the exit alarm.

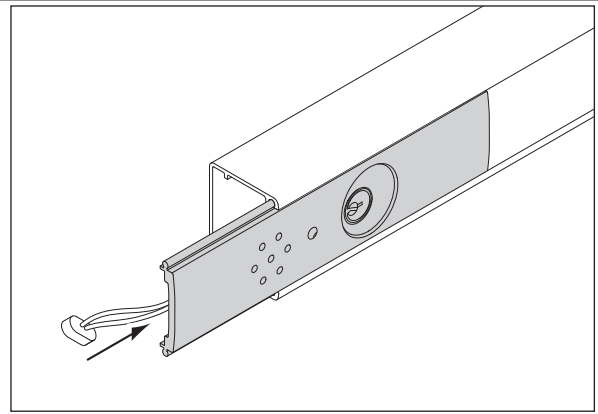
Closing the access control contacts inhibits the exit alarm. When the access control contacts are re-opened, the exit alarm re-arms with no delay.

RX, LX, and EI inputs are not polarized.



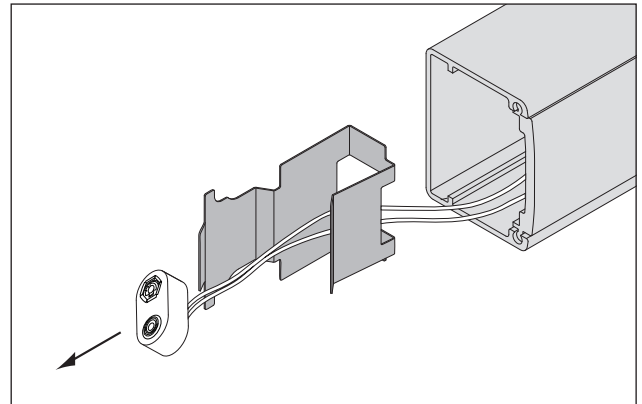
RX Switch \*

\* Prior to 2012, the RX wires were Red/Yellow/Blue (use Red and Yellow).

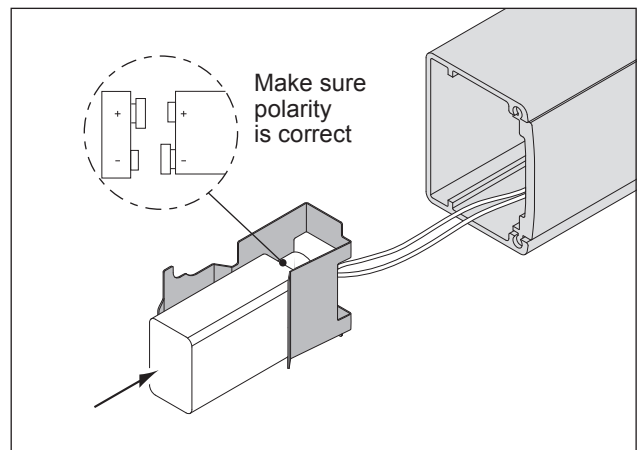


**8** Reinstall exit device onto door as needed.

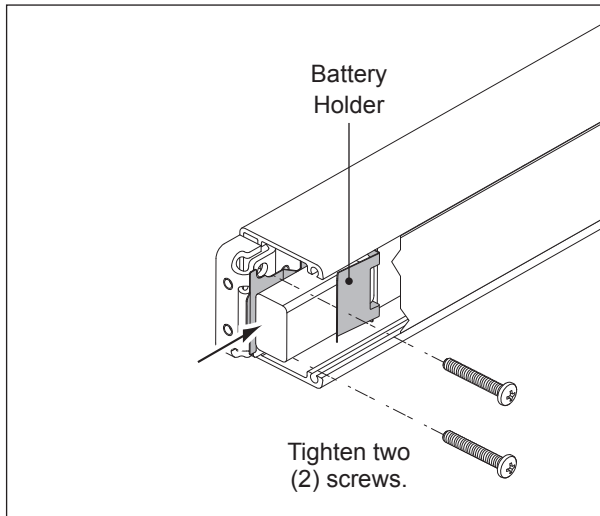
**9** Slide battery plug through battery holder.



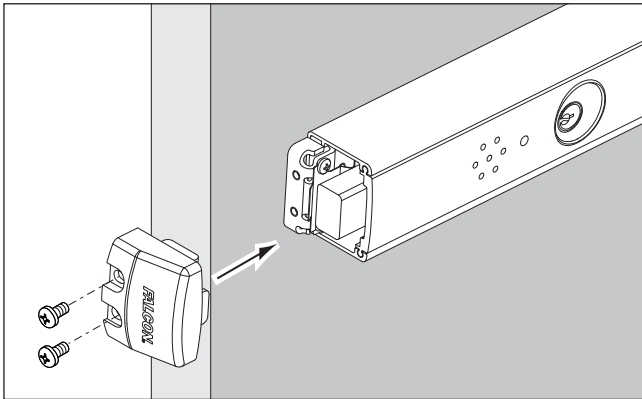
**10** Slide battery onto holder.



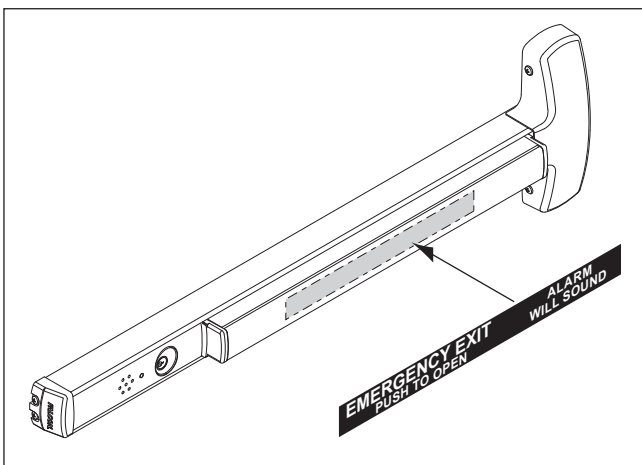
## 11 Attach battery and holder into end cap bracket.



## 12 Install end cap.



## 13 Install decal on exit device pushbar.

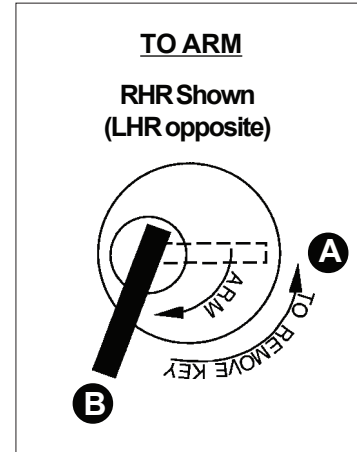


## OPERATING INSTRUCTIONS

- 1 Insert the key into the cylinder and arm the unit by turning the key clockwise to position B until it stops.

Return key to position A to remove.

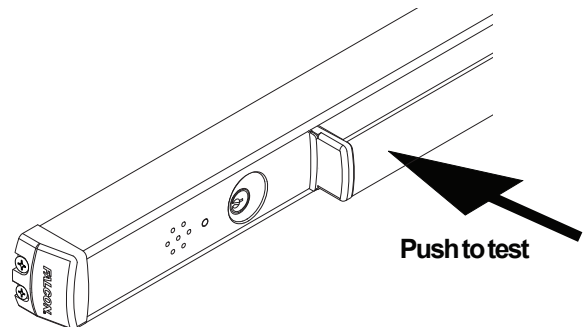
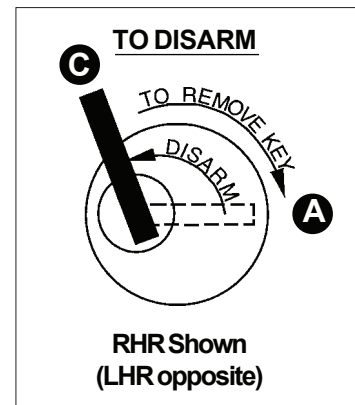
- ① **Note:** There is a 15 to 20 second delay before arming during which the LED will flash every 3 to 5 seconds.



- 2 Observe the LED.

After the 15-20 second delay has passed, the horn will sound briefly and the LED will flash every 12 to 15 seconds. This indicates that the exit alarm kit is now in armed mode.

- 3 Turn the key counterclockwise to position C to disarm.



Customer Service

1-877-671-7011 [www.allegion.com/us](http://www.allegion.com/us)



© Allegion 2018  
Printed in U.S.A.  
23963390 Rev. 05/18-e  
XCCE-Q513-050E