



030201-000-70

FALCON®

D-Series Deadbolt Installation for UL and ULC 20-Minute Fire Doors

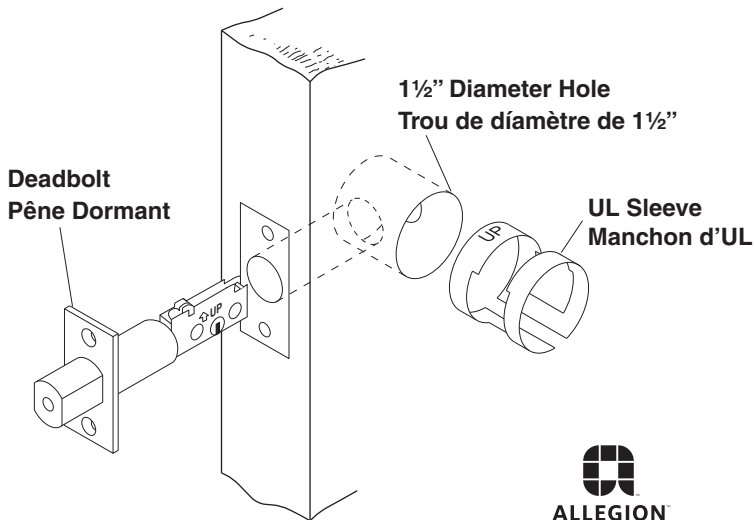
NOTE: Through-hole in door must be wider than 1½" diameter
Trou traversant dans la porte doit être plus large que 1½" diamètre

ATTENTION INSTALLER

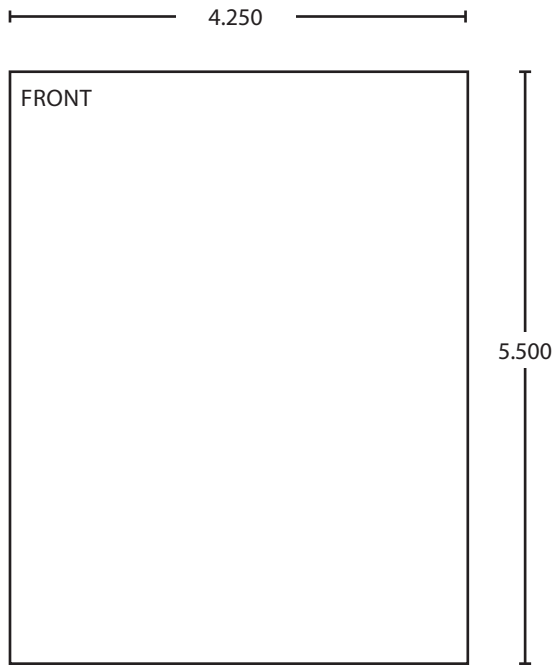
Before installing deadbolt,
UL sleeve must be installed
in 1½" diameter hole, as shown.

AVIS

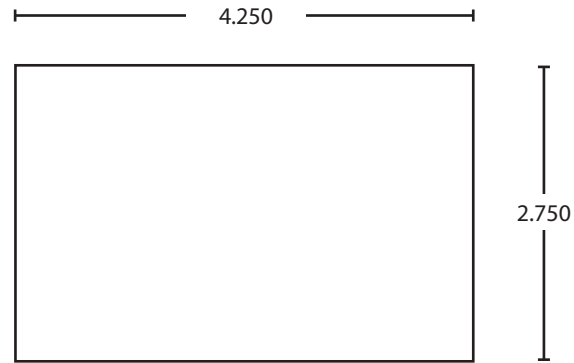
Avant l'installation du pêne dormant,
le manchon d'UL doit être installer
dans un trou de diamètre de 1½"
comme illustré.



© Allegion 2014
Printed in U.S.A.
030201-000-70 Rev. 10/14-e



BEGINNING SHEET



FOLDED SHEET

Additional Notes:
1. None

Revision History						Revision Description:					
A	B	C	D	E	F	E > Revised artwork					
---	5598	0790	6683								
Material						Edited By		Approved By		EC Number	Release Date
50# Offset or Equivalent						J. Ellis		M. Roberts		xxxxx	10/14
Notes						Title					
1. printed one side						Instruction Sheet, ULC D-Series					
2. printed black						Creation Date		Number		Revision	
3. tolerance $\pm .13$						10-28-14		030201-000-70		E	
4. printed in country may vary						Created By		Activity		© Allegion 2014	
5. barcode shows after folding						J. Ellis		3899 Hancock Expwy Security, CO 80911			
						Software: InDesign CS6					