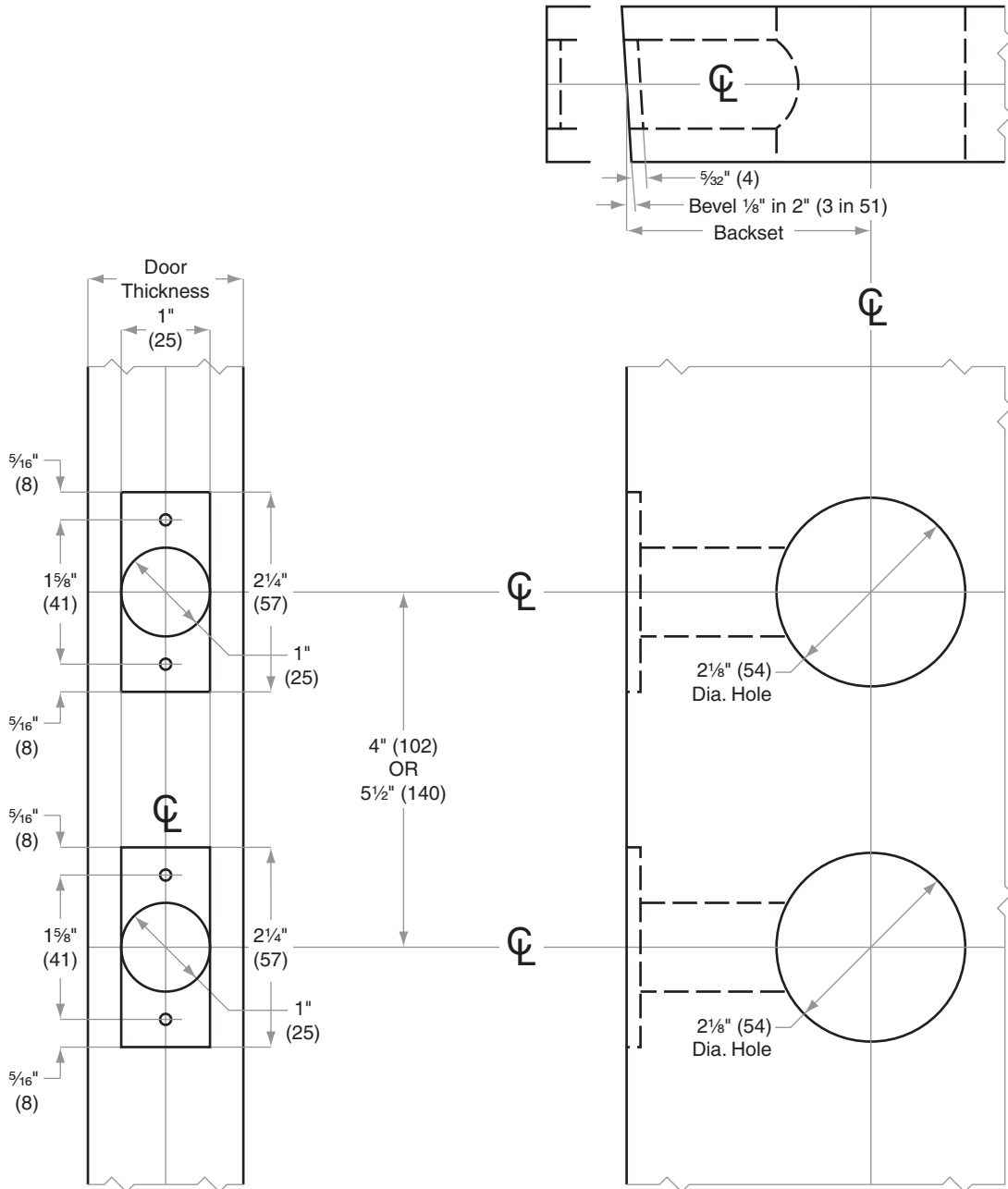


H2 Series

Model H2101, H2171

- Door Type: Wood or Composite, Flat or Beveled
- Door Thickness: 1¾" (44 mm)–2" (51 mm)
- Faceplate: Square Corner, 1" (25 mm) wide
- Backsets: 2¾" (60 mm), 2¾" (70 mm)



Dimensions shown in parentheses () are in millimeters.

Door preparation template

H2101