

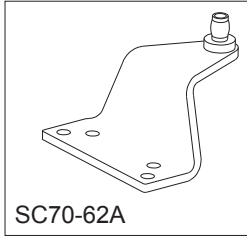


43079

SC60/70/80 Series/Serie/Série **FALCON**

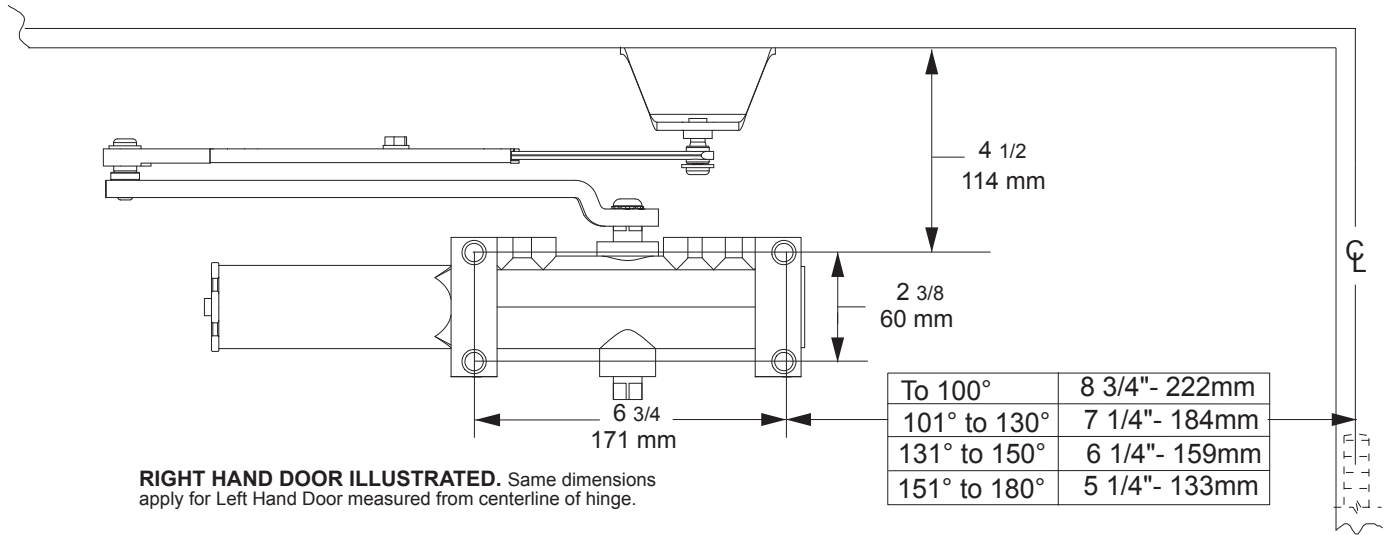
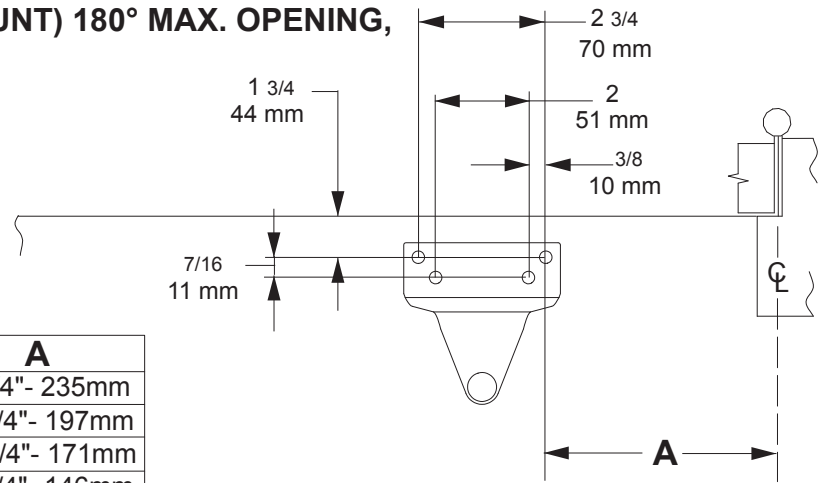
Installation Instructions

SC 70-62A PUSH SIDE (PADOOR MOUNT) 180° MAX. OPENING, BUTT SIZE 5x5 MAX.



SC70-62A

OPENING	A
To 100°	9 1/4"- 235mm
101° to 130°	7 3/4"- 197mm
131° to 150°	6 3/4"- 171mm
151° to 180°	5 3/4"- 146mm



RIGHT HAND DOOR ILLUSTRATED. Same dimensions apply for Left Hand Door measured from centerline of hinge.

To 100°	8 3/4"- 222mm
101° to 130°	7 1/4"- 184mm
131° to 150°	6 1/4"- 159mm
151° to 180°	5 1/4"- 133mm

⚠ CAUTION ⚠

Improper installation or regulation may result in personal injury or property damage. Follow all instructions carefully. For questions, call Falcon at 1-877-671-7011

⚠ DANGER ⚠

Une installation ou un réglage inadéquats peuvent entraîner des blessures ou des dommages. Veuillez suivre toutes les instructions avec soin. Pour plus de renseignements, composez le 1-877-671-7011

⚠ ADVERTENCIA ⚠

Una instalación o un ajuste incorrectos pueden resultar en daño personal o material. Siga bien todas las instrucciones. Para más informaciones, llama a Falcon al 1-877-671-7011

	Fasteners	Door/Frame	Drill Sizes
PA Shoe	#14 Wood	Wood	1/8"
	1/4-20 Machine	Metal	Drill: #7 Tap: 1/4-20
Closer Body	#14 Wood	Wood	1/8"
	1/4-20 Machine	Metal	Drill: #7 Tap: 1/4-20
Either	Thru-Bolt	All	3/8"

Customer Service Servicio al cliente Service à la clientèle

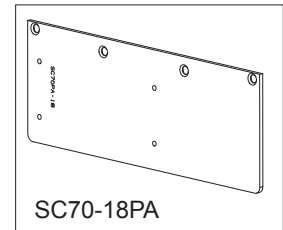
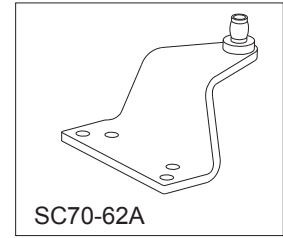
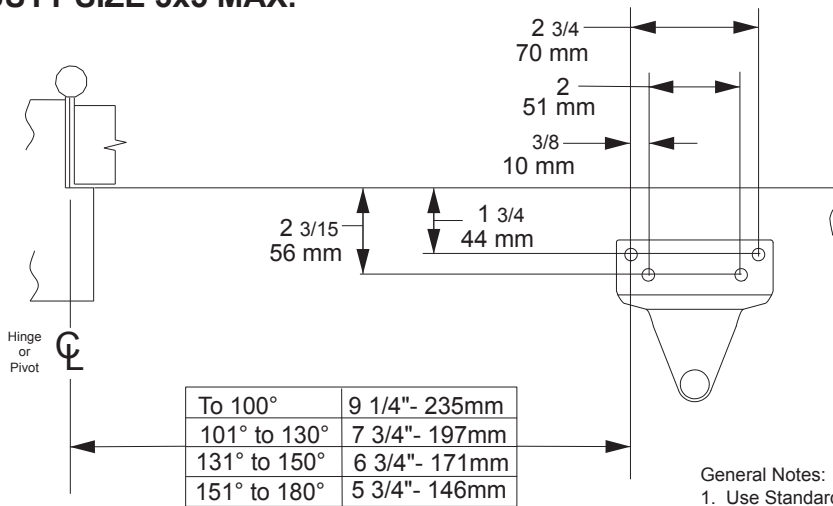
1-877-671-7011

www.allegion.com/us

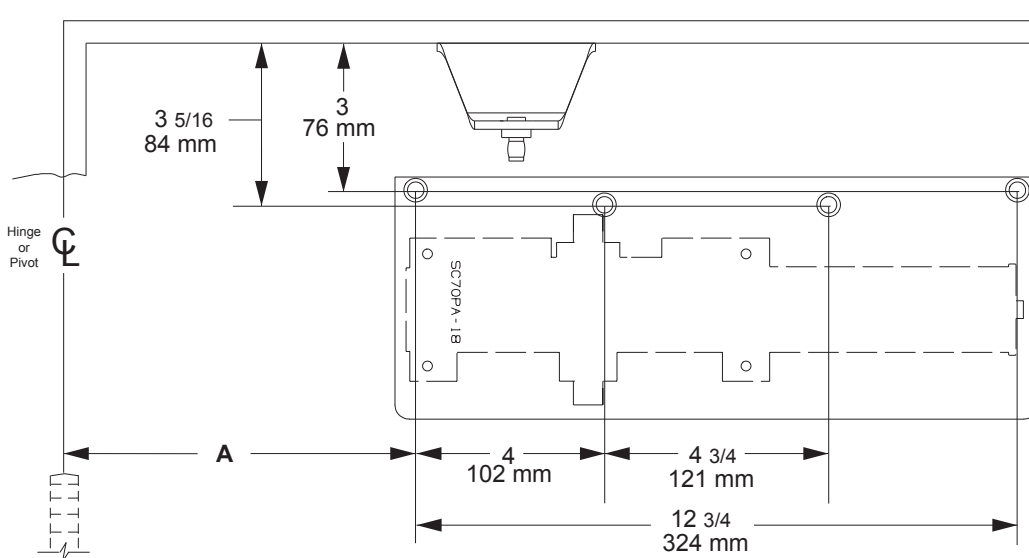


© Allegion 2014
Printed in U.S.A.
43079 Rev. 01/14-f

SC 70-62A PUSH SIDE (PA DOOR MOUNT) DROP PLATE PERMITS 180° MAX. OPENING, BUTT SIZE 5x5 MAX.



General Notes:
1. Use Standard instruction sheet for installation sequence and closer adjustments.



OPENING	A
To 100°	8 1/2"- 216mm
101° to 130°	7"- 178mm
131° to 150°	6"- 152mm
151° to 180°	5"- 127mm

LEFT HAND DOOR ILLUSTRATED. Same dimensions apply for Right Hand Door measured from centerline of hinge.

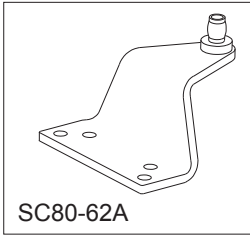
	Fasteners	Door/Frame	Drill Sizes
PA Shoe	#14 Wood	Wood	1/8"
	1/4-20 Machine	Metal	Drill: #7 Tap: 1/4-20
Closer Body	#14 Wood	Wood	1/8"

⚠ CAUTION ⚠
Improper installation or regulation may result in personal injury or property damage. Follow all instructions carefully. For questions, call Falcon at 1-877-671-7011

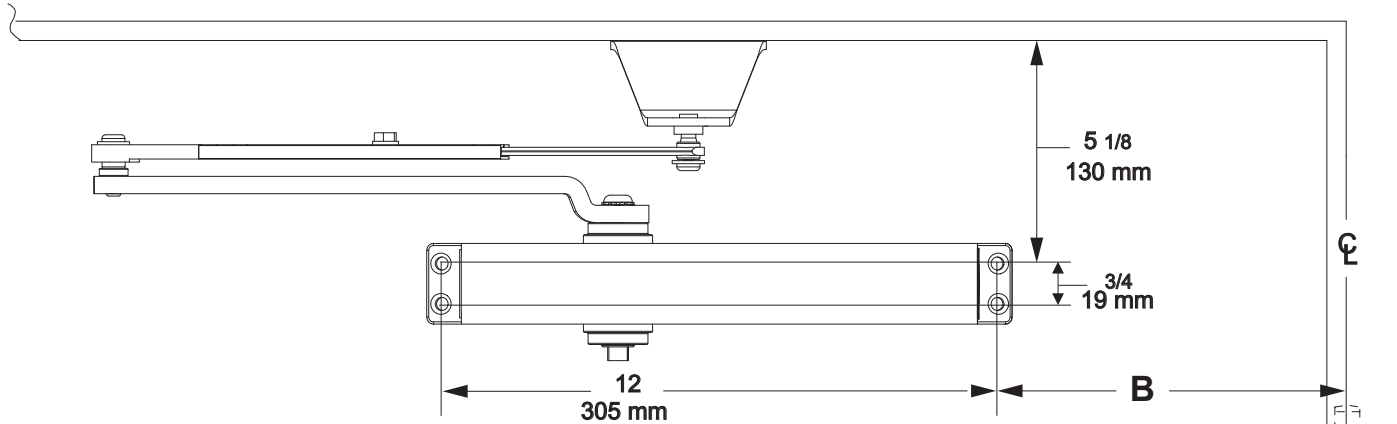
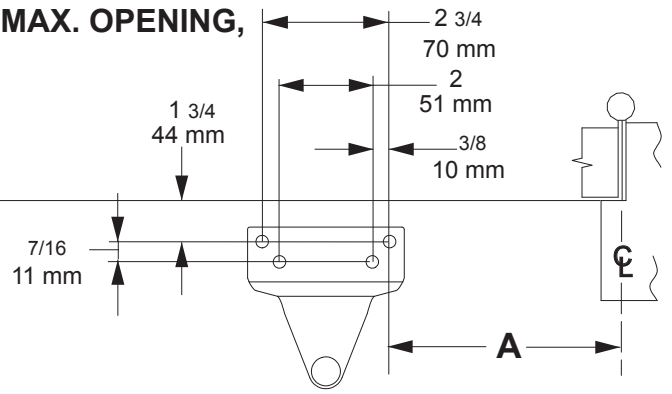
⚠ DANGER ⚠
Une installation ou un réglage inadéquats peuvent entraîner des blessures ou des dommages. Veuillez suivre toutes les instructions avec soin. Pour plus de renseignements, composez le 1-877-671-7011

⚠ ADVERTENCIA ⚠
Una instalación o un ajuste incorrectos pueden resultar en daño personal o material. Siga bien todas las instrucciones. Para más informaciones, llama a Falcon al 1-877-671-7011

**SC 80-62A PUSH SIDE (PA DOOR MOUNT) 180° MAX. OPENING,
BUTT SIZE 5x5 MAX.**



OPENING	A
To 120°	9"- 229mm
121° to 180°	7 1/4"- 184mm



RIGHT HAND DOOR ILLUSTRATED. Same dimensions apply for Left Hand Door measured from centerline of hinge.

OPENING	B
To 120°	4 3/16"- 106mm
121° to 180°	2 1/2"- 64mm

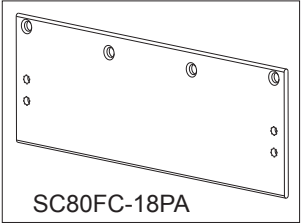
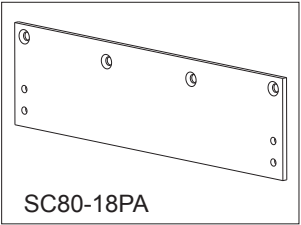
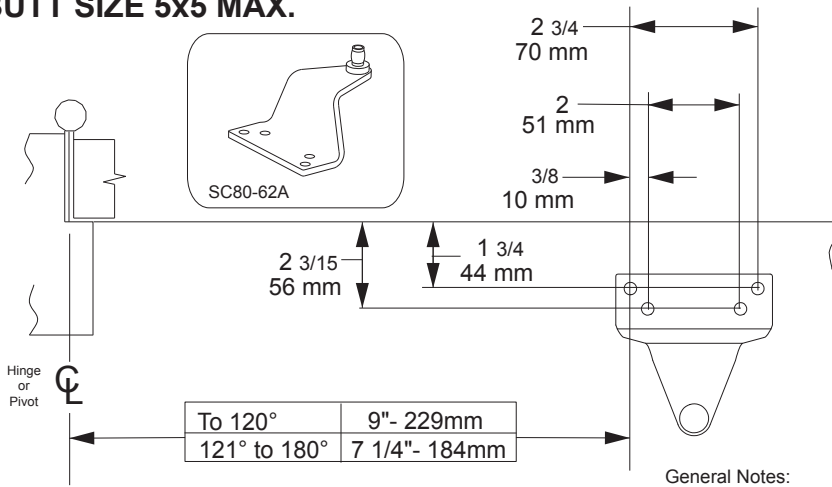
	Fasteners	Door/Frame	Drill Sizes
PA Shoe	#14 Wood	Wood	1/8"
	1/4-20 Machine	Metal	Drill: #7 Tap: 1/4-20
Closer Body	#14 Wood	Wood	1/8"
	1/4-20 Machine	Metal	Drill: #7 Tap: 1/4-20
Either	Thru-Bolt	All	3/8"

⚠ CAUTION ⚠
Improper installation or regulation may result in personal injury or property damage. Follow all instructions carefully. For questions, call Falcon at 1-877-671-7011

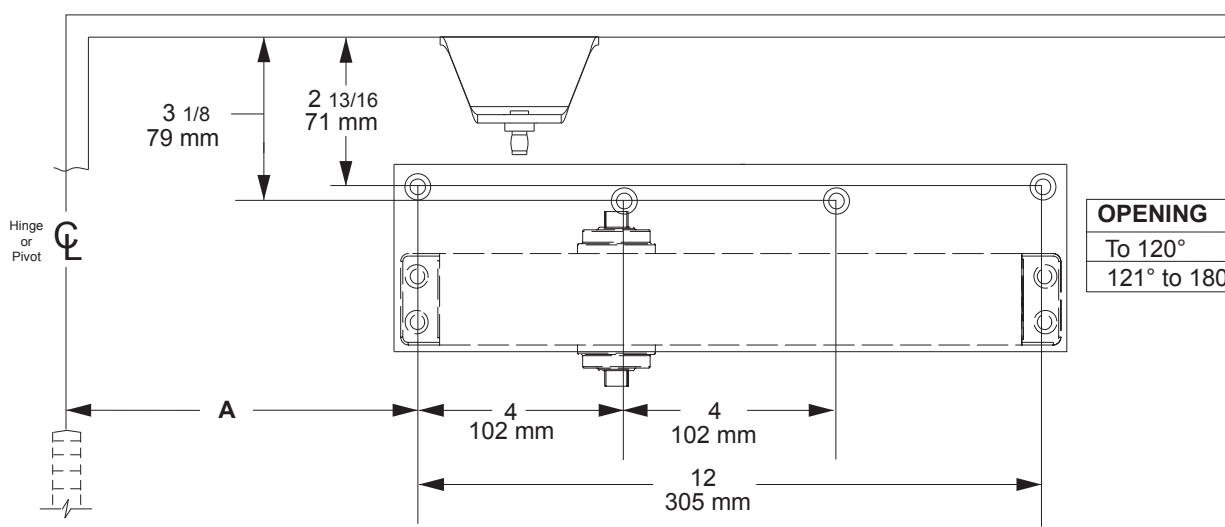
⚠ DANGER ⚠
Une installation ou un réglage inadéquats peuvent entraîner des blessures ou des dommages. Veuillez suivre toutes les instructions avec soin. Pour plus de renseignements, composez le 1-877-671-7011

⚠ ADVERTENCIA ⚠
Una instalación o un ajuste incorrectos pueden resultar en daño personal o material. Siga bien todas las instrucciones. Para más informaciones, llama a Falcon al 1-877-671-7011

SC 80-62A PUSH SIDE (PA DOOR MOUNT) DROP PLATE PERMITS 180° MAX. OPENING, BUTT SIZE 5x5 MAX.



General Notes:
1. Use Standard instruction sheet for installation sequence and closer adjustments.



LEFT HAND DOOR ILLUSTRATED. Same dimensions apply for Right Hand Door measured from centerline of hinge.

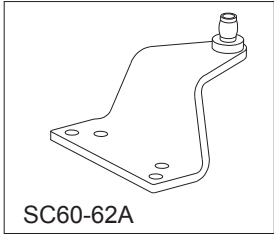
	Fasteners	Door/Frame	Drill Sizes
Plate	1/4-20 Machine	Metal	Drill: #7 Tap: 1/4-20
	#14 Wood	Wood	1/8"
Closer Body	1/4-20 Machine	Metal	Drill: #7 Tap: 1/4-20

CAUTION
Improper installation or regulation may result in personal injury or property damage. Follow all instructions carefully. For questions, call Falcon at 1-877-671-7011

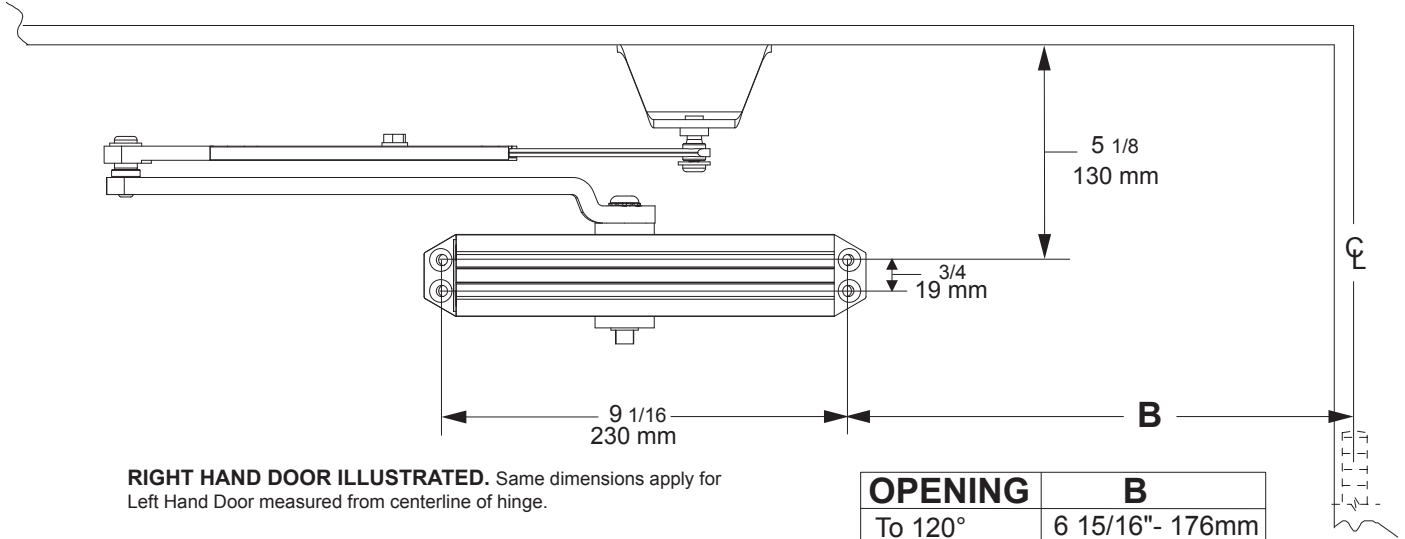
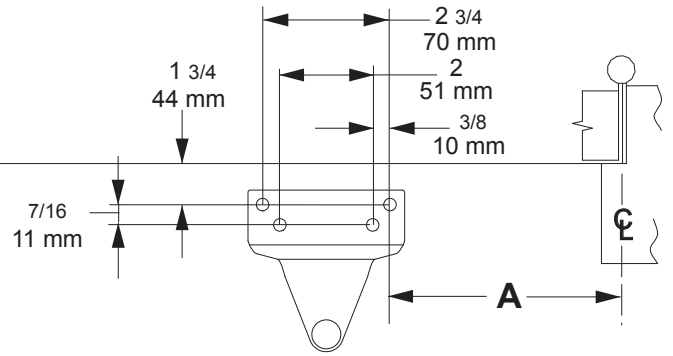
ADVERTENCIA
Una instalación o un ajuste incorrectos pueden resultar en daño personal o material. Siga bien todas las instrucciones. Para más informaciones, llama a Falcon al 1-877-671-7011

DANGER
Une installation ou un réglage inadéquats peuvent entraîner des blessures ou des dommages. Veuillez suivre toutes les instructions avec soin. Pour plus de renseignements, composez le 1-877-671-7011

**SC 60-62A PUSH SIDE (PA DOOR MOUNT) 180° MAX. OPENING,
BUTT SIZE 5x5 MAX.**



OPENING	A
To 120°	8 5/8" - 219mm
121° to 180°	7 1/8" - 181mm



OPENING	B
To 120°	6 15/16" - 176mm
121° to 180°	5 7/16" - 138mm

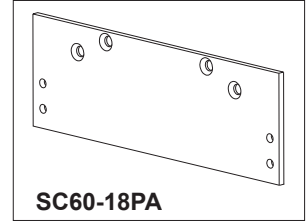
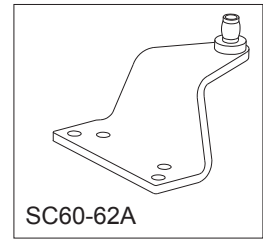
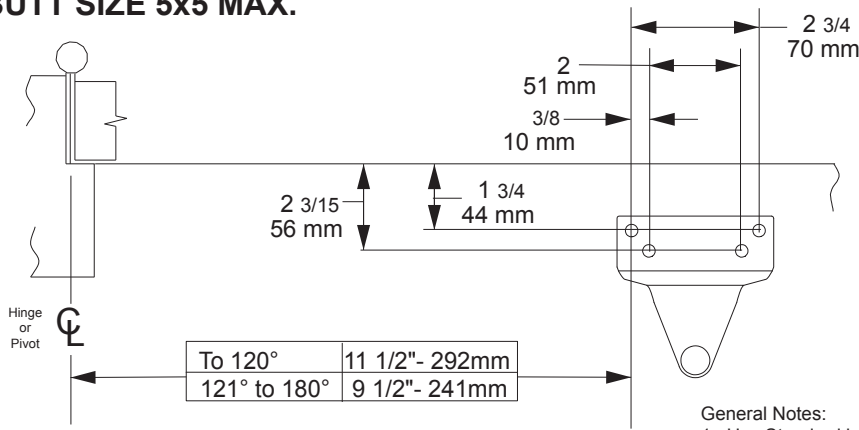
	Fasteners	Door/Frame	Drill Sizes
PA Shoe	#14 Wood	Wood	1/8"
	1/4-20 Machine	Metal	Drill: #7 Tap: 1/4-20
Closer Body	#14 Wood	Wood	1/8"
	1/4-20 Machine	Metal	Drill: #7 Tap: 1/4-20
Either	Thru-Bolt	All	3/8"

⚠ CAUTION ⚠
Improper installation or regulation may result in personal injury or property damage. Follow all instructions carefully. For questions, call Falcon at 1-877-671-7011

⚠ ADVERTENCIA ⚠
Una instalación o un ajuste incorrectos pueden resultar en daño personal o material. Siga bien todas las instrucciones. Para más informaciones, llama a Falcon al 1-877-671-7011

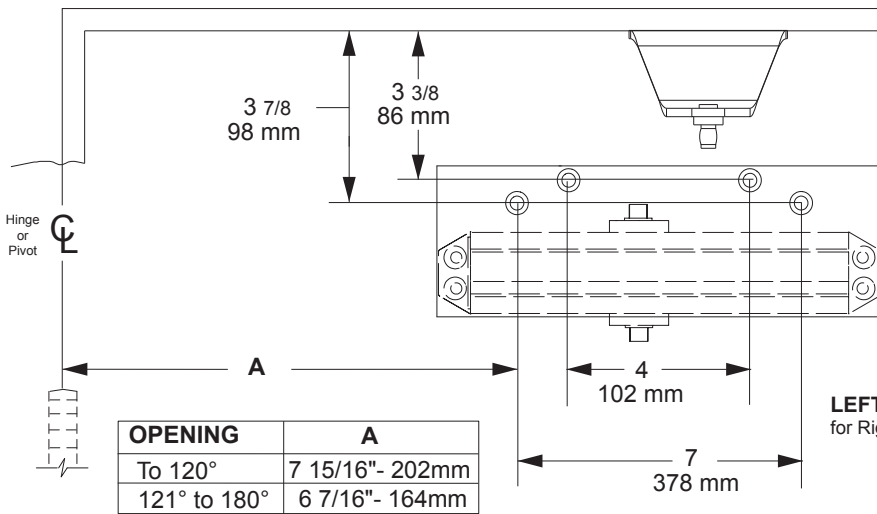
⚠ DANGER ⚠
Une installation ou un réglage inadéquats peuvent entraîner des blessures ou des dommages. Veuillez suivre toutes les instructions avec soin. Pour plus de renseignements, composez le 1-877-671-7011

SC 60-62A PUSH SIDE (PA DOOR MOUNT) DROP PLATE PERMITS 180° MAX. OPENING, BUTT SIZE 5x5 MAX.



General Notes:
1. Use Standard instruction sheet for installation sequence and closer adjustments.

To 120°	11 1/2" - 292mm
121° to 180°	9 1/2" - 241mm



LEFT HAND DOOR ILLUSTRATED. Same dimensions apply for Right Hand Door measured from centerline of hinge.

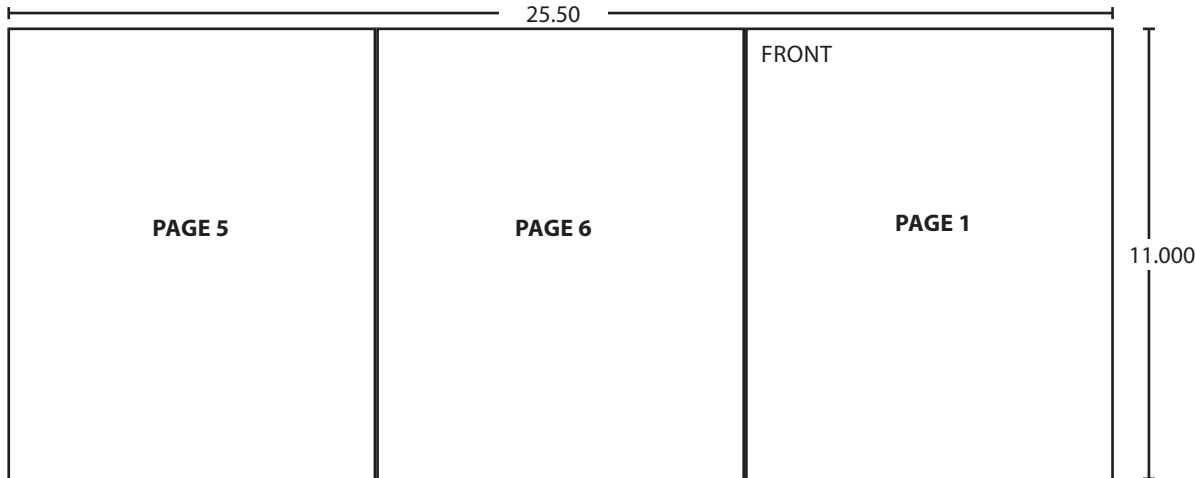
OPENING	A
To 120°	7 15/16" - 202mm
121° to 180°	6 7/16" - 164mm

	Fasteners	Door/Frame	Drill Sizes
PA Shoe	#14 Wood	Wood	1/8"
	1/4-20 Machine	Metal	Drill: #7 Tap: 1/4-20
Closer Body	#14 Wood	Wood	1/8"

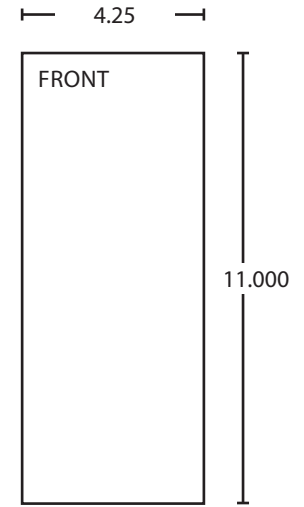
CAUTION
Improper installation or regulation may result in personal injury or property damage. Follow all instructions carefully. For questions, call Falcon at 1-877-671-7011

DANGER
Une installation ou un réglage inadéquats peuvent entraîner des blessures ou des dommages. Veuillez suivre toutes les instructions avec soin. Pour plus de renseignements, composez le 1-877-671-7011

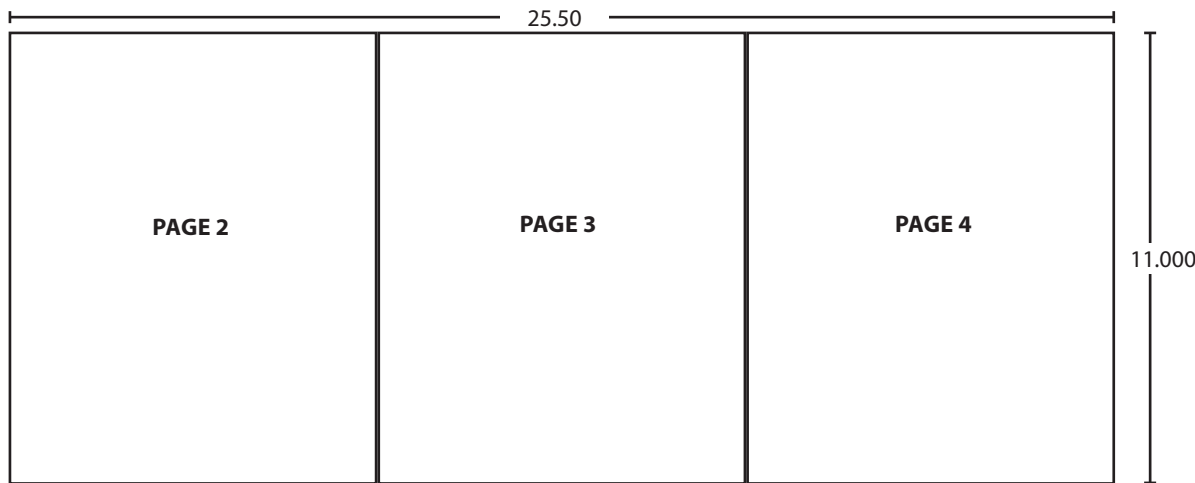
ADVERTENCIA
Una instalación o un ajuste incorrectos pueden resultar en daño personal o material. Siga bien todas las instrucciones. Para más informaciones, llama a Falcon al 1-877-671-7011



BEGINNING SHEET



FOLDED SHEET



Additional Notes:
1. None

Revision History						Revision Description: F > Revised artwork					
A	B	C	D	E	F						
N/A	N/A	N/A	046206								
Material White Paper						Edited By D. Myers		Approved By M. Sasso		EC Number 046206	Release Date 01-01-14
Notes 1. printed two sides 2. printed black 3. tolerance ± .13 4. printed in country may vary 5. drawings not to scale						Title SC60, SC70 & SC80 Series 62A Push Side Instruction Sheet					
						Creation Date 04-27-10		Number 43079			Revision F
						Created By N/A		Activity 3899 Hancock Expwy Security, CO 80911			
						Software: InDesign CS6					