



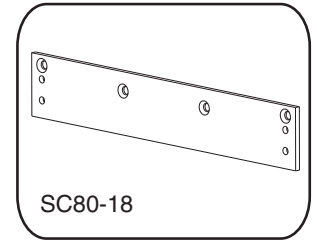
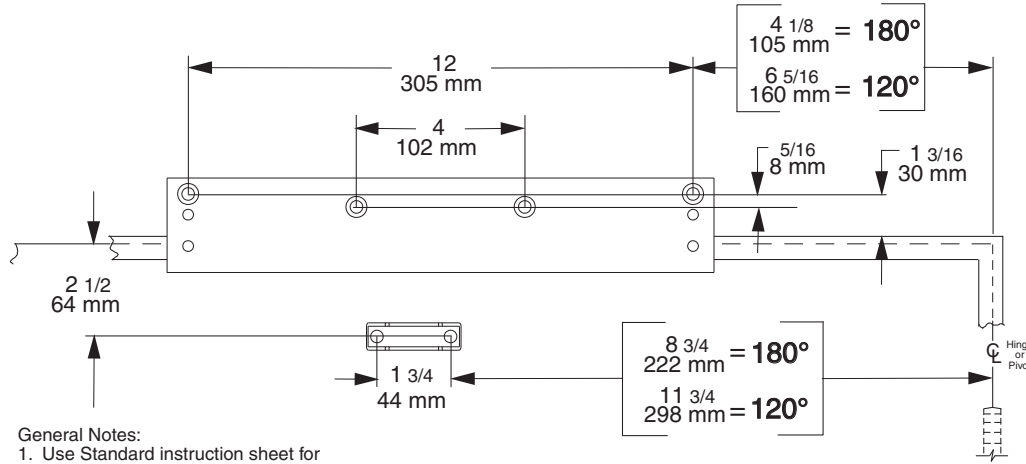
42921

SC80 Series

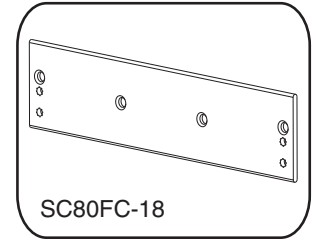
FALCON®

Installation Instructions

SC80 SERIES PUSH SIDE (TOP JAMB) DROP PLATE PERMITS 180° MAXIMUM OPENING



SC80-18



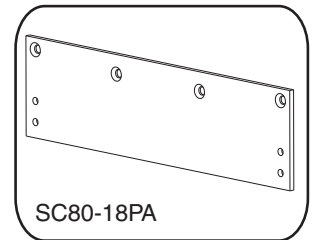
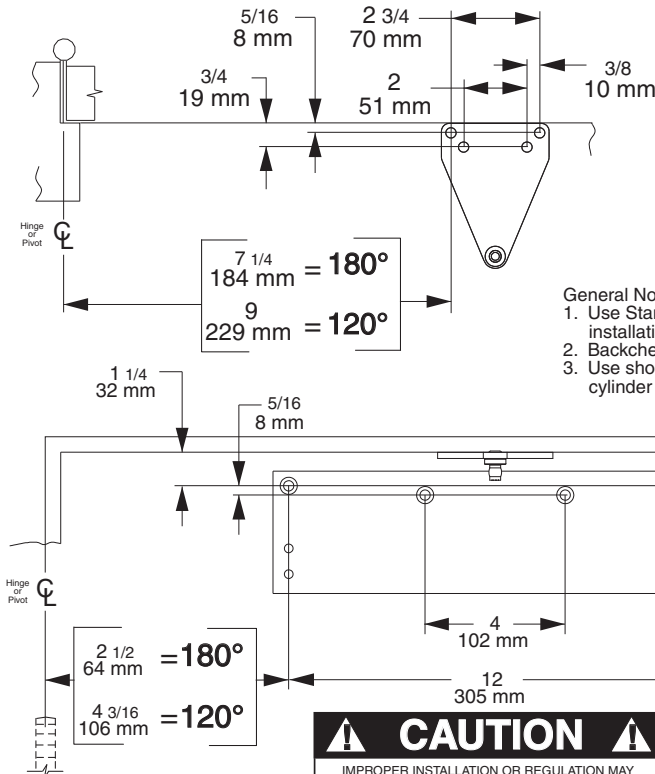
SC80FC-18

General Notes:

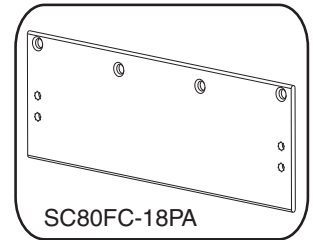
1. Use Standard instruction sheet for installation sequence and closer adjustments.
2. Backcheck faces away from the hinge edge.
3. Use shorter machine screws to attach cylinder to drop plate.

RIGHT HAND DOOR ILLUSTRATED. Same dimensions apply for Left Hand Door measured from hinge side.

SC80 SERIES PUSH SIDE (PA DOOR MOUNT) DROP PLATE PERMITS 180° MAX. OPENING, BUTT SIZE 5x5 MAX.



SC80-18PA



SC80FC-18PA

General Notes:

1. Use Standard instruction sheet for installation sequence and closer adjustments.
2. Backcheck faces toward the hinge edge.
3. Use shorter machine screws to attach cylinder to drop plate.

LEFT HAND DOOR ILLUSTRATED. Same dimensions apply for Right Hand Door measured from hinge side.

CAUTION
IMPROPER INSTALLATION OR REGULATION MAY RESULT IN PERSONAL INJURY OR PROPERTY DAMAGE. FOLLOW ALL INSTRUCTIONS CAREFULLY. FOR QUESTIONS, CALL FALCON AT 1-877-671-7011.

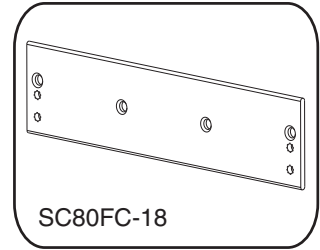
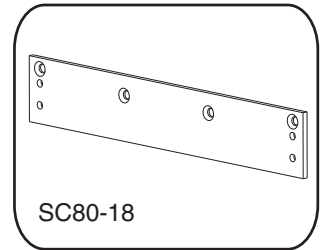
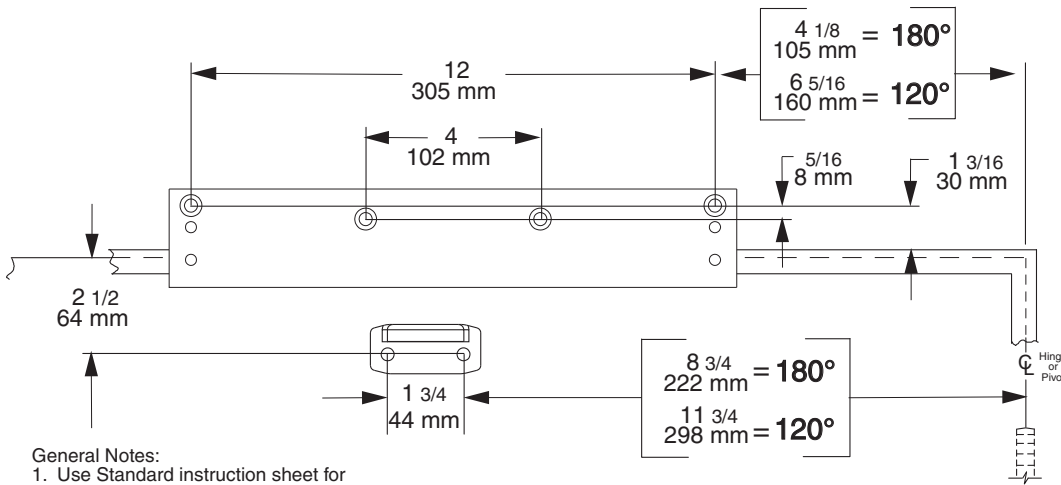
DANGER
Une installation ou un réglage inadéquats peuvent entraîner des blessures ou des dommages. Veuillez suivre toutes les instructions avec soin. Pour plus de renseignements, composez le 1-877-671-7011

ADVERTENCIA
Una instalación o un ajuste incorrectos pueden resultar en daño personal o material. Siga bien todas las instrucciones para más informaciones, llama a lcn al 1-877-671-7011

PLATE FASTENERS

		DOOR / FRAME	DRILL-SIZES
PLATE		METAL	drill: #7 tap: 1/4-20
	#14 wood screw"/>	WOOD	1/8"
CLOSER BODY		PLATE	N/A

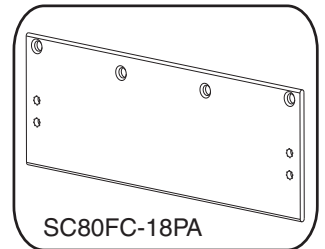
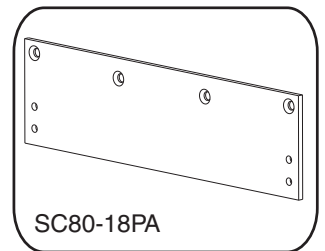
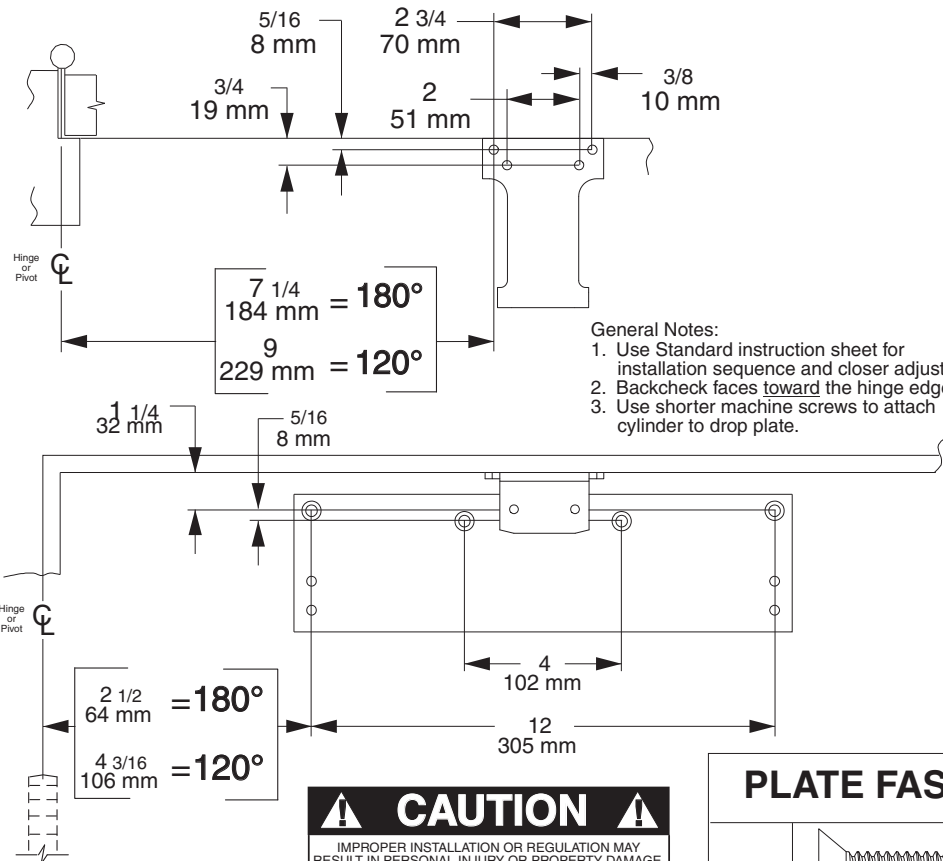
SC80 SERIES Hold-Open PUSH SIDE (TOP JAMB) DROP PLATE PERMITS 180° MAXIMUM OPENING



- General Notes:
1. Use Standard instruction sheet for installation sequence and closer adjustments.
 2. Backcheck faces away from the hinge edge.
 3. Use shorter machine screws to attach cylinder to drop plate.

RIGHT HAND DOOR ILLUSTRATED. Same dimensions apply for Left Hand Door measured from hinge side.

SC80 SERIES Hold-Open PUSH SIDE (PA DOOR MOUNT) DROP PLATE PERMITS 180° MAX. OPENING, BUTT SIZE 5x5 MAX.



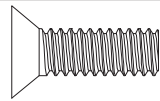
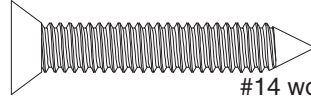
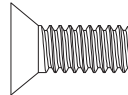
- General Notes:
1. Use Standard instruction sheet for installation sequence and closer adjustments.
 2. Backcheck faces toward the hinge edge.
 3. Use shorter machine screws to attach cylinder to drop plate.

LEFT HAND DOOR ILLUSTRATED. Same dimensions apply for Right Hand Door measured from hinge side.

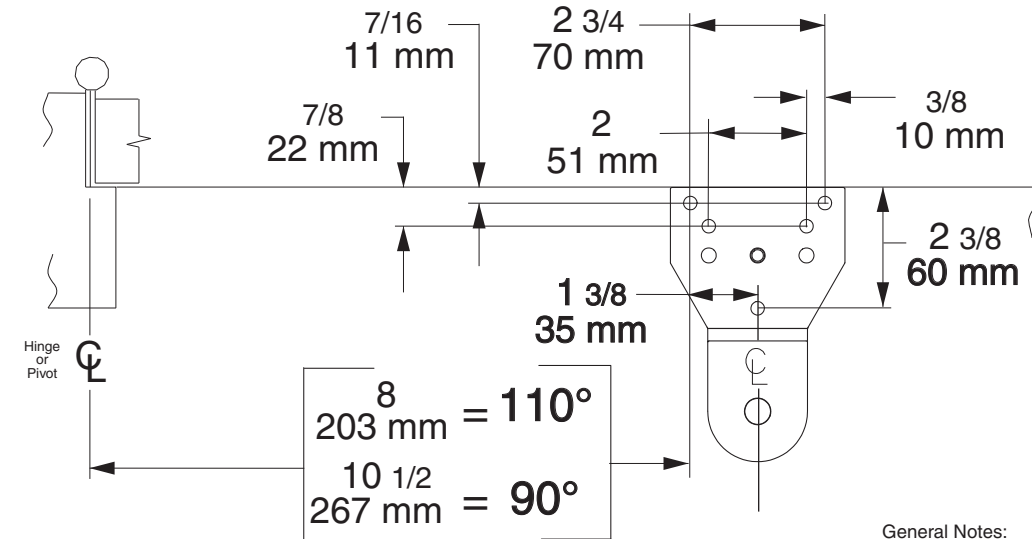
CAUTION
IMPROPER INSTALLATION OR REGULATION MAY RESULT IN PERSONAL INJURY OR PROPERTY DAMAGE. FOLLOW ALL INSTRUCTIONS CAREFULLY. FOR QUESTIONS, CALL FALCON AT 1-877-671-7011.

DANGER
Une installation ou un réglage inadéquats peuvent entraîner des blessures ou des dommages. Veuillez suivre toutes les instructions avec soin. Pour plus de renseignements, composez le 1-877-671-7011

ADVERTENCIA
Una instalación o un ajuste incorrectos pueden resultar en daño personal o material. Siga bien todas las instrucciones. para más informaciones, llama a lon al 1-877-671-7011

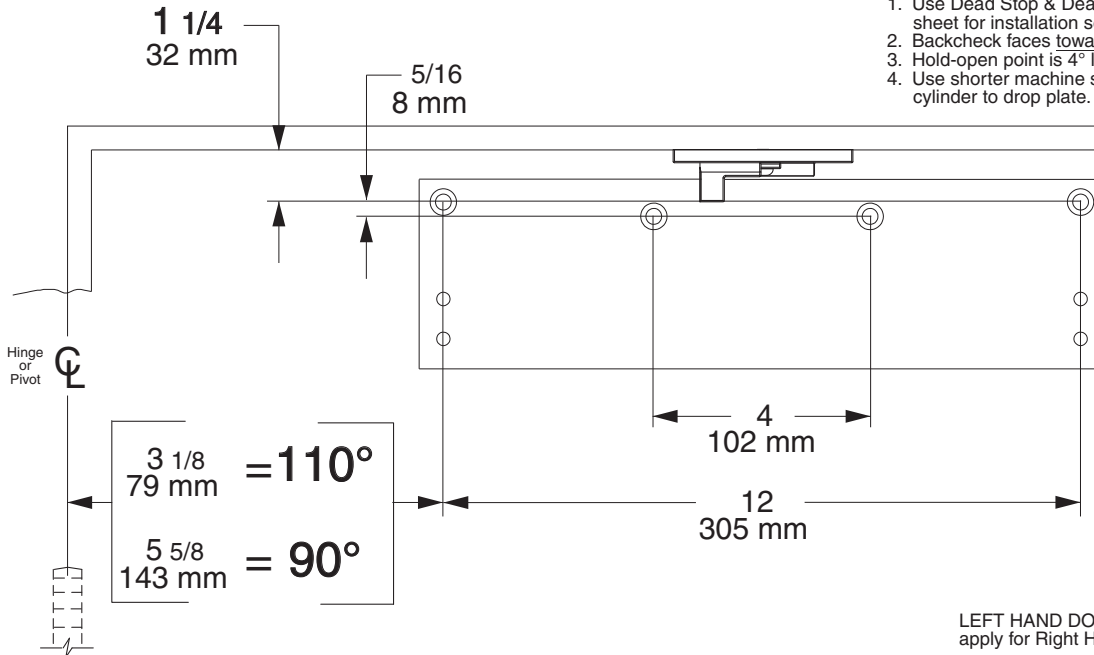
PLATE FASTENERS		DOOR / FRAME	DRILL-SIZES
PLATE	 1/4-20 machine	METAL	drill: #7 tap: 1/4-20
	 #14 wood	WOOD	1/8"
CLOSER BODY	 1/4-20 machine	PLATE	N/A

SC80 SERIES Dead Stop (or w/ DS Hold-open) PUSH SIDE (PA DOOR MOUNT) DROP PLATE PERMITS 110° MAX. OPENING, BUTT SIZE 5x5 MAX.



General Notes:

1. Use Dead Stop & Dead Stop Hold Open instruction sheet for installation sequence and closer adjustments.
2. Backcheck faces toward the hinge edge.
3. Hold-open point is 4° less than dead stop point.
4. Use shorter machine screws to attach cylinder to drop plate.

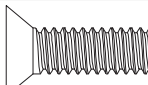
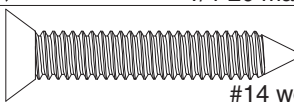
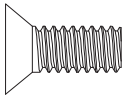


LEFT HAND DOOR ILLUSTRATED. Same dimensions apply for Right Hand Door measured from hinge side.

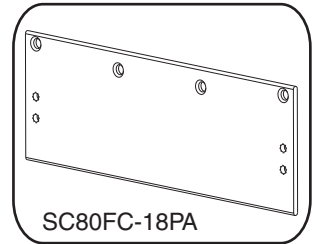
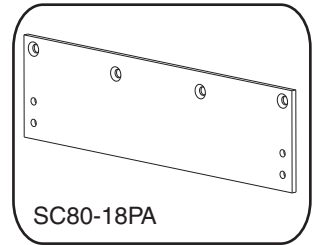
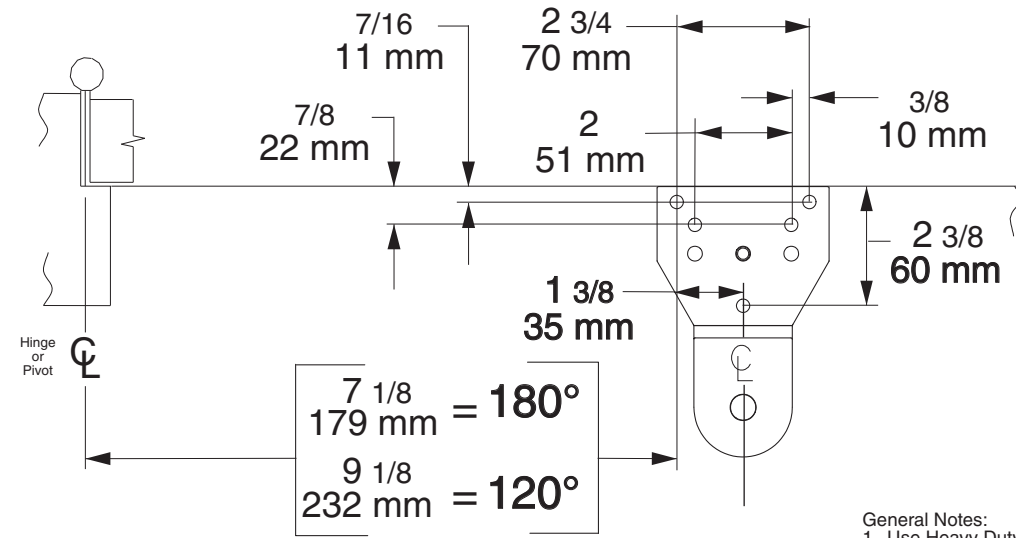
CAUTION
 IMPROPER INSTALLATION OR REGULATION MAY RESULT IN PERSONAL INJURY OR PROPERTY DAMAGE. FOLLOW ALL INSTRUCTIONS CAREFULLY. FOR QUESTIONS, CALL FALCON AT 1-877-671-7011.

DANGER
 Une installation ou un réglage inadéquats peuvent entraîner des blessures ou des dommages. Veuillez suivre toutes les instructions avec soin. Pour plus de renseignements, composez le 1-877-671-7011

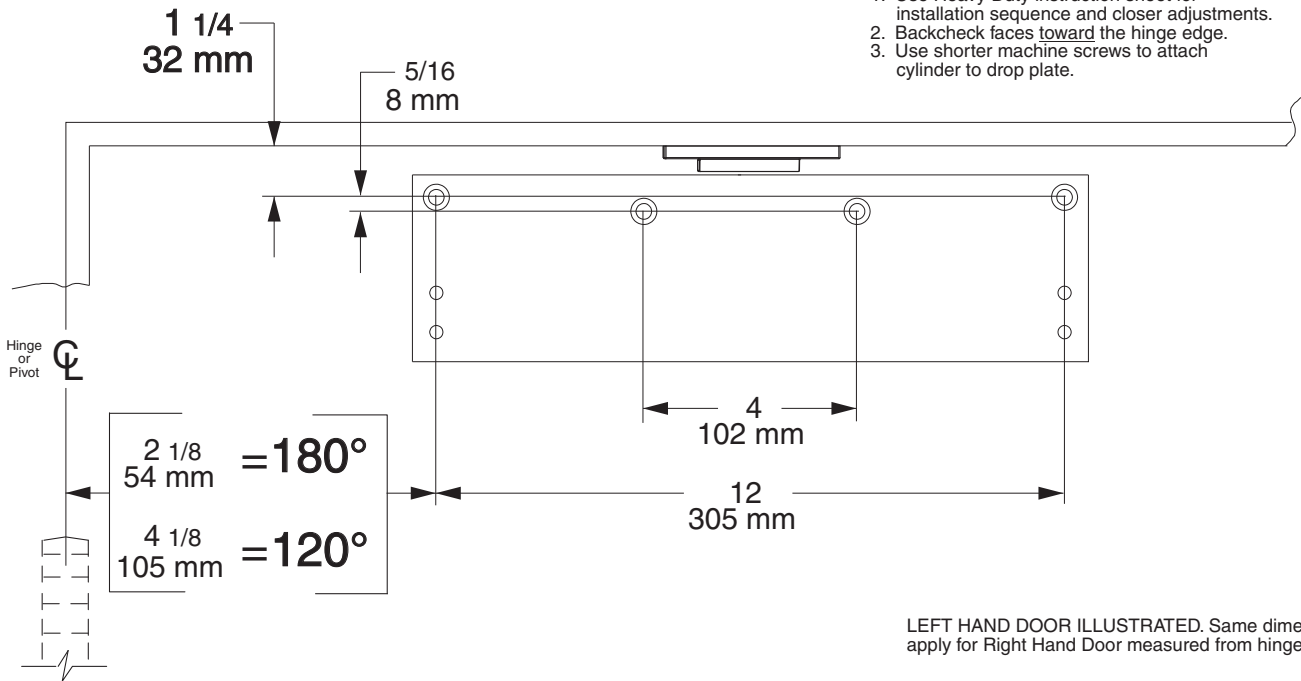
ADVERTENCIA
 Una instalación o un ajuste incorrectos pueden resultar en daño personal o material. Siga bien todas las instrucciones. para más informaciones, llama a lcn al 1-877-671-7011

PLATE FASTENERS		DOOR / FRAME	DRILL-SIZES
PLATE	 1/4-20 machine	METAL	drill: #7 tap: 1/4-20
	 #14 wood	WOOD	1/8"
CLOSER BODY	 1/4-20 machine	PLATE	N/A

SC80 SERIES Heavy Duty PUSH SIDE (PA DOOR MOUNT) DROP PLATE PERMITS 180° MAX. OPENING, BUTT SIZE 5x5 MAX.



- General Notes:
1. Use Heavy Duty instruction sheet for installation sequence and closer adjustments.
 2. Backcheck faces toward the hinge edge.
 3. Use shorter machine screws to attach cylinder to drop plate.

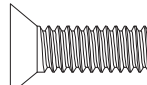
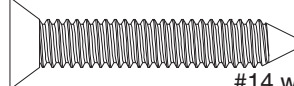
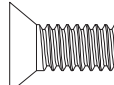


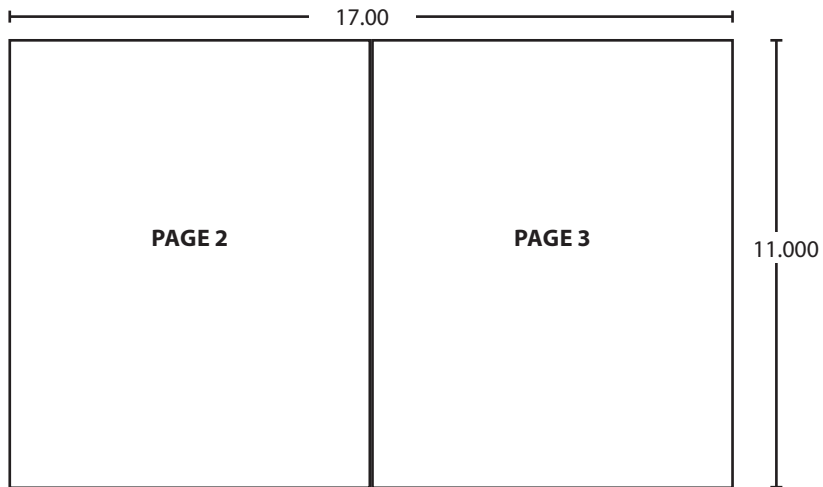
LEFT HAND DOOR ILLUSTRATED. Same dimensions apply for Right Hand Door measured from hinge side.

CAUTION
 IMPROPER INSTALLATION OR REGULATION MAY RESULT IN PERSONAL INJURY OR PROPERTY DAMAGE. FOLLOW ALL INSTRUCTIONS CAREFULLY. FOR QUESTIONS, CALL FALCON AT 1-877-671-7011.

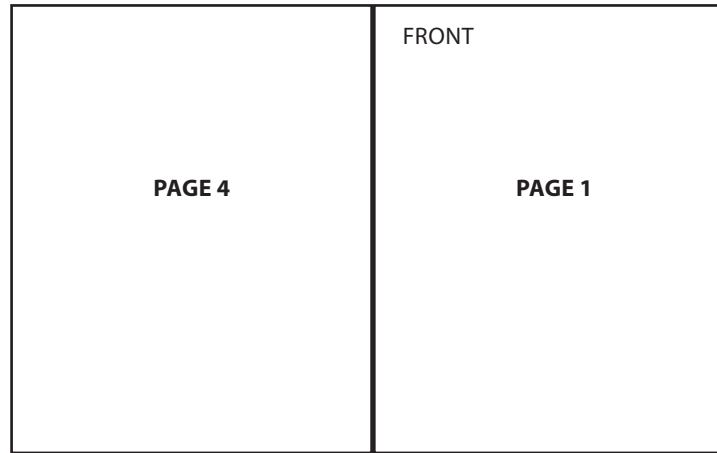
DANGER
 Une installation ou un réglage inadéquats peuvent entraîner des blessures ou des dommages. Veuillez suivre toutes les instructions avec soin. Pour plus de renseignements, composez le 1-877-671-7011

ADVERTENCIA
 Una instalación o un ajuste incorrectos pueden resultar en daño personal o material. Siga bien todas las instrucciones. para más informaciones, llama a lcn al 1-877-671-7011

PLATE FASTENERS		DOOR / FRAME	DRILL-SIZES
PLATE	 1/4-20 machine	METAL	drill: #7 tap: 1/4-20
	 #14 wood	WOOD	1/8"
CLOSER BODY	 1/4-20 machine	PLATE	N/A



BEGINNING SHEET



FOLDED SHEET

Additional Notes:
1. None

Revision History						Revision Description: G > Revised artwork					
B	C	D	E	F	G						
N/A	N/A	N/A	N/A	N/A	043812						
Material						Edited By		Approved By		EC Number	Release Date
White Paper						D. Myers		M. Sasso		043812	01-01-14
Notes						Title					
1. printed two sides						SC80 Series Drop Plate Instruction Sheet					
2. printed black						Creation Date		Number		Revision	
3. tolerance ± .13						04-27-10		42921		G	
4. printed in country may vary						Created By		Activity		© Allegion 2014	
5. drawings not to scale						N/A		3899 Hancock Expwy Security, CO 80911			
						Software: InDesign CS6					