



829310-00

VR810-V/VR814-V

IVES

Vandal Resistant Trim

Installation Instructions

For use with Falcon 25-R and 25-V Exit Devices

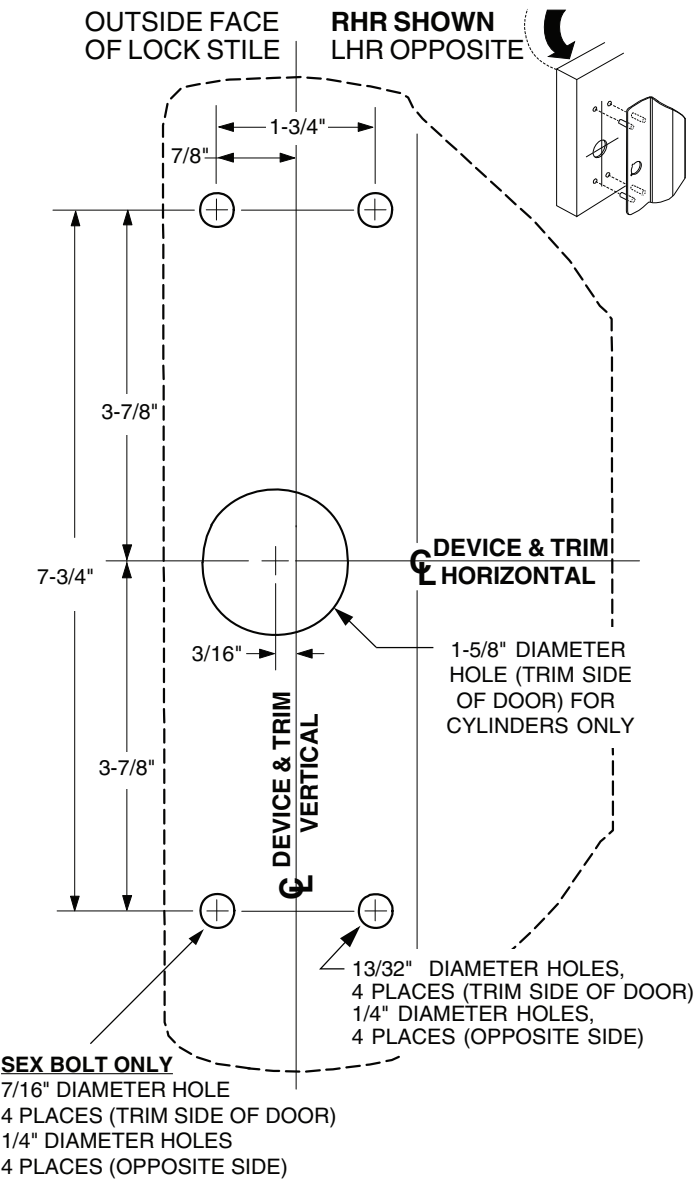
1 Prepare push side of door for exit device.

① See exit device instructions for preparation.

2 Prepare pull side of door for trim.

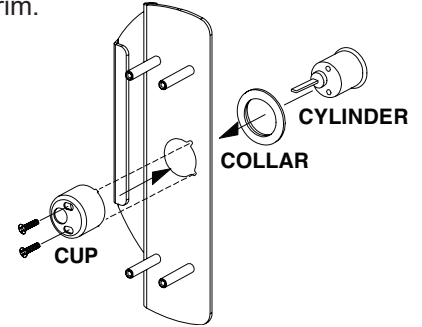
2a Transfer vertical and horizontal device center lines from push side of door to pull side.

2b Locate and prepare all holes as indicated below.

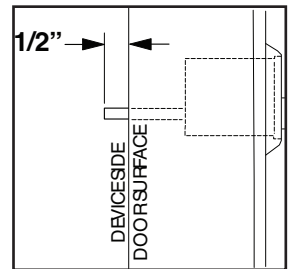


3 If using a cylinder:

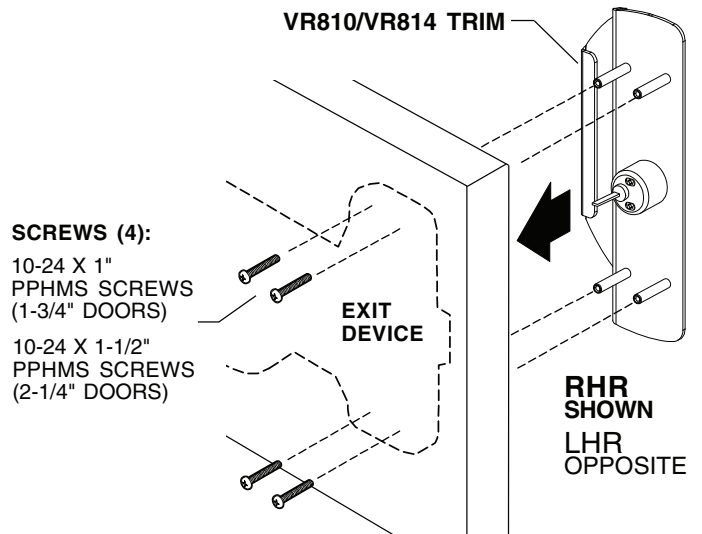
3a Secure cylinder to trim.



3b Place trim on door and cut cylinder tailpiece so it projects 1/2" out of door.



4 Install exit device and trim.



SEX BOLT ONLY

- HOLD TRIM UP AGAINST DOOR AND INSERT SEX BOLT THRU TRIM AND DOOR UP TO KNURLING ON SEX BOLT.
- HAMMER SEX BOLT UNTIL BACK OF BOLT HEAD IS FLUSH WITH TRIM SURFACE.
- REPEAT FOR REMAINING 3 SEX BOLTS.

Customer Service

1-877-671-7011

www.allegion.com/us



© Allegion 2020
Printed in U.S.A.
829310-00 Rev. 09/20-d