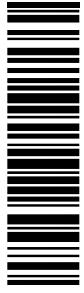


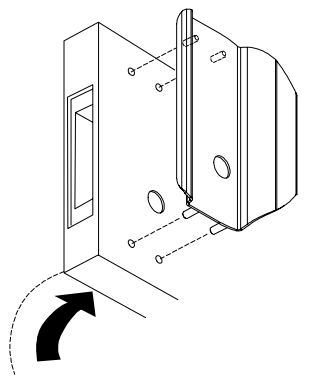
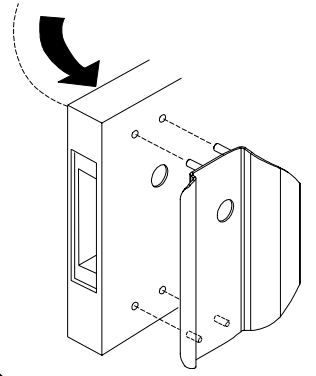
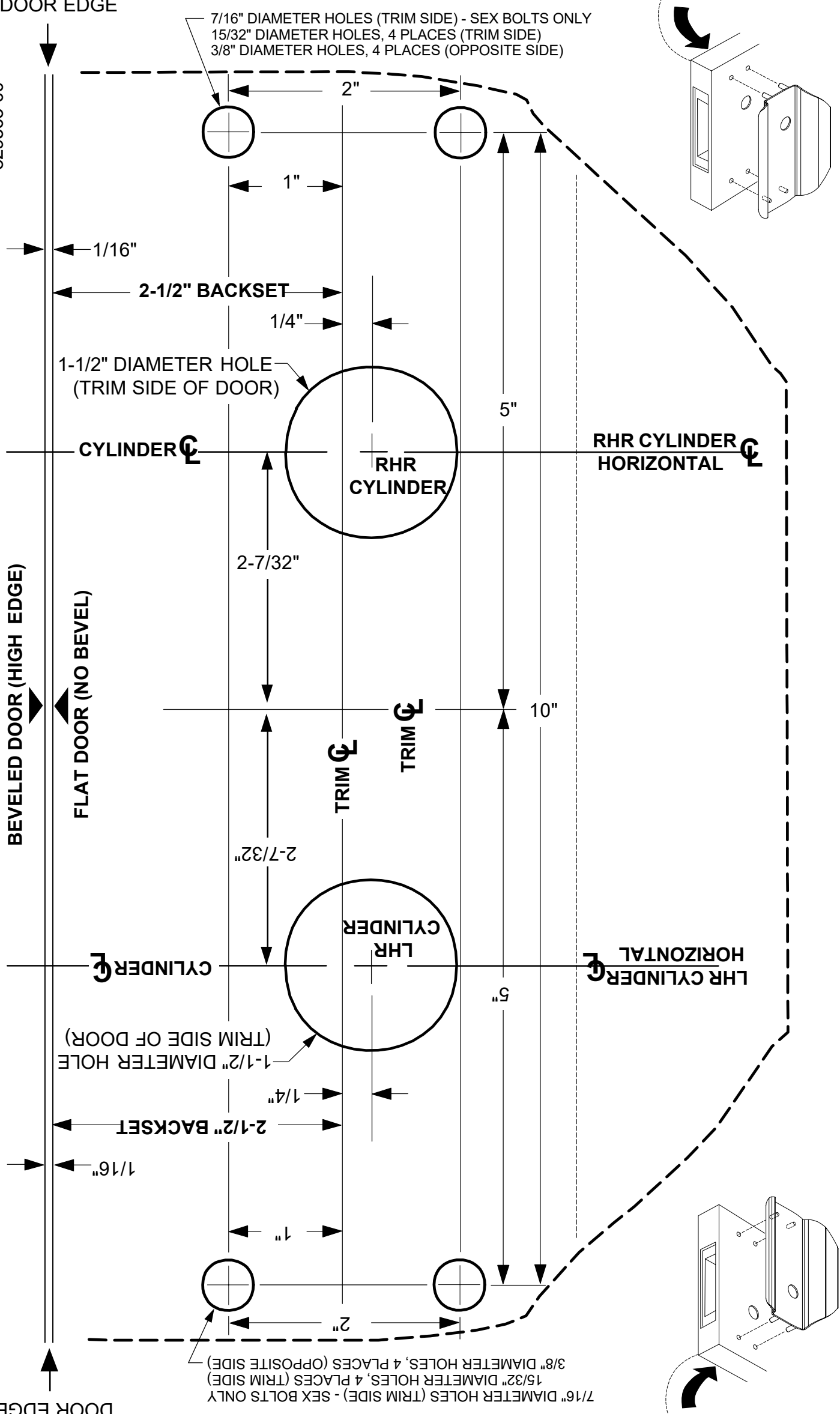
FOLD ON APPROPRIATE  
LINE AND PLACE ON  
DOOR EDGE



# VR900/VR904 TEMPLATE RHR



829563-00



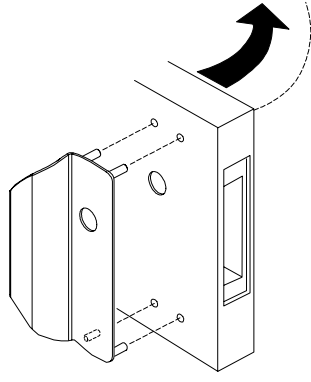
© 2020 Allegion  
829563-00 Rev. 09/20-f

FOLD ON APPROPRIATE  
LINE AND PLACE ON  
DOOR EDGE

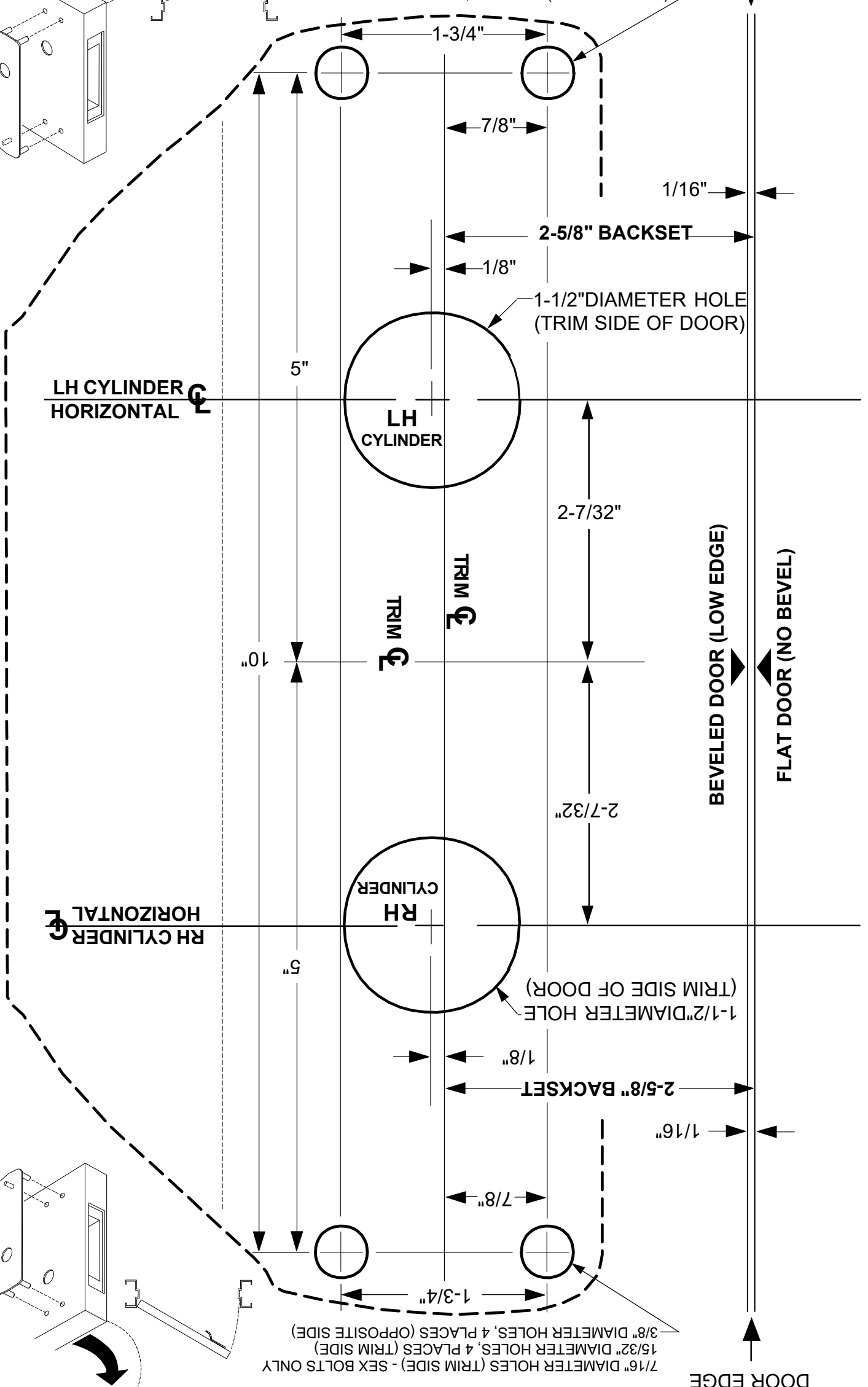
# VR900/VR904 TEMPLATE LHR

# LH VR900LLP/VR904LLP TEMPLATE

FOLD ON APPROPRIATE LINE AND PLACE ON DOOR EDGE



7/16" DIAMETER HOLES (TRIM SIDE) - SEX BOLTS ONLY  
 15/32" DIAMETER HOLES, 4 PLACES (TRIM SIDE)  
 3/8" DIAMETER HOLES, 4 PLACES (OPPOSITE SIDE)



LH CYLINDER HORIZONTAL

LH CYLINDER

RH CYLINDER HORIZONTAL

RH CYLINDER

TRIM

TRIM

BEVELED DOOR (LOW EDGE)

FLAT DOOR (NO BEVEL)

7/16" DIAMETER HOLES (TRIM SIDE) - SEX BOLTS ONLY  
 15/32" DIAMETER HOLES, 4 PLACES (TRIM SIDE)  
 3/8" DIAMETER HOLES, 4 PLACES (OPPOSITE SIDE)

FOLD ON APPROPRIATE LINE AND PLACE ON DOOR EDGE

# RH VR900LLP/VR904LLP TEMPLATE

