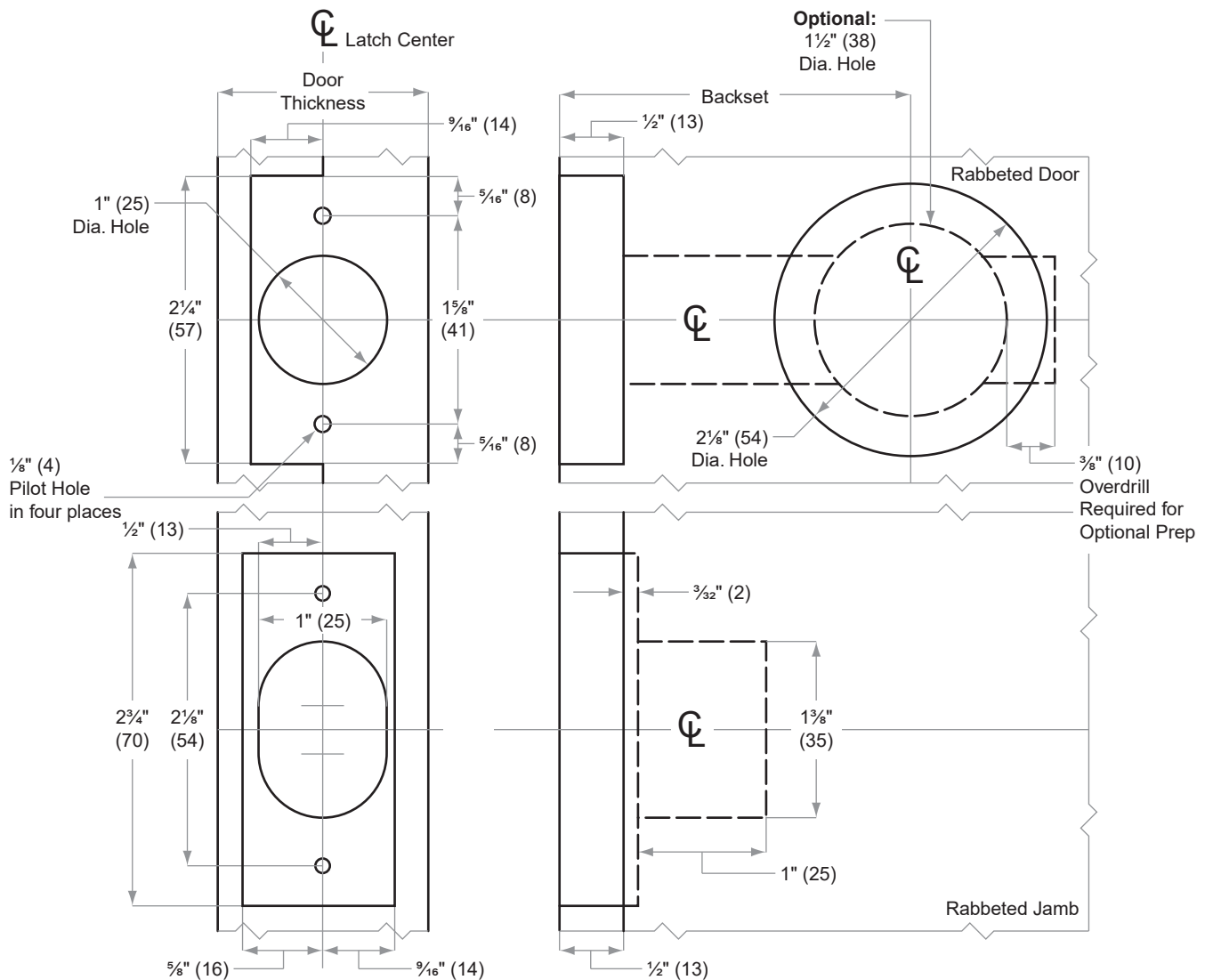




B600/700/800-Series

Models B660/661/662/663, B760/761/762/763, B860/861/862/863

- Door Type:** Wood or Composite, rabbeted, flat
- Door Thickness:** 1 1/8" (35 mm)–2 1/2" (64 mm)
- Faceplate:** Square Corner, 1 1/8" (29 mm) wide, 1/2" (6 mm) rabbeted and strike
- Backsets:** 2 3/8" (60 mm), 2 3/4" (70 mm), 3 3/4" (95 mm), 5" (127 mm)



2 1/8" bore required with indicator trim

Dimensions shown in parentheses () are in millimeters.

Door preparation template