



48026818

7847WDC

VON DUPRIN®

Concealed Vertical Rod Exit Device for Wood Door Applications

Installation Instructions

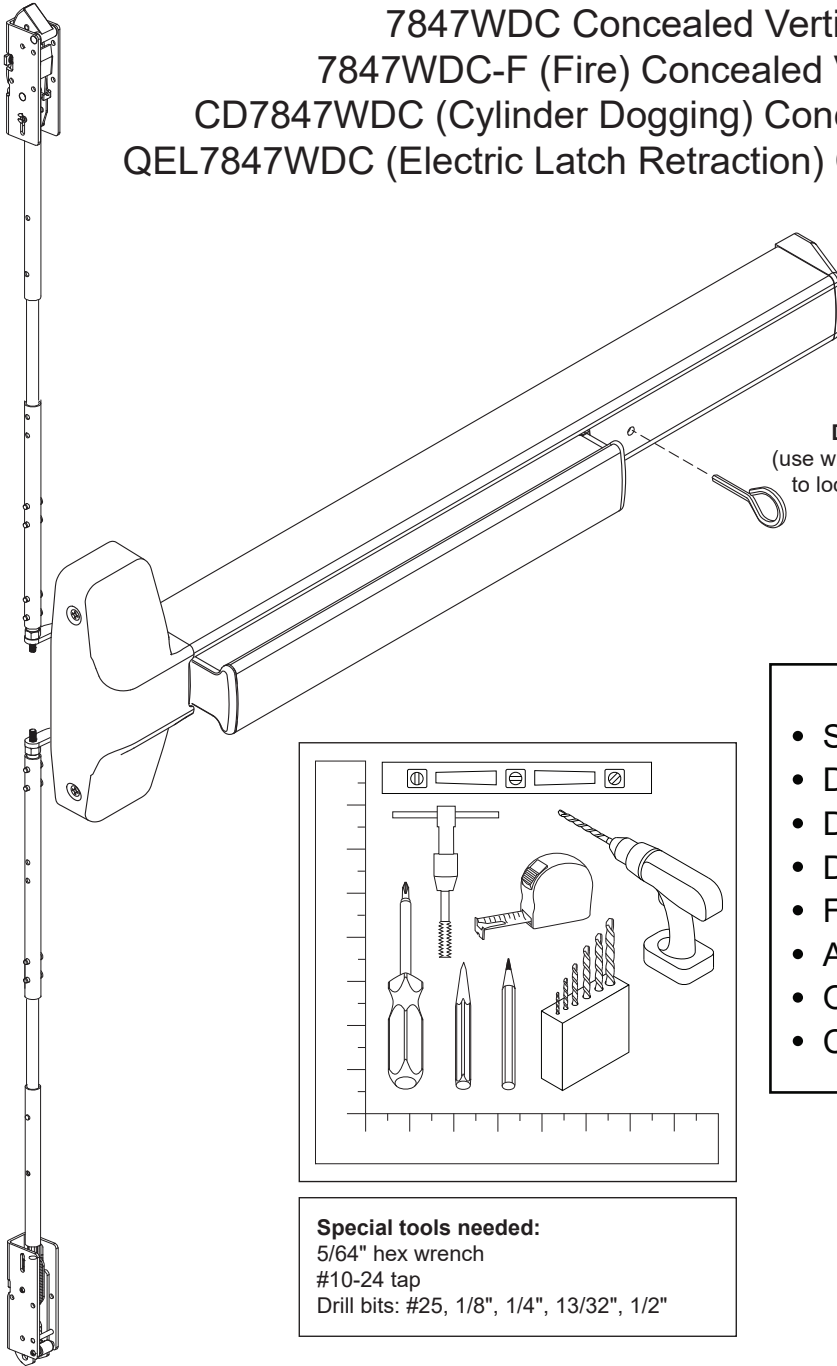
Devices covered by these instructions:

7847WDC Concealed Vertical Rod Device

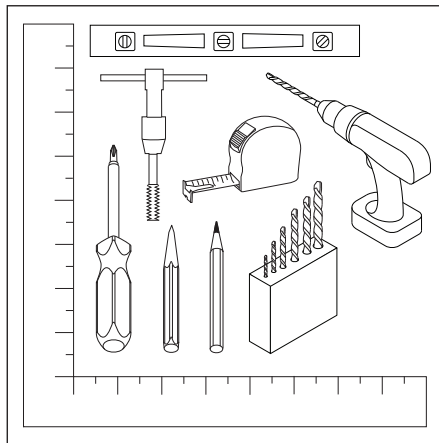
7847WDC-F (Fire) Concealed Vertical Rod Device

CD7847WDC (Cylinder Dogging) Concealed Vertical Rod Device

QEL7847WDC (Electric Latch Retraction) Concealed Vertical Rod Device



Dogging Key
(use with non-fire devices
to lock down pushbar)



Special tools needed:
5/64" hex wrench
#10-24 tap
Drill bits: #25, 1/8", 1/4", 13/32", 1/2"

Index:

- Screw chart 2
- Device installation 3-5
- Door preparation chart 6
- Door routing instructions 7
- Frame preparation chart 8
- Adjust rods 9
- Optional equipment 10
- Cut device 11

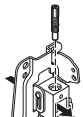
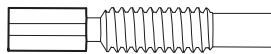
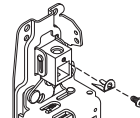
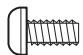
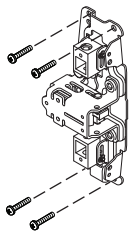
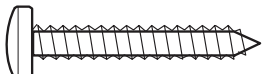
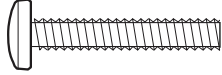
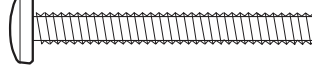

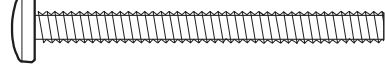
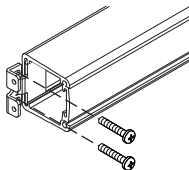
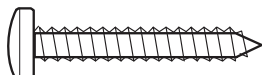
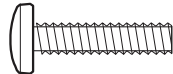
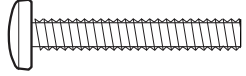

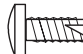
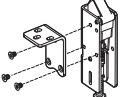

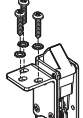
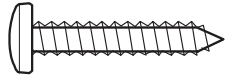

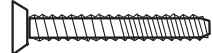
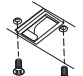
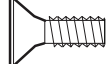

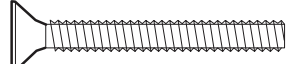

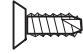
Customer Service

1-877-671-7011 www.allegion.com/us



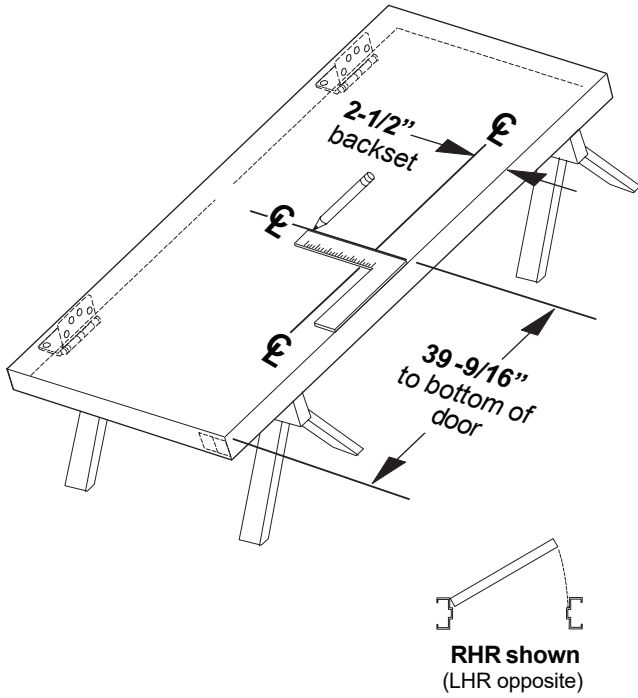
© Allegion 2024
Printed in U.S.A.
48026818 Rev. 04/24-a

SCREW CHART

A			Rod adjustment screw
B		 #8-32 X 5/16"	Rod locking screw
C		 #10 X 1-1/4" Wood screw  #10-24 X 1"  #10-24 X 1-1/2" - Packaged with trim -  #10-24 X 1-3/8"  #10-24 X 1-7/8"	Surface mount (WDC) Sexbolts (1-3/4" door) Sexbolts (2-1/4" door) 785 trims (1-3/4" door) 785 trims (2-1/4" door)
D		 #10 X 1-1/4" Wood screw  #10-24 X 3/4"  #10-24 X 1-1/8"	Surface mount (WDC) Sex bolts (1-3/4" door) Sex bolts (2-1/4" door)
E		 #10-16 X 3/8" Thread cutting	End cap screw
F		 #10-32 X 1/4"	Bracket screw
G		 #10 X 1" Wood screw	Bracket to door screw
H		 #8-16 X 8-32 X 1"	Cover plate screw
I		 #10-24 X 1/2"	338 strike screw
J		 #10-24 X 1-1/2"	Ratchet release screw
K		 #8-18 X 3/8" Thread cutting	Center case cover screw

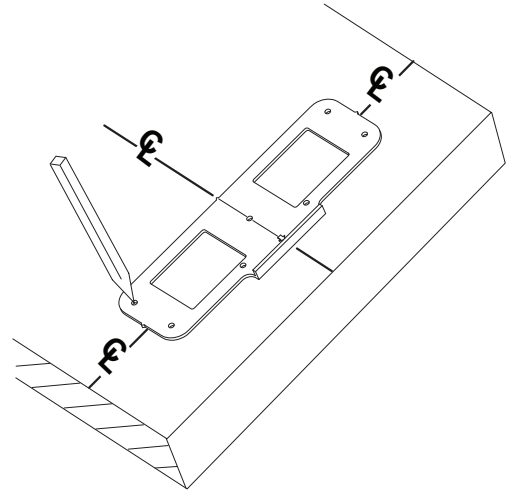
1

Draw horizontal and vertical device center lines (☉).



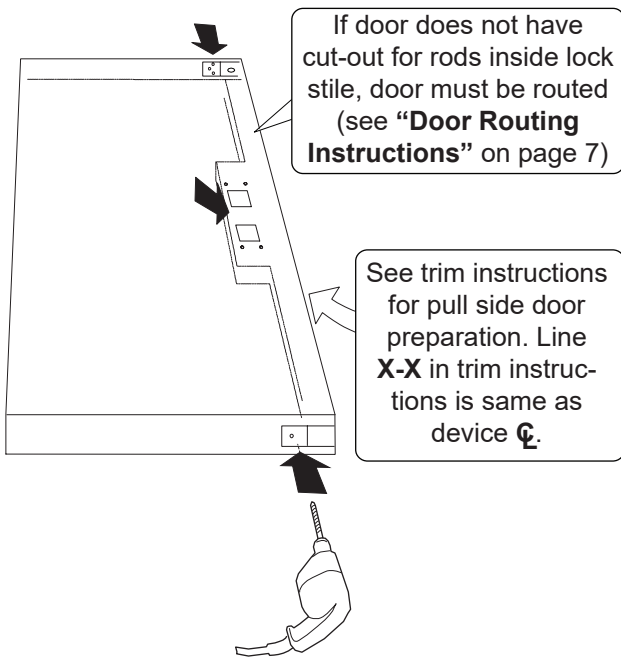
2

Align template along center lines and mark holes and cut-outs.



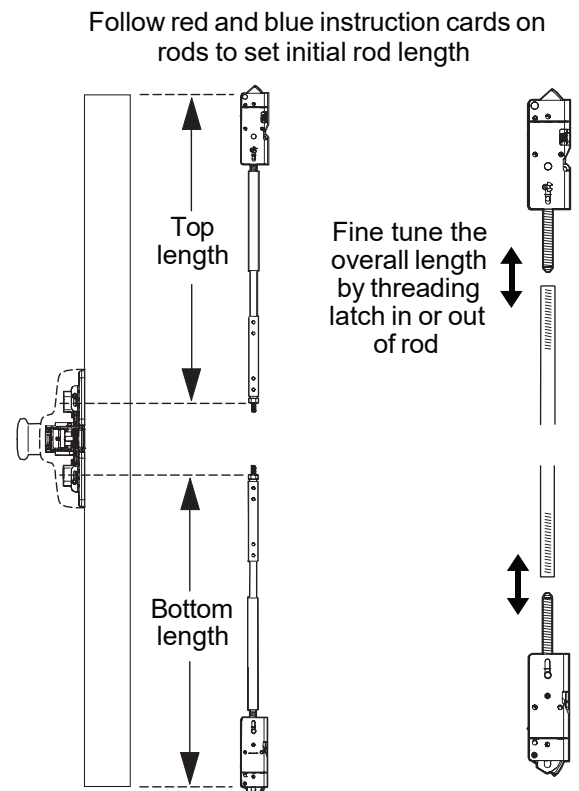
3

Prepare door per preparation chart on page 6.



4

Assemble rods and latches and adjust length for proper door height.

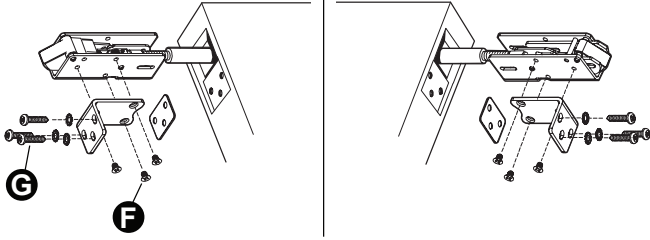


5

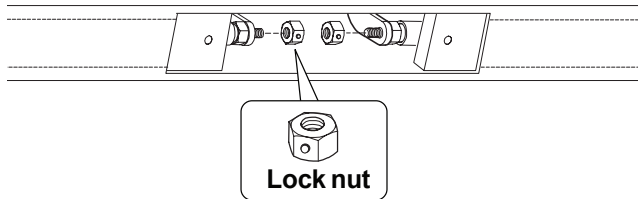
Secure latches and rods into door as shown and attach offset links.

Top latch & rod

Bottom latch & rod



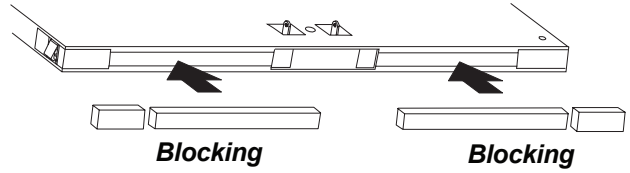
Offset link



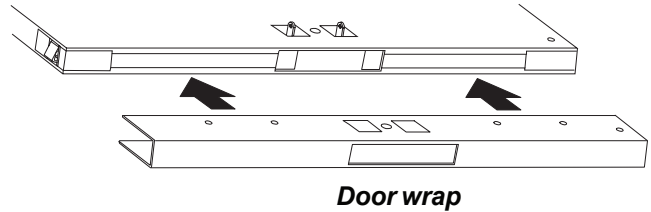
6

Install blocking and door wrap (if using door wrap).

NOTE: If not using door wrap, the blocking can be installed after device is installed.



See page 7 for blocking dimensions

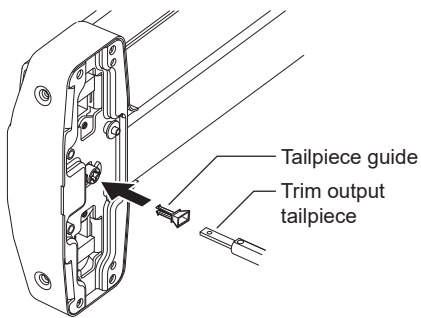


Optional- to be used on fire doors only, not supplied by Von Duprin

7

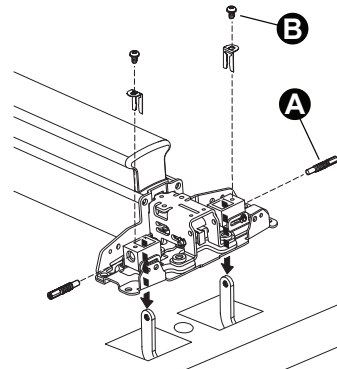
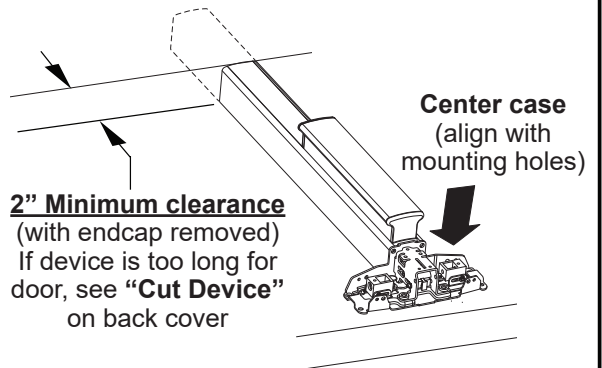
If using a cylinder with a tailpiece, prepare device and cylinder.

a. Install tailpiece guide.



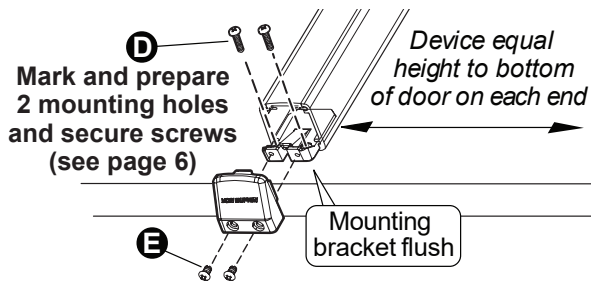
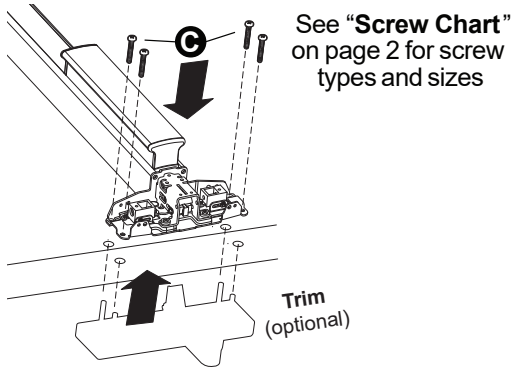
8

Check device length and attach device center case to two offset links as shown.



9

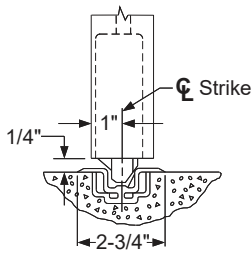
Secure device to door.



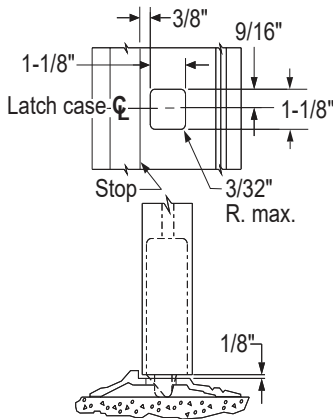
11

Install bottom strike or prepare threshold.

385-A Bottom strike

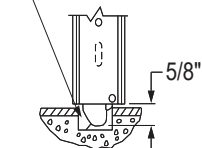


Threshold application



Flat threshold application

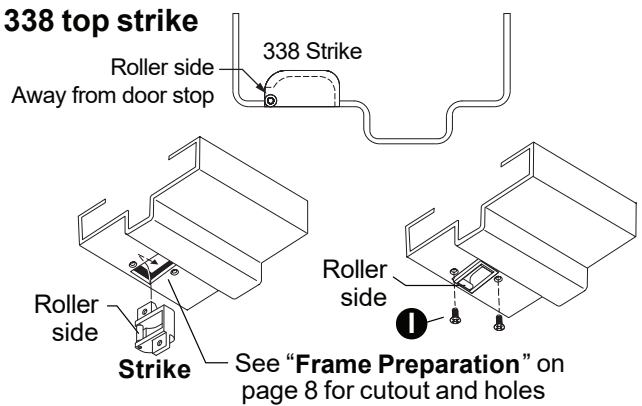
Remove material as necessary to accommodate 5/8" latch bolt throw



10

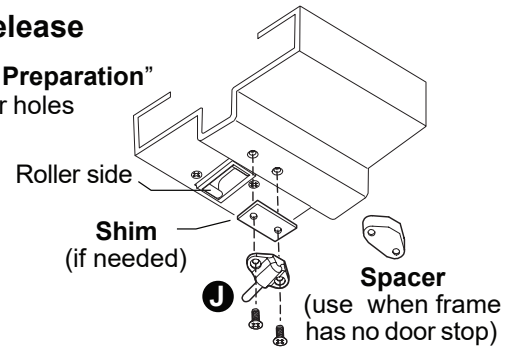
Hang door on frame and install top strike and ratchet release.

338 top strike



Ratchet release

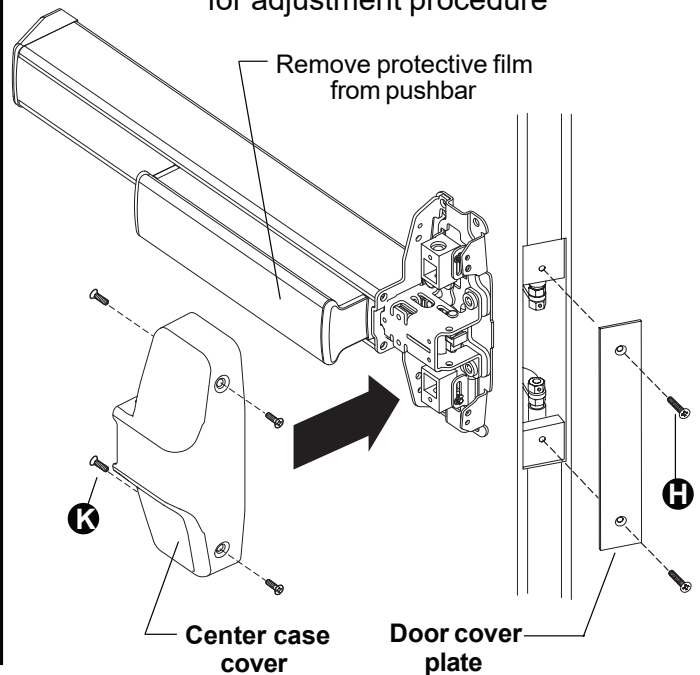
See "Frame Preparation" on page 8 for holes



12

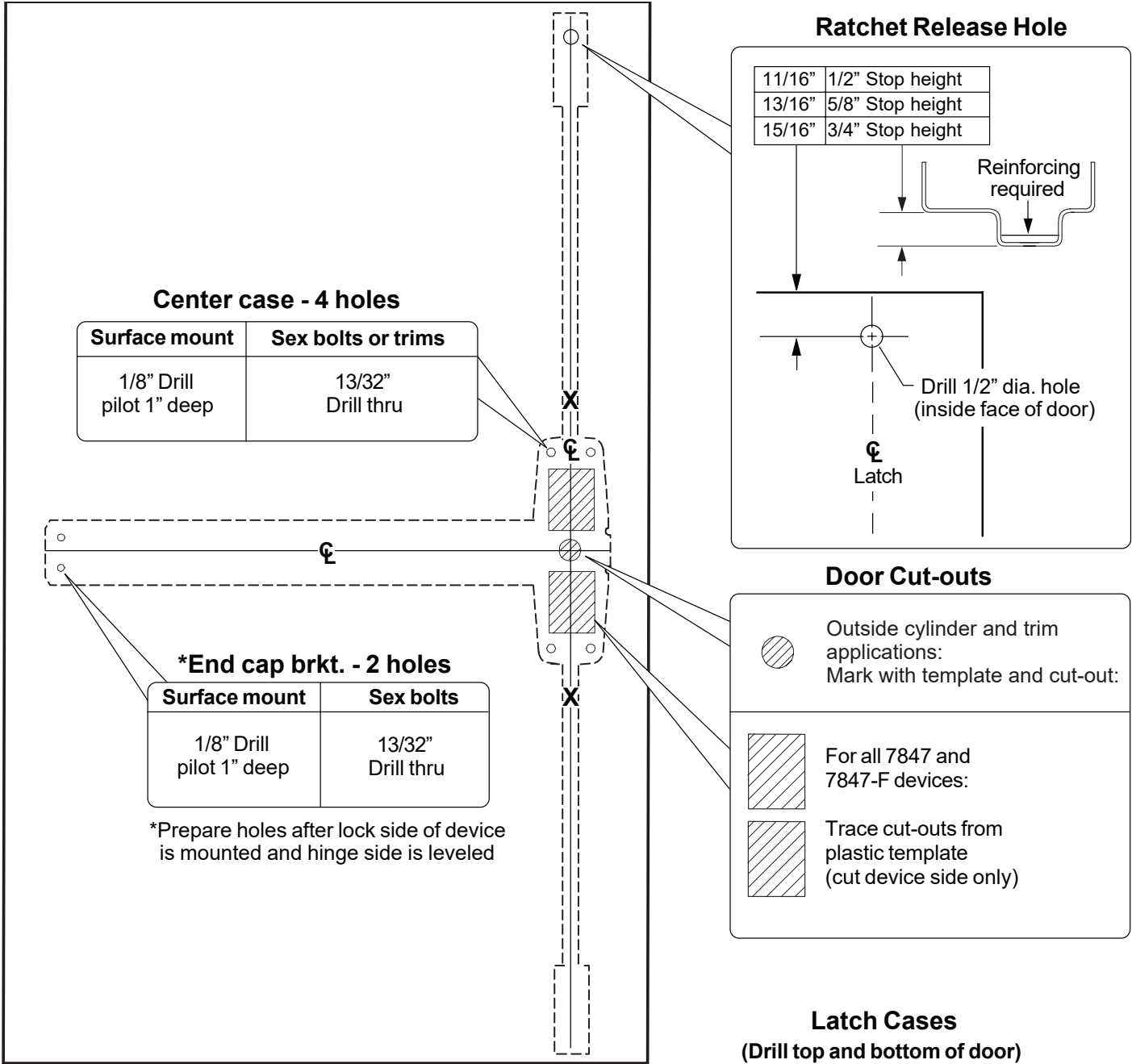
Adjust rods and install center case cover and door cover plate.

See "Adjust Rods" on page 9 for adjustment procedure

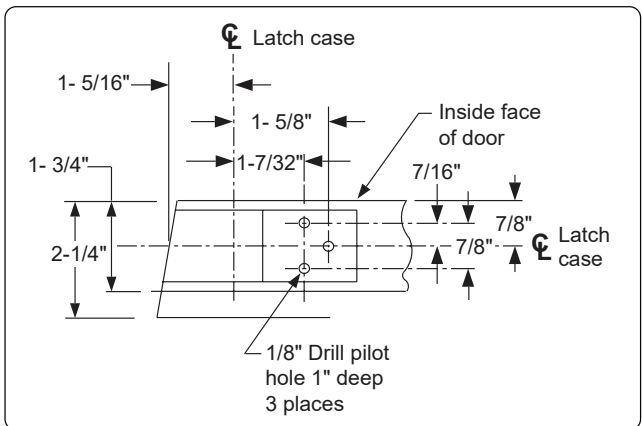


DOOR PREPARATION CHART

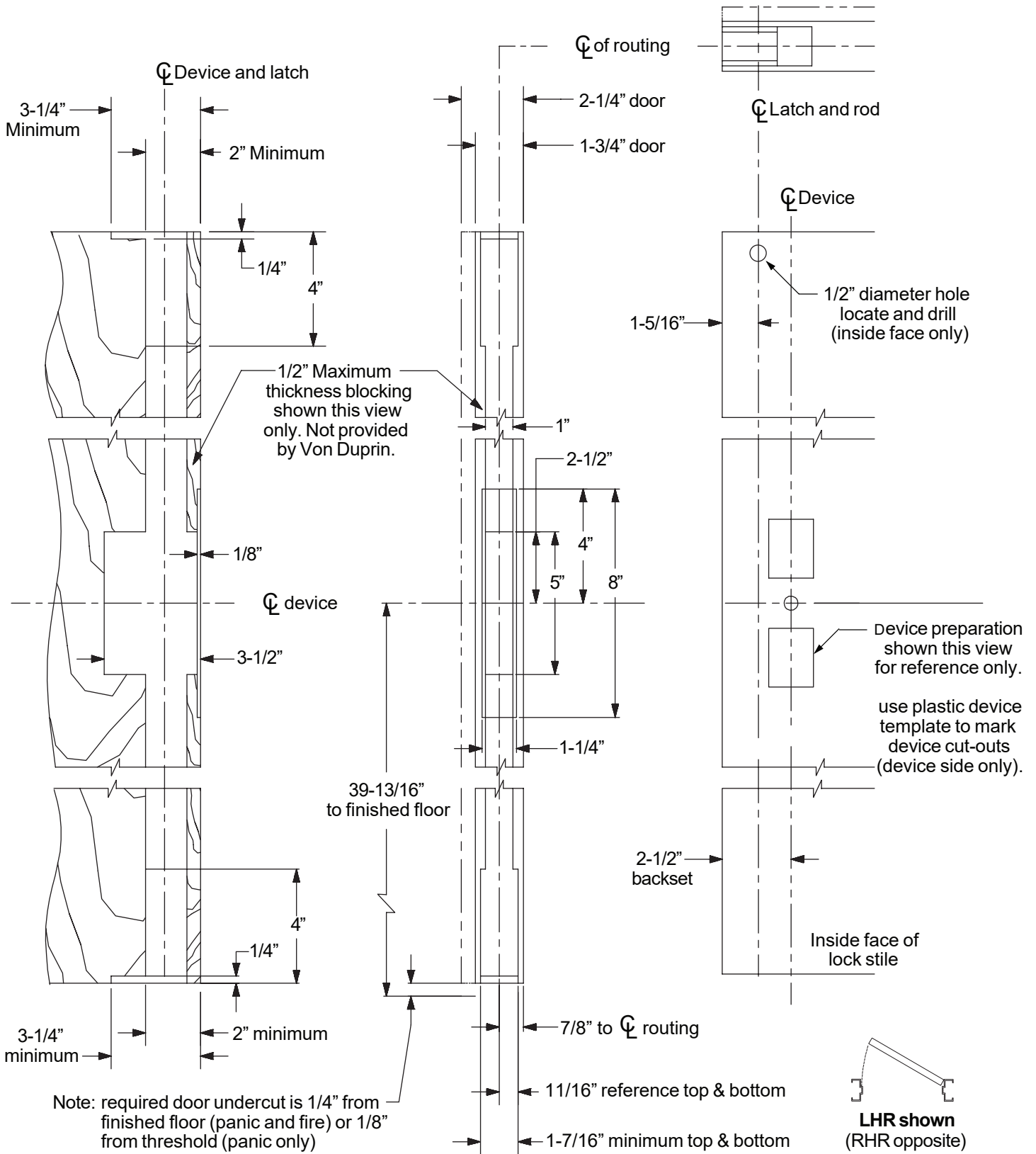
Prepare all holes and cutouts shown if they are not already present on door



Latch Cases (Drill top and bottom of door)

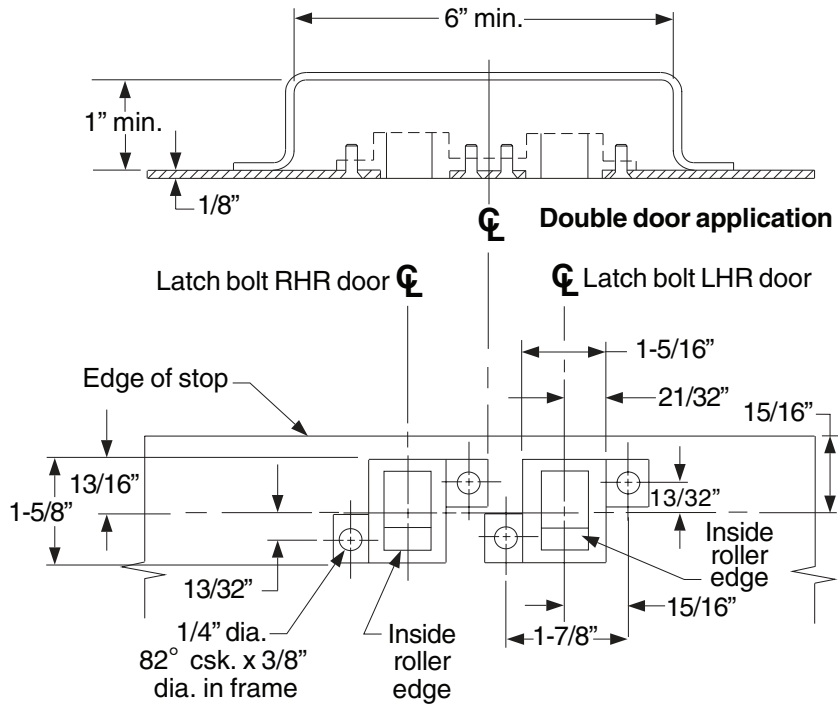


DOOR ROUTING INSTRUCTIONS

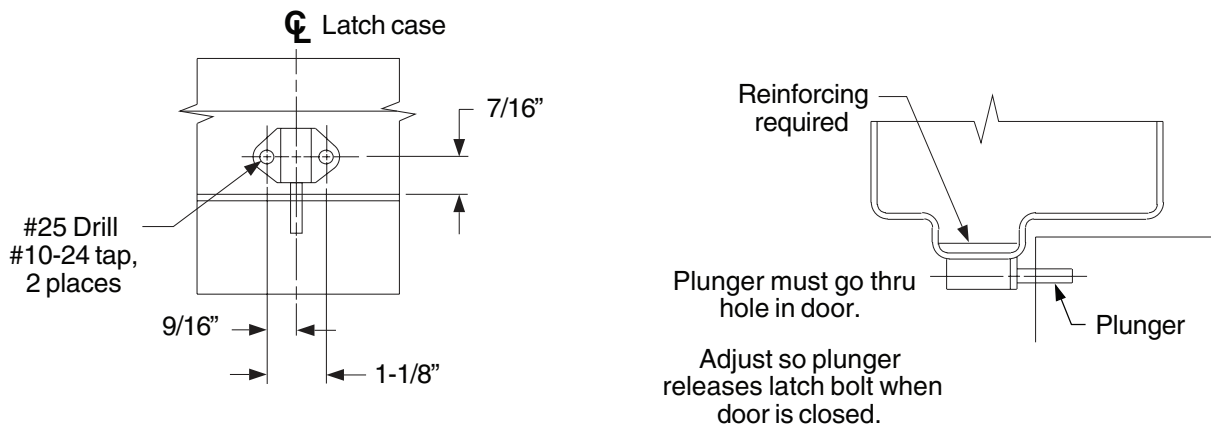


FRAME PREPARATION

338 Top strike



Ratchet release



ADJUST RODS

1. Open door and release top latch bolt as shown (Figure 1).

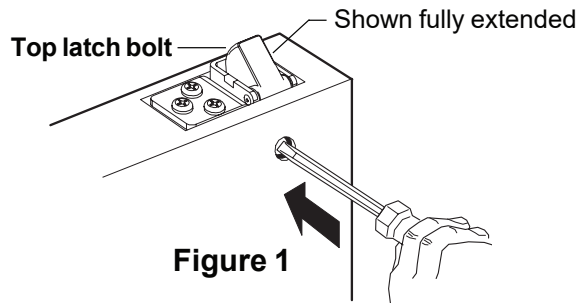


Figure 1

2. Loosen bottom locking screw (Figure 2).
3. Disconnect bottom vertical rod by removing bottom adjusting screw.
4. Loosen top locking screw.
5. Rotate top adjusting screw clockwise until top latch bolt is fully extended (Figure 1).
6. Check top latch bolt for deadlocking (latch bolt should not push in).
7. Turn top locking screw in. Do not over-tighten.

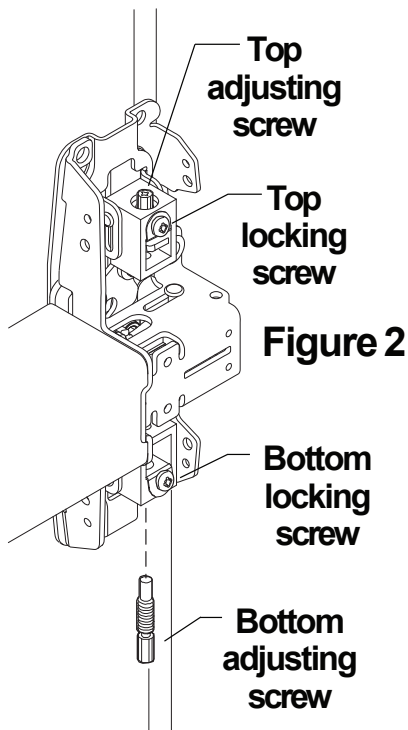


Figure 2

Figure 2

8. Depress pushbar and release.
9. Make sure top latch bolt stays retracted as shown.

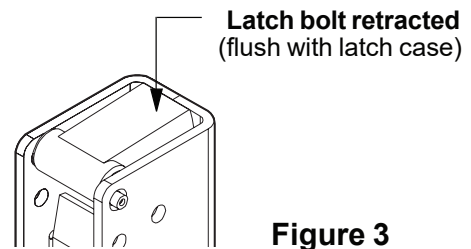


Figure 3

10. Install bottom adjusting screw through bottom rod (Figure 2).
11. With top latch bolt still retracted, adjust bottom rod so latch bolt clears floor and bottom strike.

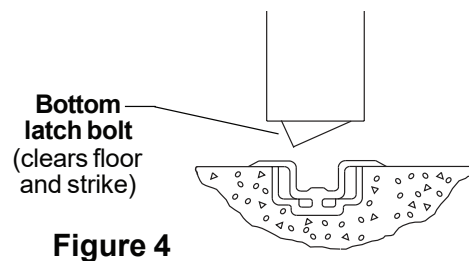


Figure 4

12. Turn bottom locking screw in. Do not over-tighten.
13. Check device operation by opening and closing door several times from the outside.

Redo adjustment procedure if :

- Top latch bolt is not held retracted
- Bottom latch bolt does not clear floor and bottom strike

OPTIONAL EQUIPMENT

CD (CYLINDER DOGGING)

1. Remove mortise cylinder cam and reinstall in reverse (Figure 1).
2. Insert key and rotate cam to install the cylinder to the cover plate (Figure 2).
3. Remove key to slide cover plate in position in the mechanism case.

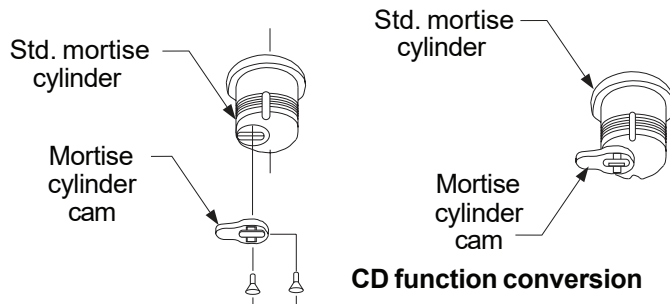


Figure 1

Dogging procedure

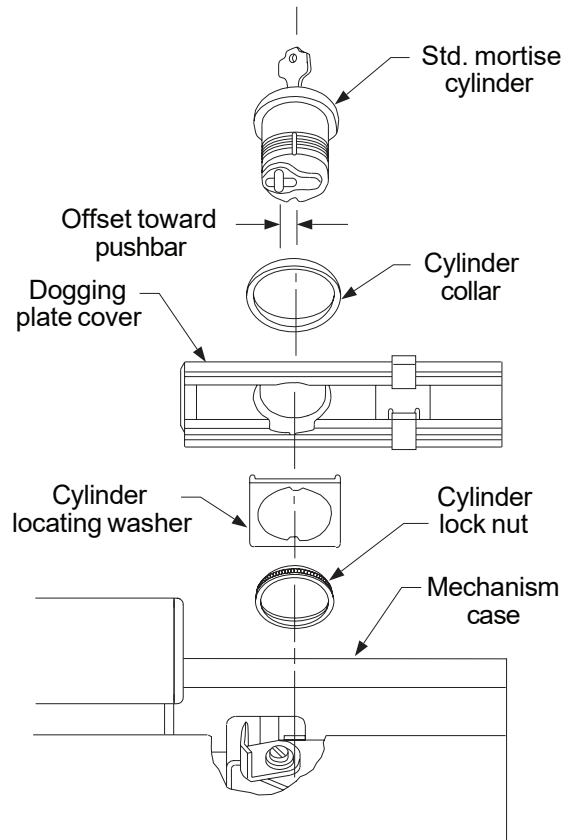
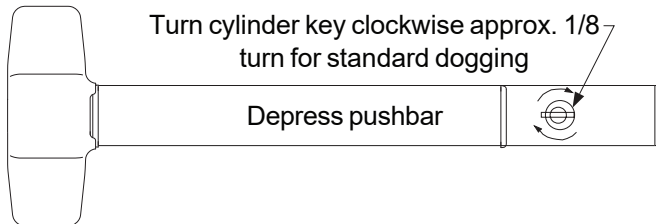
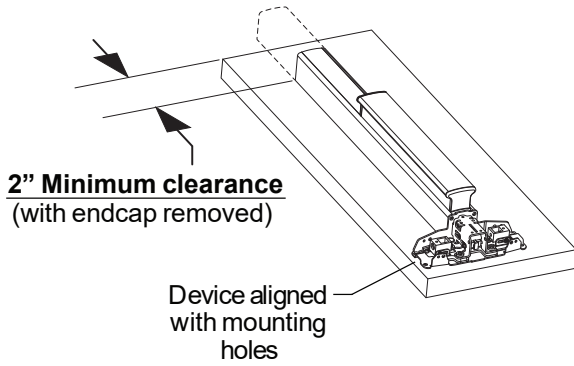


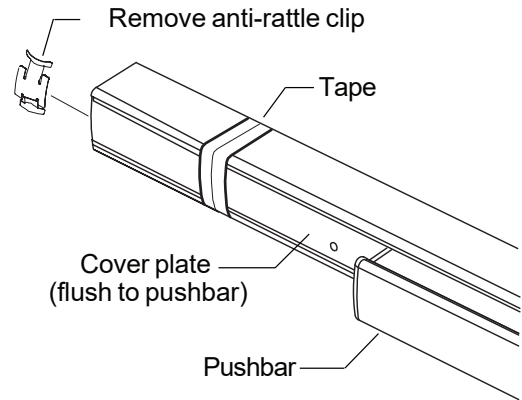
Figure 2

CUT DEVICE

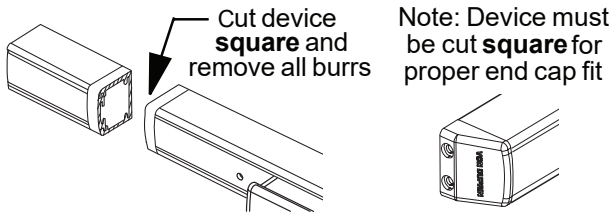
1 Measure amount to cut off device.



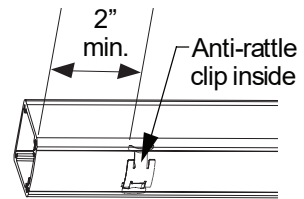
2 Tape and mark area being cut.



3 Cut device square.



4 Slide anti-rattle clip into device.



This page intentionally blank.