



47961351

78 Rim

VON DUPRIN®

Rim Exit Device

Installation Instructions

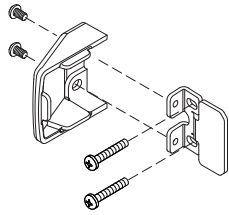
Devices covered by these instructions:

78 Rim Exit Device

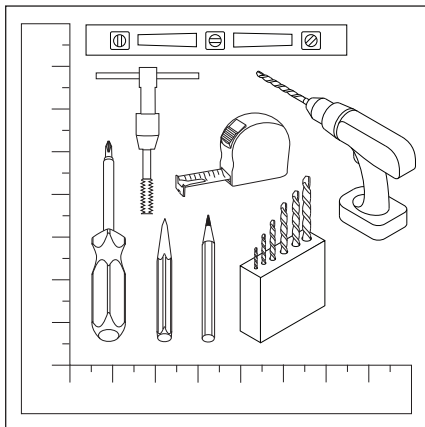
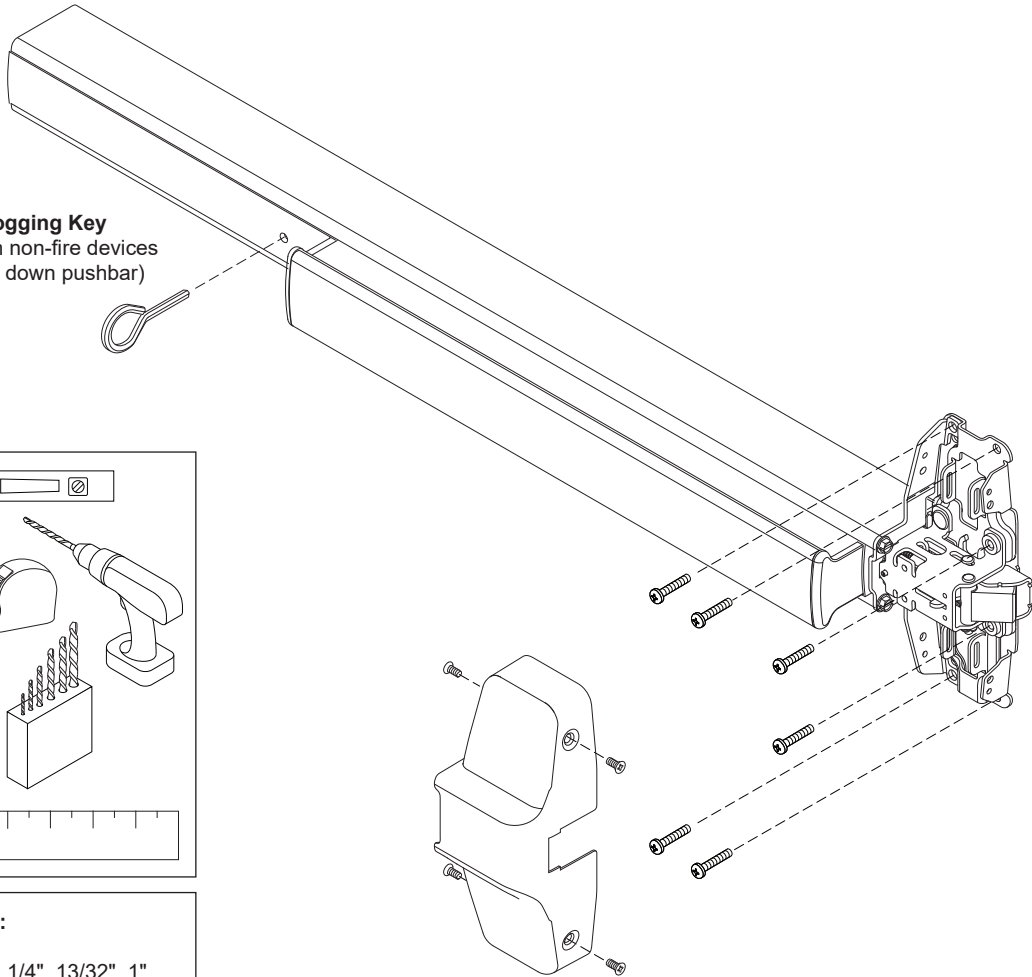
78-F (Fire) Exit Device

CD78 (Cylinder Dogging) Exit Device

QEL78/-F (Electric Latch Retraction) Exit Device



Dogging Key
(use with non-fire devices
to lock down pushbar)



Special tools needed:

#10-24, 1/4"-20 tap

Drill bits: #7, #25, 1/8", 1/4", 13/32", 1"

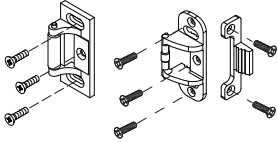
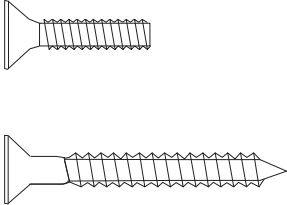
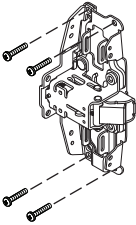
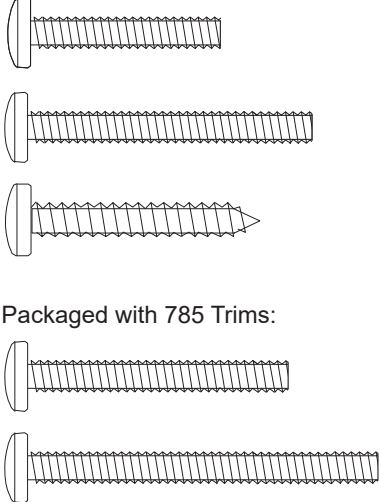
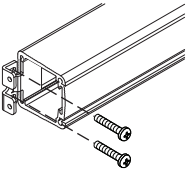
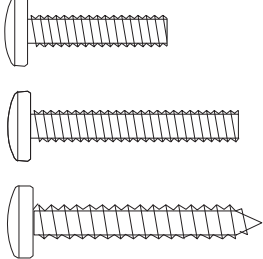
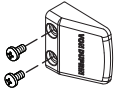
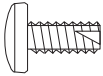
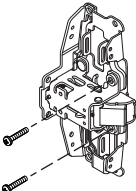
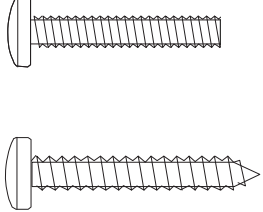
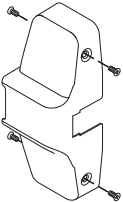



Customer Service

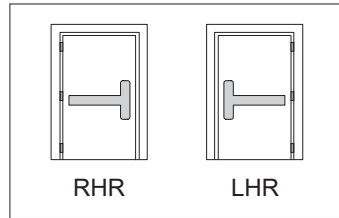
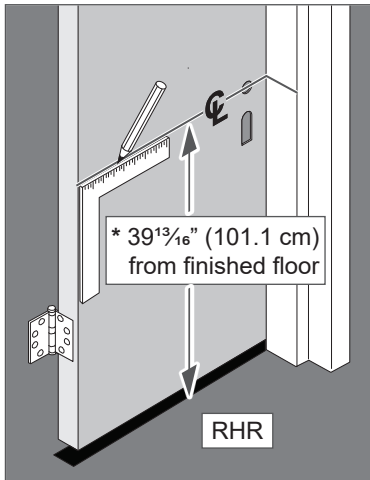
1-877-671-7011 www.allegion.com/us

© Allegion 2024
Printed in U.S.A.
47961351 Rev. 04/24-a

SCREW CHART

Device Subassembly	Screw		Application
<p>A</p>  <p>299 Strike 499F Strike</p>		<p>#10-24 x ¾" (19 mm)</p> <p>#10 x 1½" (38 mm) Wood screw</p>	<p>Metal frame</p> <p>Wood frame</p>
<p>B</p> 	 <p>Packaged with 785 Trims:</p>	<p>#10-24 x 1" (25 mm)</p> <p>#10-24 x 1½" (38 mm)</p> <p>#10 x 1¼" (32 mm) Wood screw</p> <p>#10-24 x 1¾" (35 mm)</p> <p>#10-24 x 1⅞" (48 mm)</p>	<p>Surface mount or Through bolts 1¾" (44 mm) door</p> <p>Through bolts, 2¼" (57 mm) door</p> <p>Surface mount (wood)</p> <p>1¾" (44 mm) door, 785 Trim</p> <p>2¼" (57 mm) door, 785 Trim</p>
<p>C</p> 		<p>#10-24 x ¾" (19 mm)</p> <p>#10-24 x 1⅞" (29 mm)</p> <p>#10 x 1¼" (32 mm) Wood screw</p>	<p>Surface mount or Through bolts 1¾" (44 mm) door</p> <p>Through bolts, 2¼" (57 mm) door</p> <p>Surface mount (wood)</p>
<p>D</p> 		<p>#10-16 x ¾" (10 mm) Thread cutting</p>	<p>End cap</p>
<p>E</p> 		<p>#10-24 x 1" (25 mm)</p> <p>#10 x 1¼" (32 mm) Wood screw</p>	<p>Surface mount (metal)</p> <p>Surface mount (wood)</p>
<p>F</p> 		<p>#8-18 x ¾" (10 mm) Thread cutting</p>	<p>Center case cover</p>

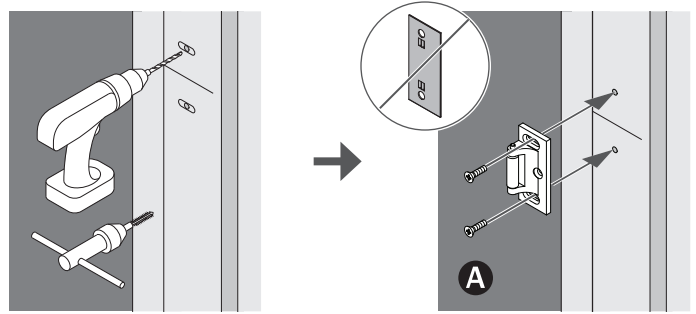
1 Draw horizontal device and strike center lines (C).



* For double doors with a mullion and strike already installed, use existing strike center line.

3 Prepare 2 holes and install 2 screws.

① See "Screw Chart" on previous page for screw types and sizes



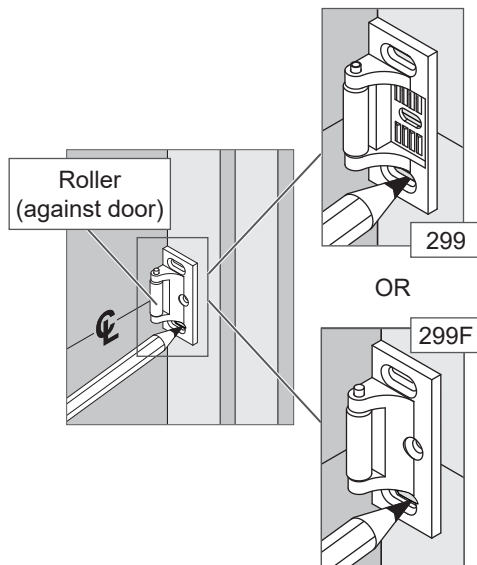
Metal	#25	#10-24

OR

Wood	1/8" (3 mm) x 1" (25 mm) deep

2 Align strike on C and mark the two slotted holes.

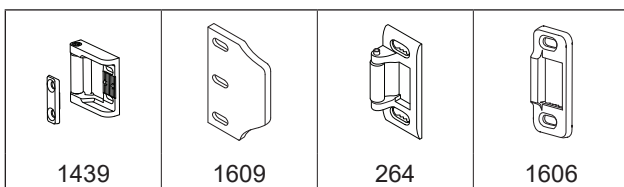
① For 499F strike installation, see page 7.



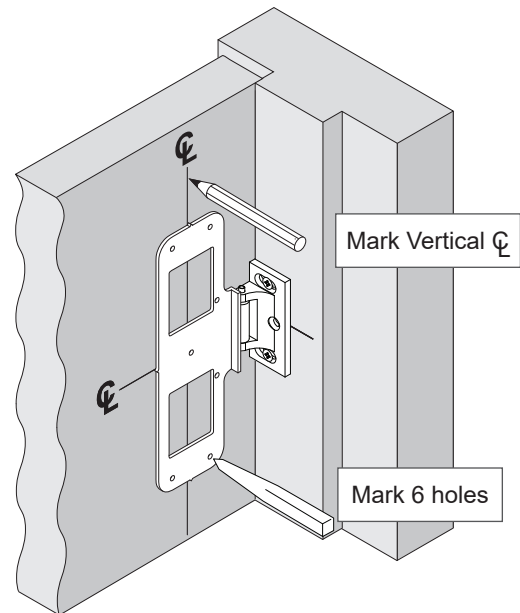
① For online information on the strikes shown below, enter the web address shown.



alle.co/99Rstrikes

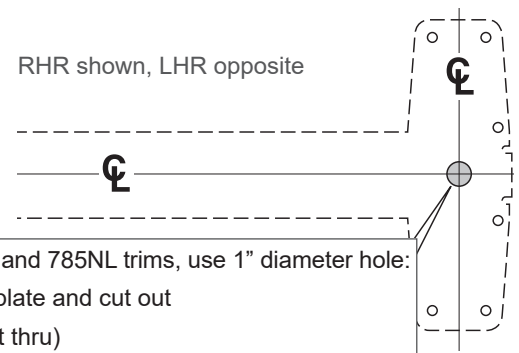


4 Position template against strike and on C and mark door.



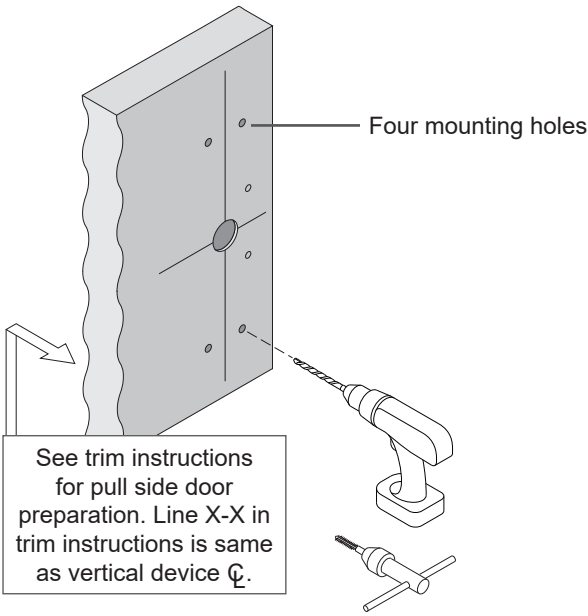
5 If necessary, prepare cutouts for cylinder or trim.

RHR shown, LHR opposite



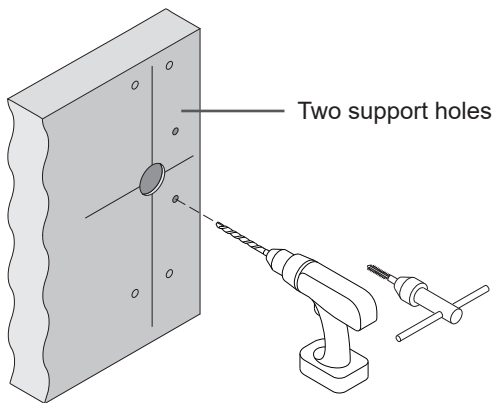
For active 780 and 785NL trims, use 1" diameter hole:
 Mark with template and cut out
 Metal door (cut thru)
 Wood door (cut thru)

6 Prepare 4 center case mounting holes.



WOOD	METAL	SURFACE MOUNT	OR	THROUGH BOLTS or 785 TRIM
		#25 #10-24 1/8" (3 mm) x 1" (25 mm) Deep	1/4" (6 mm) Device Side 1 3/32" (10 mm) Trim Side 1 3/32" (10 mm) Drill Thru	

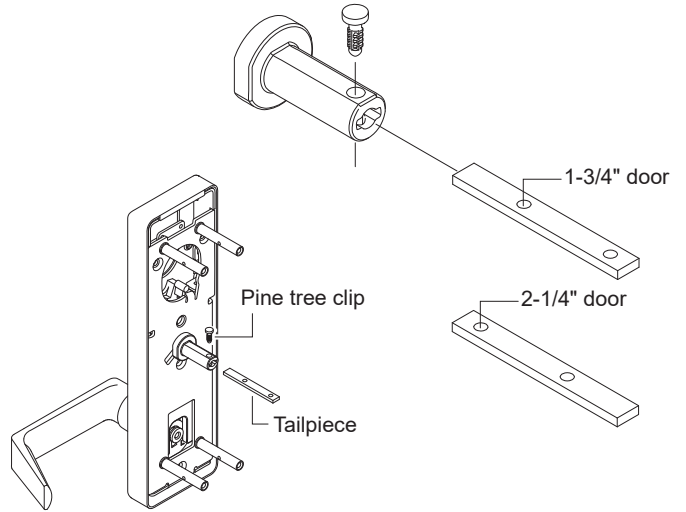
7 Prepare 2 center case support holes.



METAL	OR	WOOD
78 and 78-F #25 #10-24		78 1/8" (3 mm) x 1" (25 mm) Deep 78-F #825 Through bolts (2) required

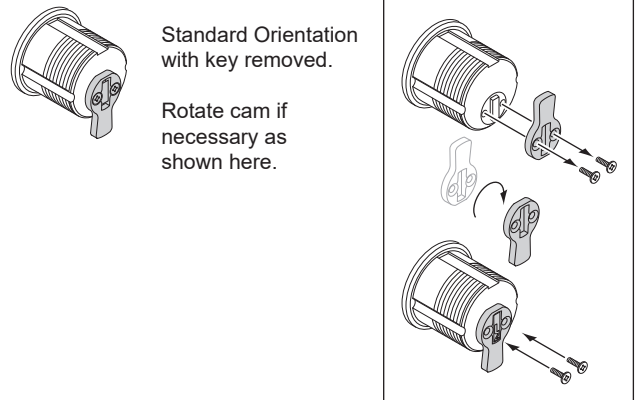
8 Adjust tailpiece length if needed.

Make sure tailpiece is installed at correct length for 1-3/4" thick or 2-1/4" thick door. If necessary, remove pine tree clip, rotate tailpiece, and reinstall pine tree clip.

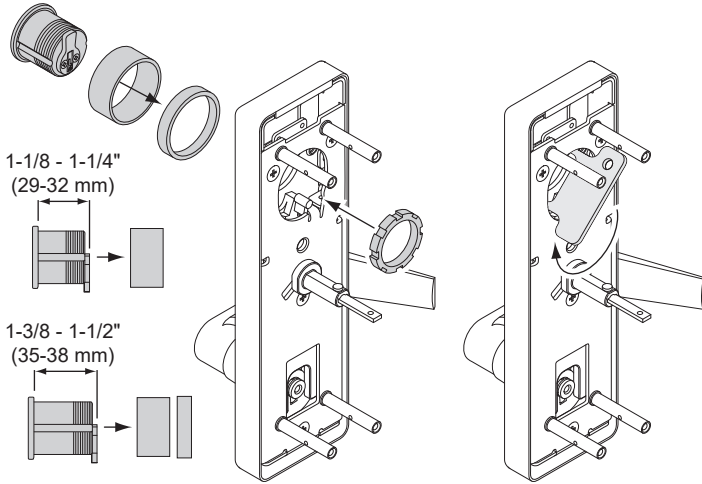


9 If using a cylinder, remove cam and rotate 180°.

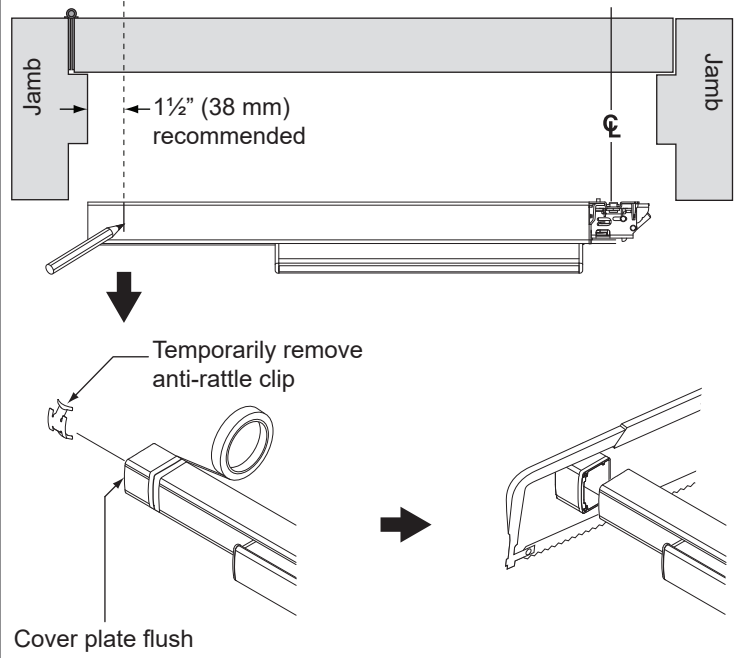
Cam must be in position shown **with key removed**. If necessary, remove cam screws, place cam in correct position, and reinstall cam screws.



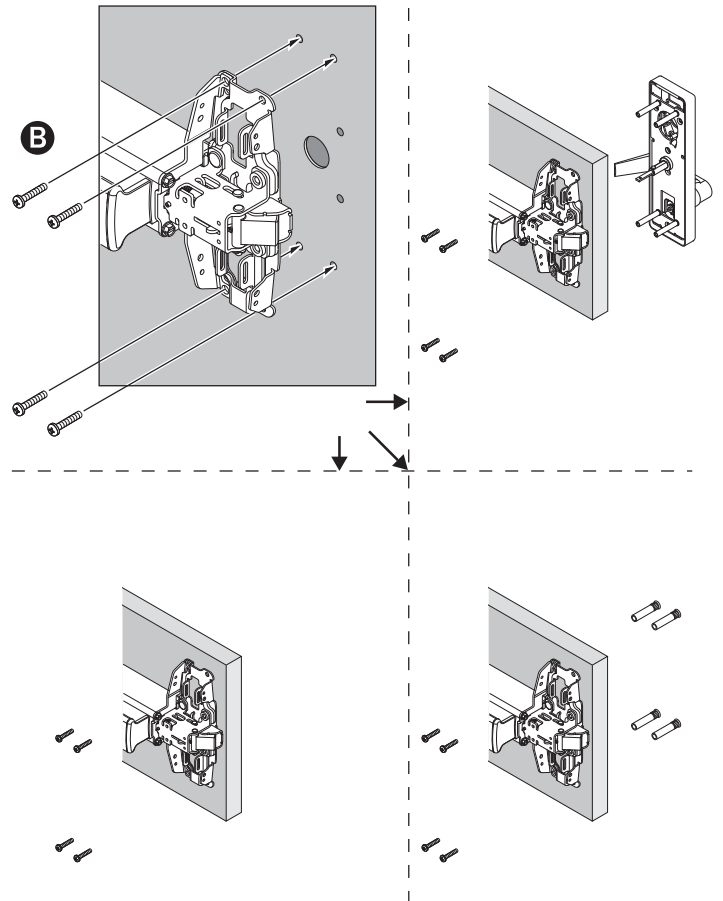
10 If necessary, install cylinder.



11 If necessary, cut device.

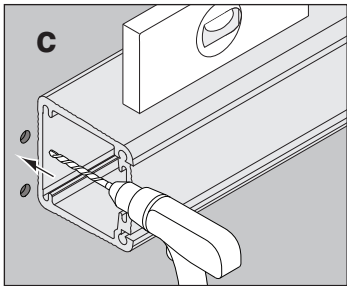
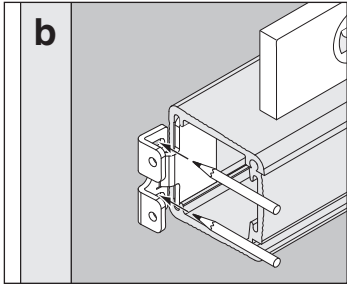
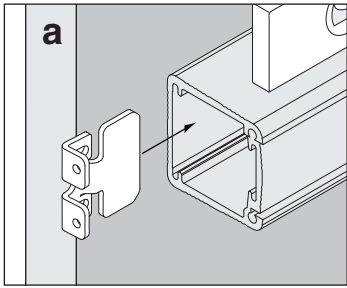


12 Attach center case to door.



13 Mark and prepare two (2) holes.

i Prepare holes after lock side of device is mounted and hinge side is leveled.

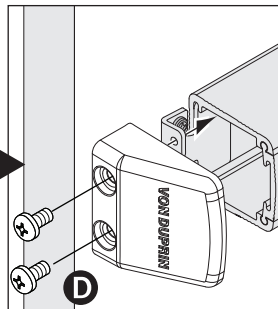
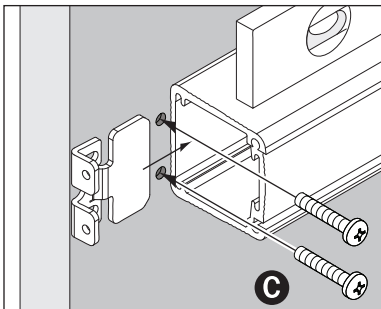


SURFACE MOUNT	
WOOD	#25
METAL	#10-24
1/8" (3 mm) x 1" (25 mm) Deep	

OR

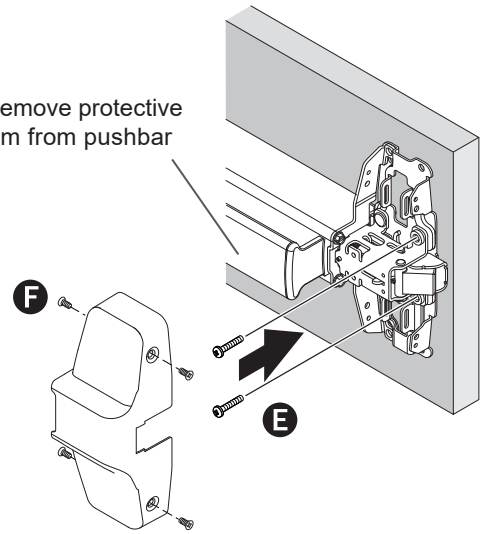
THROUGH BOLTS	
WOOD	1/4" (6 mm) Device Side
METAL	13/32" (10 mm) Trim Side
13/32" (10 mm) Drill Thru	

14 Install end cap bracket and end cap.



15 Install required support screws and center case cover.

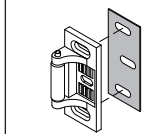
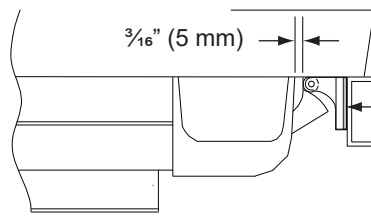
Remove protective film from pushbar



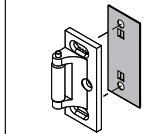
16 Adjust strike as needed.

299/299F Strike

Shim as needed

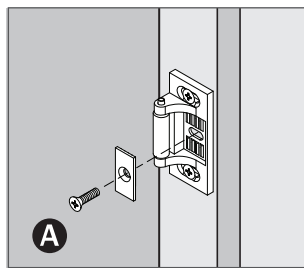


299

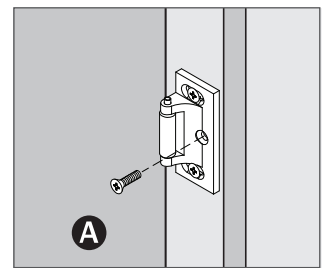


299F

17 Install strike support screw.



OR



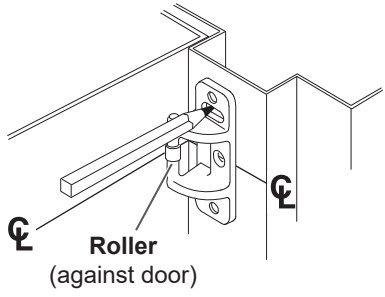
METAL

WOOD

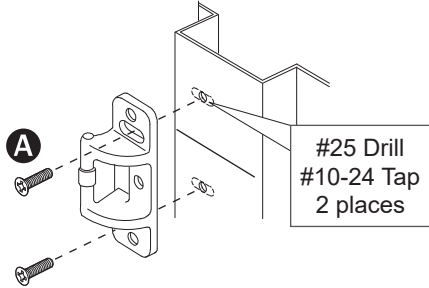
#25	1/8" (3 mm) x 1" (25 mm) Deep
#10-24	

499F STRIKE INSTALLATION

1. Prepare and install screws through two strike slots.



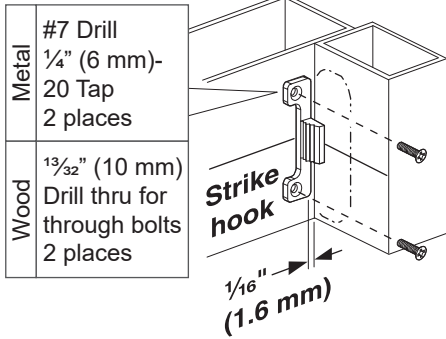
Roller
(against door)



#25 Drill
#10-24 Tap
2 places

i If using a mullion,
holes may be predrilled

2. Install strike hook and additional strike screws.

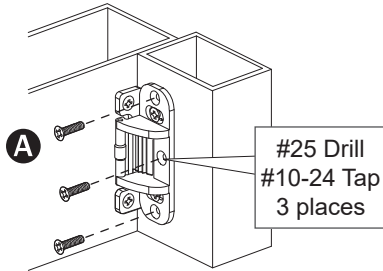


Metal
#7 Drill
1/4" (6 mm)-
20 Tap
2 places

Wood
1 3/32" (10 mm)
Drill thru for
through bolts
2 places

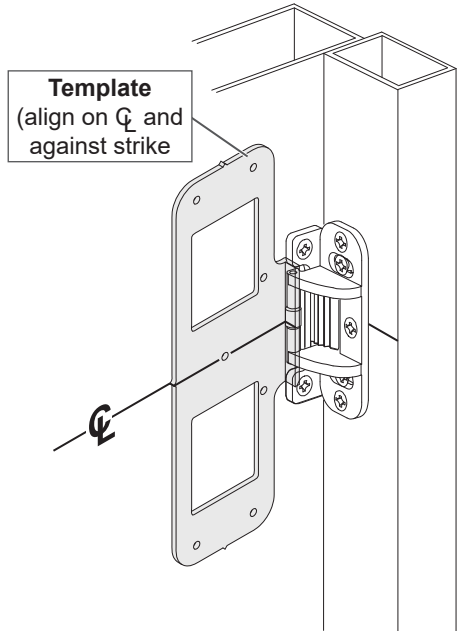
Strike hook

1/16"
(1.6 mm)



#25 Drill
#10-24 Tap
3 places

3. Template aligns as shown.



Template
(align on \bar{C} and
against strike)

CD (CYLINDER DOGGING) OPTION

